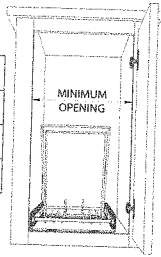


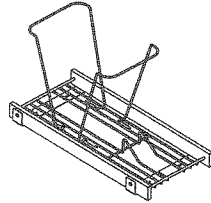
Minimum Opening:

MINIMUM OPENING	
CAN-EBMS	10-1/2"
CAN-EBMD	14-1/2"
CAN-EBMD50	15"

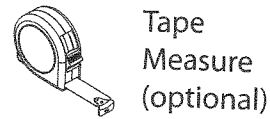
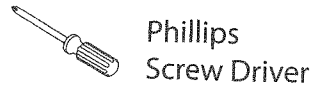


Included:

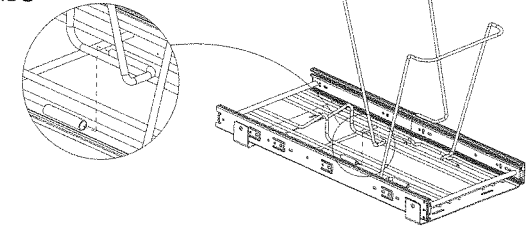
5/8" Screw (x4)



Tools Needed:

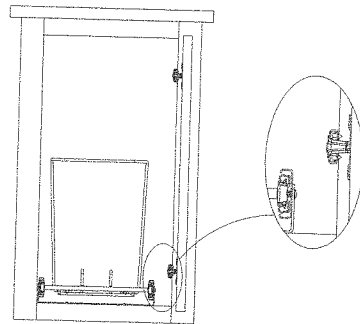
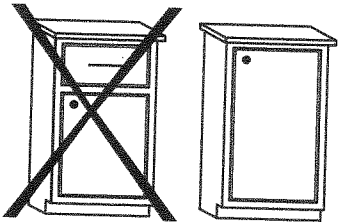


Assemble vertical supports:
Insert vertical supports into tubes
on organizer base

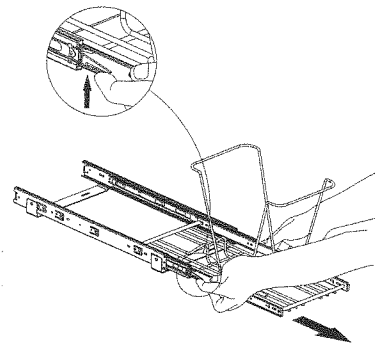


NOTE:

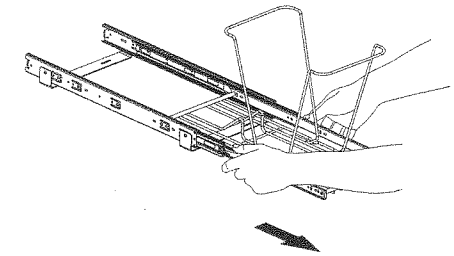
If using 50qt cans,
cabinet must be
full height (no
drawer).



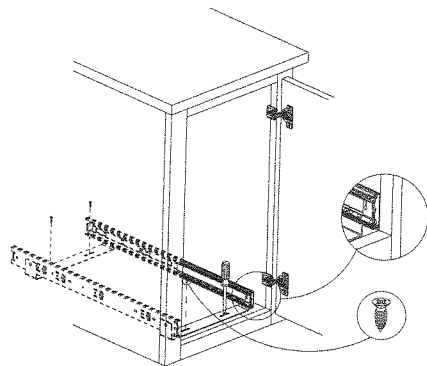
1. Make sure the cabinet
hinge will not interfere with
organizer when installed



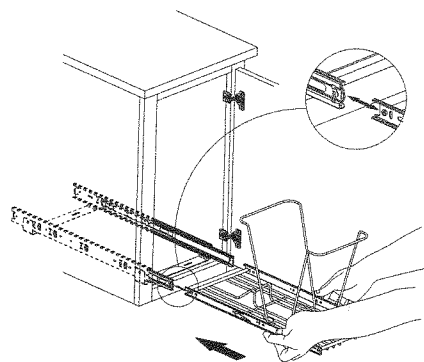
2. Release slide by pushing the
black trigger UP on the LEFT side
and DOWN on the RIGHT side



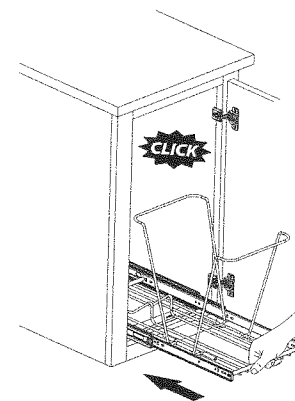
3. Remove organizer from slide
frame by pulling forward



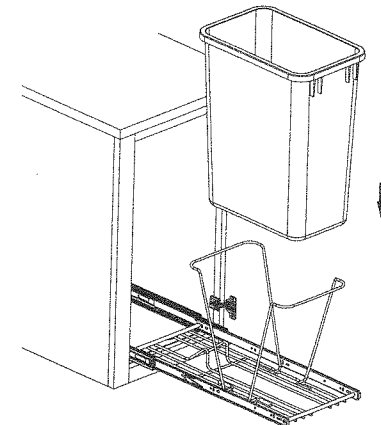
4. Align front of slide with inside lip of cabinet
5. Screw slide frame into cabinet with 4
included screws



6. Align and reinsert organizer
into slide frame



7. Push organizer into slide
frame until it CLICKS into place



8. Load trash can(s) into
organizer as shown