

SELECT

series

Thermofoil & Slab Doors - White Interiors

Cabinetsmith 
style • quality • affordability

Specification Guide & Price List

Pub. August/2024

Prices subject to change



DEALER PORTAL |

www.cabinetsmith.ca/dealer-portal

New to Cabinetsmith Dealer Portal? Sign up for free by clicking [HERE](#).

Dealers can find all necessary information on Cabinetsmith Series and Product offerings, Pricing Updates, Warranty Information, Lead Times, Online Ordering and Marketing Tools for your use.

TABLE OF CONTENTS |

Cabinetry, Accessories, Vanity Options, Laundry, Hardware

SELECT KITCHENS	PAGE
DOOR STYLES & MULTIPLIERS	3
SELECT CABINET SPECS	4
SELECT SERIES CABINETS	5-21
BASE CABINETS	6-10
WALL CABINETS	11-17
TALL CABINETS	18-21
ROLLOUT REFERENCE GUIDE	22-23
ACCESSORIES - MOULDINGS	24-26
ACCESSORIES - PANELS AND STRIPS	26-28
ACCESSORIES - STORAGE SOLUTIONS	29-31

SELECT ACCESSIBLE CABINETS	PAGE
DOOR STYLES & MULTIPLIERS / CABINET SPECS	32
CABINET OPTIONS	33-34

SELECT VANITIES	PAGE
SELECT VANITY OVERVIEW	36
DOOR STYLES & MULTIPLIERS	37
34.5"H VANITIES	38-40
34.5"H MODULAR VANITIES	41-43
30.5"H MODULAR VANITIES	44-47

SELECT PLUS VANITIES	PAGE
SELECT PLUS VANITY OVERVIEW	48
34.5"H VANITY COMBOS	49-51
VANITY TOP (CULTURED MARBLE/QUARTZ)	52

LAUNDRY COMBOS	PAGE
LAUNDRY TUB OVERVIEW & PRICING	53-55

COMPARISON CHART	PAGE
CABINETSMITH SERIES COMPARISON CHART	56

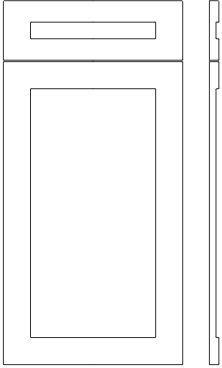
CABINETS HARDWARE	PAGE
KNOBS	58-59
PULLS	60-61

TERMS AND CONDITIONS	PAGE
CABINETSMITH TERMS & CONDITIONS	62
CABINETSMITH WARRANTY	63

CANADIAN PARTNERSHIPS |



HUNTSVILLE SHAKER



Specifications

- Construction – square routed (2-piece)
- Door Panel – square recessed
- Drawer front – square recessed
- Profile – bevel edge inside and outside

Notes/Details

- 5"H drawer fronts have 1" high centre panel
- ¾" Thermofoil
- *SSS door is on standard white gable and will have different texture than door.

White	SSW	1.65
Antique White	SSA	1.70
Chocolate Pear	SSC	1.75

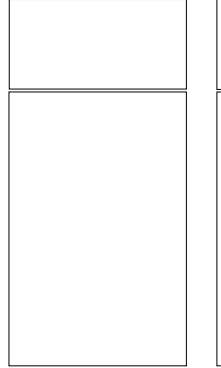
SOFT TOUCH

Dove	SSD	1.80
Willow	SSL	1.80

SMOOTH PAINT-LIKE FINISH

Smooth White	SSS	1.80
Charcoal	SSH	1.90

METRO SLAB



Specifications

- Construction – Square Slab
- Door Panel – slab
- Drawer Front – slab
- Profile – 90 degree square edge

Notes/Details

- ¾" Thermofoil
- No glass prep available

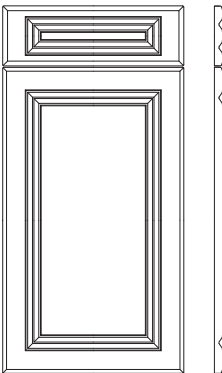
SMOOTH PAINT-LIKE FINISH

Smooth White	SMW	1.70
Charcoal	SMH	1.80

TEXTURED WOODGRAIN FINISH

Textured Banff	SMB	1.90
Textured Whistler	SMI	1.90

SIMCOE RAISED PANEL



Specifications

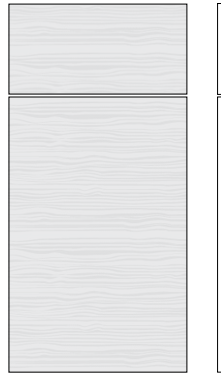
- Construction – square routed
- Door Panel – square routed raised
- Drawer Front – square routed raised
- Profile – sculpted outside edge

Notes/Details

- ¾" Thermofoil

White	TSW	1.55
-------	-----	------

INSPIRE SLAB



Specifications

- Construction – slab melamine with 1/8" thick woodgrain PVC edging
- Door Panel – slab
- Drawer Front – slab
- Profile – 90 degree square edge

Notes/Details

- No glass prep available
- Horizontal Grain Pattern for doors, drawers, base gables, wall gables, accessories, overlay panels.
- Vertical Grain Pattern for all Tall cabinets pantry, broom, utility hutch, oven, 96" filler.

Arctic	IAR	1.70
Cliffstone	ICS	
Black River	IBR	

Quick Facts on Thermofoil Doors

Thermofoil doors and drawer fronts are constructed from one piece ¾" thick medium density fiberboard. The profile detail is routed into the fiberboard, then covered in 12-16mil thick thermofoil vinyl material. (White 12mil / Colours 16mil). Thermofoil vinyl material is applied with a specially formulated 2 part PUR adhesive to withstand heat of 110 degrees Celsius.

SELECT series



Standard Features |

INTERIOR COLOUR <i>*Top/Bottom/Rails & Drawers</i>	WHITE
EXTERIOR SIDE COLOUR	White
INTERIOR COLOUR <i>*Cabinet Sides</i>	White
VERTICAL EDGE TAPING <i>*Exterior Side</i>	See complete chart
HORIZONTAL EDGE TAPING	White
SOFT CLOSE HINGES	✓
SOFT CLOSE METABOX DRAWERS	✓

UPGRADE TO:
Intero Drawer (full extension, soft close)

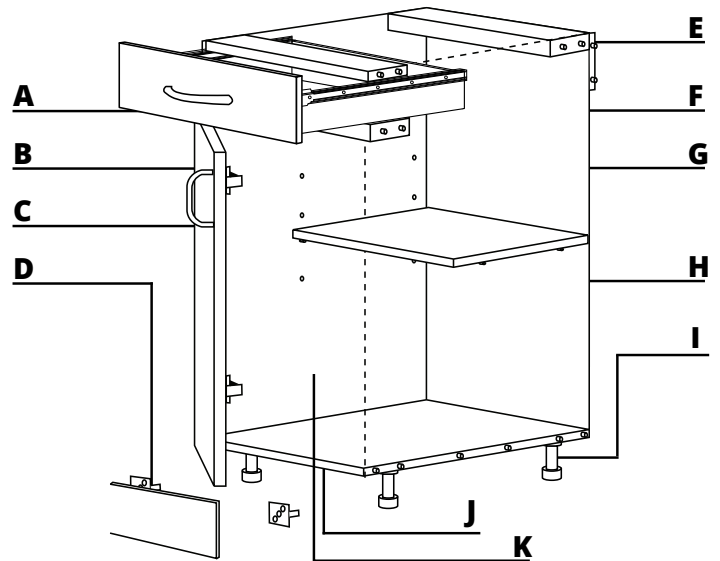


COLOUR	Edgetape (Vertical)
White (SSW / TSW)	WHITE
Smooth White (SSS / SMW)	
Antique White (SSA)	
Dove (SSD)	
Willow (SSL)	
Whistler (SMI)	
Cliffstone (ICS)	
Arctic (IAR)	
Chocoalte Pear (SSC)	
Banff (SMB)	
Black River (IBR)	CHARCOAL
Charcoal (SSH / SMH)	CHARCOAL

QUALITY CABINETRY | Construction

***TOP DRAWER/FALSE FRONT IS 5"H.**

- A** Soft Close Metabox (Epoxy Coated Steel Drawer Sides)
- B** 100% Melamine Interiors
- C** Soft Close Hinges
- D** ½" Clip-on Melamine Toekick
- E** 1½" Support Rails (Excluding Drawer Banks)
- F** ⅛" Backing on all Cabinets
- G** 10⅞" Deep Adjustable Cabinet Shelves ⅝" with locking clips
- H** Dowel and Glue Cabinet Construction
- I** Base Cabinets on Adjustable Leg *Min: 3¾" Max: 5¼"
- J** Maple horizontal edge to match with interior of cab
- K** Gable Height is 30¼" H



NOTE: Cabinetsmith dimensions are subject to a +/- 2mm tolerance.

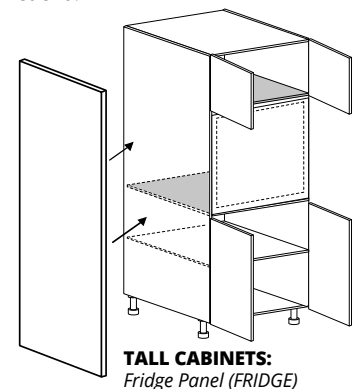
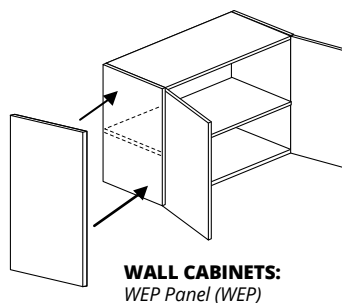
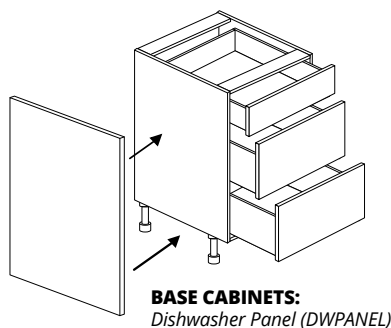
Exposed base end cabinets will require repositioning of legs to accommodate toe-kick return or purchase of base end panel.

OVERLAY PANELS | Reference Guide

Overlay panels may be required for a finished look to your kitchen if customers would like a colour match to their cabinet end.

Below is a quick visual reference for which accessory panels **are required** for each cabinet category.

(Note: **NOT** required on White Door orders as Cabinet end panels will match white.)



Cabinetsmith 
style • quality • affordability

SELECT series

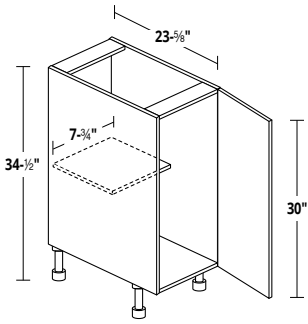
KITCHEN CABINETS

**PRICING SHOWN IN LIST.
USE DOOR MULTIPLIERS LOCATED ON PAGE 3.**

**BASE CABINETS | PAGES. 6-10
WALL CABINETS | PAGES. 11-17
TALL/PANTRY CABINETS | PAGES. 18-21**

BASE CABINETS

24" DEEP SINGLE FULL HEIGHT DOOR BASE



SIZE / SKU	PRICE
9"W BH09 (L/R)	\$161
12"W BH12 (L/R)	\$178
13.5"W BH13.5 (L/R)	\$186
15"W BH15 (L/R)	\$186
16.5"W BH16.5 (L/R)	\$203
18"W BH18 (L/R)	\$203
21"W BH21 (L/R)	\$220

STANDARD FEATURES

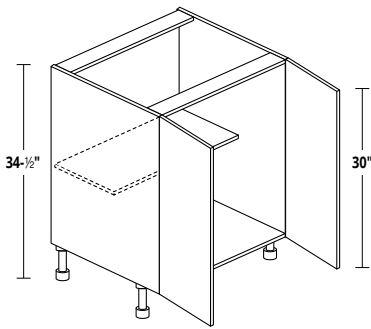
Half-depth adjustable shelf (x1).
Minimum Cabinet size for Rollouts is 13.5" W.
Rollout locations are predetermined.

UPGRADES PRICE

Metabox Rollout (x2) \$202

See additional accessories available on page 30-31.

24" DEEP DOUBLE FULL HEIGHT DOOR BASE



SIZE / SKU	PRICE
24"W BH24	\$254
27"W BH27	\$271
30"W BH30	\$288
33"W BH33	\$305
36"W BH36	\$322

STANDARD FEATURES

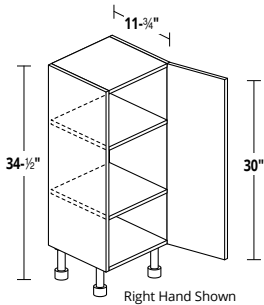
Half-depth adjustable shelf (x1).
Rollout locations are predetermined.

UPGRADES PRICE

Metabox Rollout (x2) \$264

See additional accessories available on page 30-31.

12" DEEP SINGLE FULL HEIGHT DOOR BASE

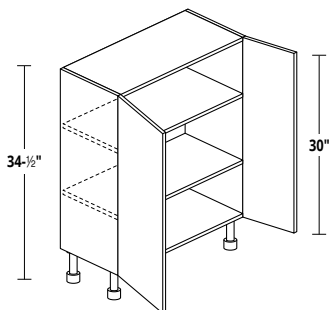


SIZE / SKU	PRICE
9"W BFH0912 (L/R)	\$161
12"W BFH1212 (L/R)	\$169
13.5"W BFH13.512 (L/R)	\$178
15"W BFH1512 (L/R)	\$178
16.5"W BFH16.512 (L/R)	\$186
18"W BFH1812 (L/R)	\$186
21"W BFH2112 (L/R)	\$195

STANDARD FEATURES

Adjustable shelf (x2).

12" DEEP DOUBLE FULL HEIGHT DOOR BASE

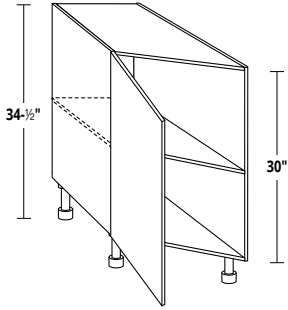


SIZE / SKU	PRICE
24"W BFH2412	\$245
27"W BFH2712	\$254
30"W BFH3012	\$262
33"W BFH3312	\$271
36"W BFH3612	\$279

STANDARD FEATURES

Adjustable shelf (x2).

TRANSITIONAL END BASE

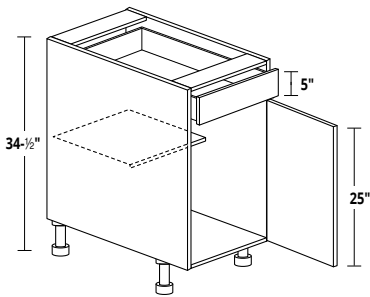


SIZE / SKU	PRICE
12"W BTE12 (L/R)	\$322

STANDARD FEATURES

Adjustable shelf (x1).
If using this cabinet in your design *do not* measure for counter top until base cabinets are installed.

24" DEEP SINGLE DRAWER/DOOR BASE



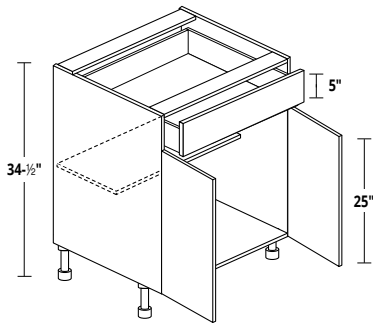
SIZE / SKU	PRICE
12"W BD12 (L/R)	\$224
13.5"W BD13.5 (L/R)	\$241
15"W BD15 (L/R)	\$241
16.5"W BD16.5 (L/R)	\$258
18"W BD18 (L/R)	\$258
21"W BD21 (L/R)	\$275

STANDARD FEATURES

Half-depth adjustable shelf (x1).
Metabox drawer box system.
Minimum Cabinet size for Rollouts is 13.5"W.

UPGRADES	PRICE
Metabox Rollout (x2)	\$202
Intero Drawer	\$93

24" DEEP DOUBLE DRAWER/DOOR BASE



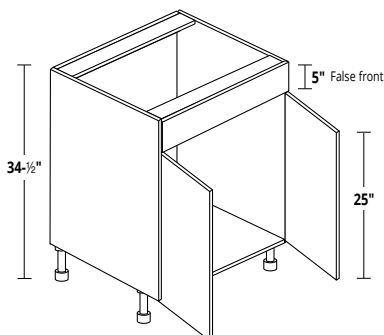
SIZE / SKU	PRICE
24"W BD24	\$308
27"W BD27	\$325
30"W BD30	\$342
33"W BD33	\$359
36"W BD36	\$376

STANDARD FEATURES

Half-depth adjustable shelf (x1).
Metabox drawer box system.
Minimum Cabinet size for Rollouts is 13.5"W.

UPGRADES	PRICE
Metabox Rollout (x2)	\$264
Intero Drawer	\$93

24" DEEP SINK BASE



SIZE / SKU	PRICE
24"W SB24	\$262
27" W SB27	\$279
30" W SB30	\$288
33" W SB33	\$305
36" W SB36	\$322

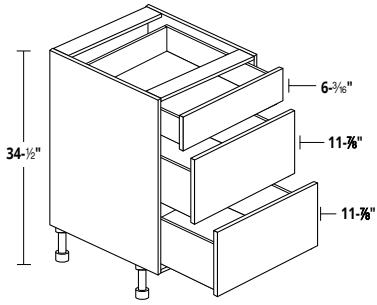
STANDARD FEATURES

5" Height sink front.
Back panel included.
No shelf.

UPGRADES	PRICE
Tip Out Tray (SFT)	\$80

BASE CABINETS

24" DEEP 3 DRAWER BASE



SIZE / SKU	PRICE
12"W DB12-3	\$342
15"W DB15-3	\$376
18"W DB18-3	\$393
21"W DB21-3	\$427
24"W DB24-3	\$452
27"W DB27-3	\$469
30"W DB30-3	\$478
33"W DB33-3	\$503

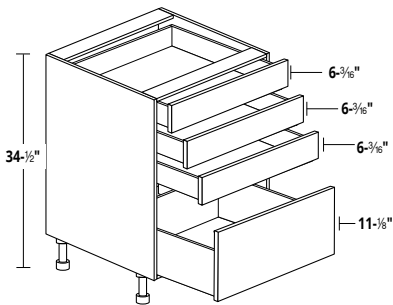
STANDARD FEATURES

Metabox drawer box system.

UPGRADES

Interio Drawers (x3) \$279

24" DEEP 4 DRAWER BASE



SIZE / SKU	PRICE
12"W DB12-4	\$405
15"W DB15-4	\$439
18"W DB18-4	\$464

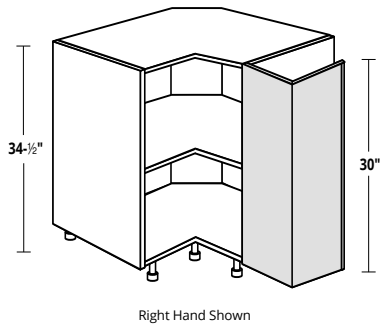
STANDARD FEATURES

Metabox drawer box system.

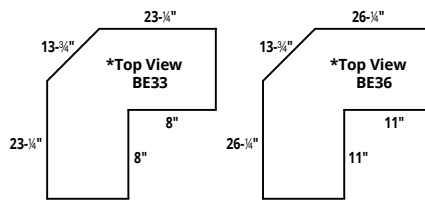
UPGRADES

Interio Drawers (x4) \$372

EASY REACH CORNER (L/R)



SIZE / SKU	PRICE
33"W BE33 (L/R)	\$423
36"W BE36 (L/R)	\$440



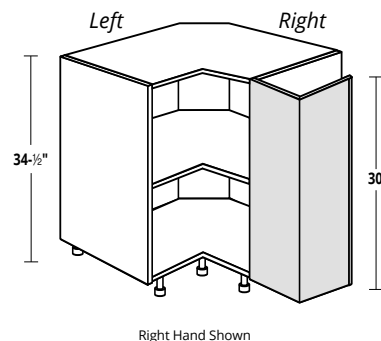
STANDARD FEATURES

Full-depth adjustable shelf (x1).
5/8" Back panel.
2 bifold hinges.

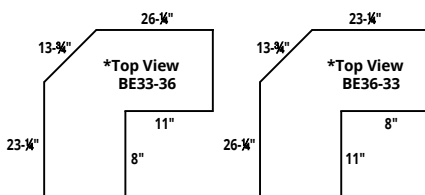
UPGRADES

Lazy Susan PVC (33") \$189
Lazy Susan PVC (36") \$229
Lazy Susan Wire (33") \$445
Lazy Susan Wire (36") \$475

EASY REACH CORNER OFFSET (L/R)



SIZE / SKU	PRICE
(L33-R36) BE33-36 (L/R)	\$508
(L36-R33) BE36-33 (L/R)	\$508



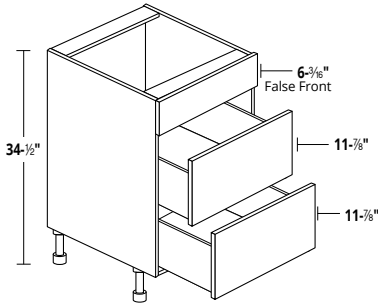
STANDARD FEATURES

Full-depth adjustable shelf (x1).
5/8" Back panel.
2 bifold hinges.

UPGRADES

Lazy Susan PVC (33") \$189
Lazy Susan Wire (33") \$445

24" DEEP COOKTOP BASE



SIZE / SKU	PRICE
30"W BC30	\$483
33"W BC33	\$508

: SSW/SSS/SMW/TSW ONLY
(WHITE DOOR STYLE ONLY)

STANDARD FEATURES

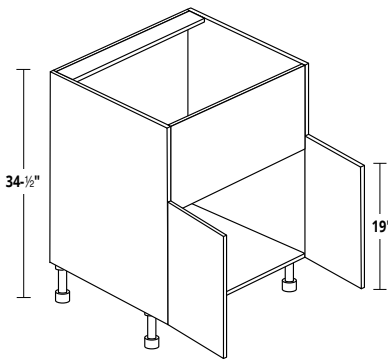
Metabox Drawer System.

UPGRADES

UPGRADES	PRICE
Interio Drawers (x2)	\$186

Note: Refer to the Manufacturers specs regarding installation requirements of any appliances.

APRON SINK BASE CABINET



SIZE / SKU	PRICE
30"W SBAP30	\$289
33"W SBAP33	\$306
36"W *SBAP36	\$323

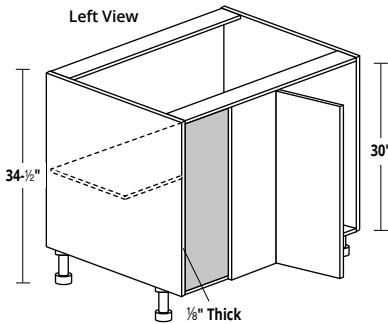
*SBAP36 has a potential combined weight capacity of 300lbs - this includes weight of the sink, full of water and dishes. So the weight of the sink should be no more than 200lbs. **If there is concern, the installers can install an additional gable inside the cabinet in the middle, as well as reinforce under the cabinet behind the toe kick.

STANDARD FEATURES

Front Apron Panel 13"H but 11-3/8"H exposed.
Back panel included.
No shelf.

Note: Refer to the Manufacturers specs regarding installation requirements of any appliances.

BLIND CORNER 39" - 48"

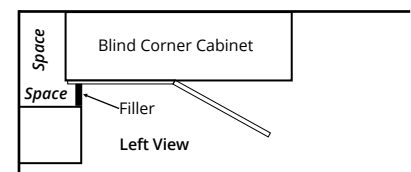


SIZE / SKU	PRICE
39"W BBH39 (3" pull) L/R	\$288
42"W BBH42 (6" pull) L/R	\$305
45"W BBH45 (9" pull) L/R	\$322
48"W BBH48 (12" pull) L/R	\$373

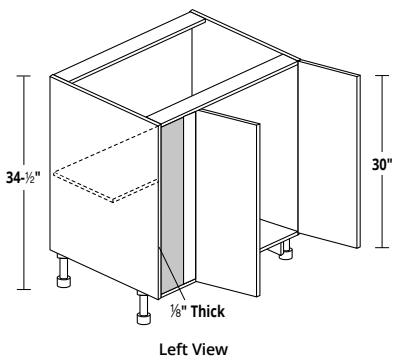
Cab	Wall Space to Fill	Door Size	Fill Req.	Min Pull	Max Pull
BBH39	39-42"	12"	3"	3"	5"
BBH42	42-44"	15"	3"	6"	8"
BBH45	45-47"	18"	3"	9"	11"
BBH48	48-50"	21"	3"	12"	14"

STANDARD FEATURES

Half-depth adjustable shelf (x1).
36" Wide Cabinet Box.
Back Panel.
Filler to be ordered separately.



BLIND CORNER 51" - 63"

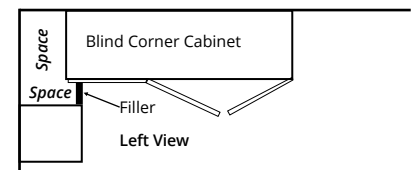


SIZE / SKU	PRICE
51"W BBH51 (2" pull) L/R	\$390
54"W BBH54 (6" pull) L/R	\$407
60"W BSB60 (12" pull) L/R	\$424
63"W BSB63 (15" pull) L/R	\$458

Cab	Wall Space to Fill	Door Size	Fill Req.	Min Pull	Max Pull
BBH51	51-53"	2X 12"	3"	3"	5"
BBH54	54-56"	2X 13.5"	3"	6"	8"
BSB60	60-62"	2X 16.5"	3"	12"	14"
BSB63	63-65"	2X 18"	3"	15"	17"

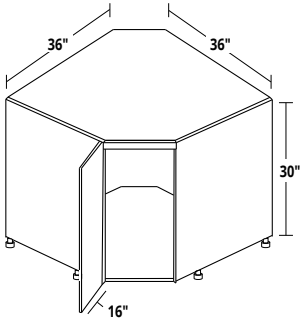
STANDARD FEATURES

Half-depth adjustable shelf (x1).
48" Wide Cabinet Box.
Back Panel.
Filler to be ordered separately.



BASE CABINETS

ANGLED SINK CORNER



SIZE / SKU

36"W BSA36 (L/R)

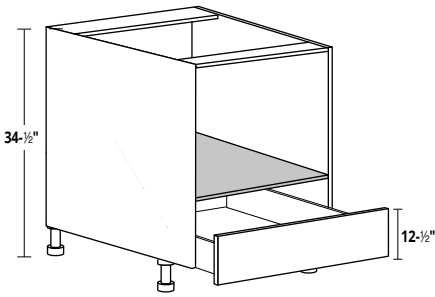
PRICE

\$475

STANDARD FEATURES

Solid Top and Bottom.
Largest Sink 27"W (Sink & 1/2").
No shelf.
Note: This is an assembled unit.

MICROWAVE BASE CABINET



SIZE / SKU

24"W BMD24

PRICE

\$428

30"W BMD30

\$454

Note: Matching Interior not available in Smooth White (SMW). Cabinet will have different texture than Smooth White (SMW & SSS).

STANDARD FEATURES

Metabox drawer box system.
Matching Interior.

UPGRADES

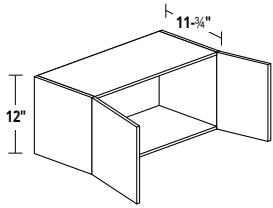
Intero Drawer

PRICE

\$93

Cabinetsmith 
style • quality • affordability

12" HIGH WALL

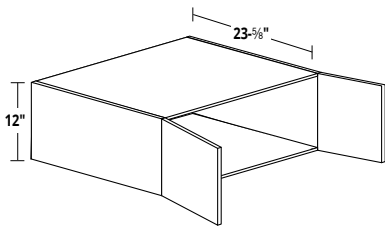


SIZE / SKU	PRICE
30"W W3012	\$177
33"W W3312	\$186
36"W W3612	\$194

STANDARD FEATURES

Designed for use over sink, range or refrigerator.
No shelf included.

12" HIGH REFRIGERATOR WALL



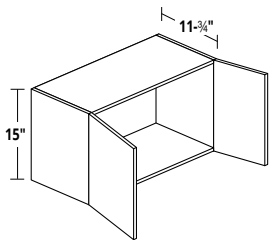
SIZE / SKU	PRICE
30"W W3012-24	\$214
33"W W3312-24	\$225
36"W W3612-24	\$235

STANDARD FEATURES

Designed for use over sink, range or refrigerator.
No shelf included.

NOTE: 24" Deep Wall Cabinets must be secured to an adjacent 24" deep Tall Cabinet (Broom, Pantry, Hutch) and an adjacent Wall Cabinet. Cabinet cannot stand alone or at the return end of a run unless supported by a refrigerator panel.

15" HIGH WALL

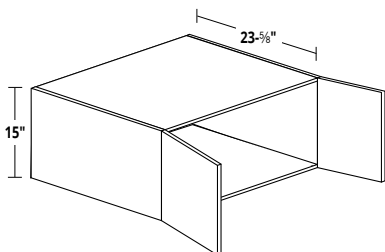


SIZE / SKU	PRICE
24"W W2415	\$169
27"W W2715	\$177
30"W W3015	\$186
33"W W3315	\$194
36"W W3615	\$203

STANDARD FEATURES

Designed for use over sink, range, above microwave shelf or refrigerator.
No shelf included.

15" HIGH REFRIGERATOR WALL



SIZE / SKU	PRICE
24"W W2415-24	\$203
27"W W2715-24	\$211
30"W W3015-24	\$220
33"W W3315-24	\$228
36"W W3615-24	\$237

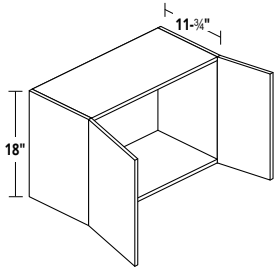
STANDARD FEATURES

Designed for use over the refrigerator.
No shelf included.

NOTE: 24" Deep Wall Cabinets must be secured to an adjacent 24" deep Tall Cabinet (Broom, Pantry, Hutch) and an adjacent Wall Cabinet. Cabinet cannot stand alone or at the return end of a run unless supported by a refrigerator panel.

WALL CABINETS

18" HIGH WALL

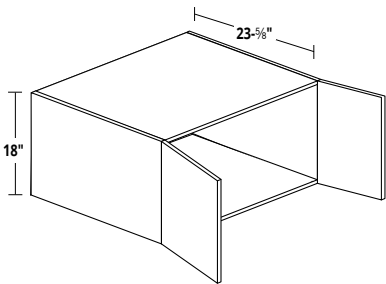


SIZE / SKU	PRICE
24"W W2418	\$186
30"W W3018	\$203
33"W W3318	\$220
36"W W3618	\$228

STANDARD FEATURES

Designed for use over the sink, range, or the refrigerator.
No shelf included.

18" HIGH REFRIGERATOR WALL



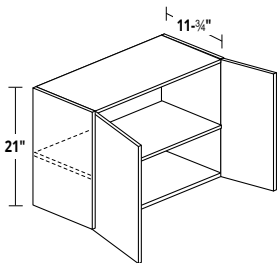
SIZE / SKU	PRICE
24"W W2418-24	\$228
30"W W3018-24	\$245
33"W W3318-24	\$262
36"W W3618-24	\$271

STANDARD FEATURES

Designed for use over the refrigerator.
No shelf included.

NOTE: 24" Deep Wall Cabinets must be secured to an adjacent 24" deep Tall Cabinet (Broom, Pantry, Hutch) and an adjacent Wall Cabinet. Cabinet cannot stand alone or at the return end of a run unless supported by a refrigerator panel.

21" HIGH WALL

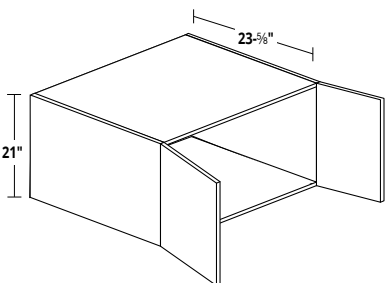


SIZE / SKU	PRICE
24"W W2421	\$206
30"W W3021	\$213
33"W W3321	\$220
36"W W3621	\$228

STANDARD FEATURES

Designed for use over the sink, range, or the refrigerator.
Adjustable Shelf (x1).

21" HIGH REFRIGERATOR WALL



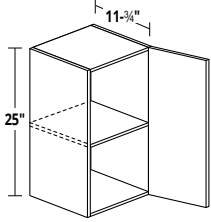
SIZE / SKU	PRICE
30"W W3021-24	\$259
33"W W3321-24	\$267
36"W W3621-24	\$277

STANDARD FEATURES

Designed for use over the refrigerator.
No shelf included.

NOTE: 24" Deep Wall Cabinets must be secured to an adjacent 24" deep Tall Cabinet (Broom, Pantry, Hutch) and an adjacent Wall Cabinet. Cabinet cannot stand alone or at the return end of a run unless supported by a refrigerator panel.

25" HIGH SINGLE DOOR WALL

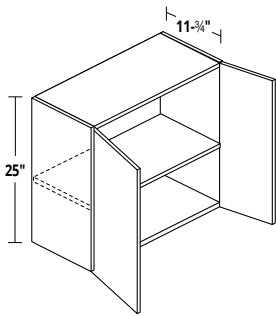


SIZE / SKU	PRICE
12"W W1225 (L/R)	\$186
15"W W1525 (L/R)	\$203
18"W W1825 (L/R)	\$220
21"W W2125 (L/R)	\$228

STANDARD FEATURES

Adjustable shelf x1

25" HIGH DOUBLE DOOR WALL

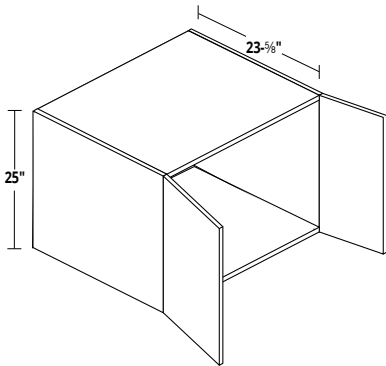


SIZE / SKU	PRICE
24"W W2425	\$208
27"W W2725	\$214
30"W W3025	\$223
33"W W3325	\$230
36"W W3625	\$238

STANDARD FEATURES

Designed for use over the sink, range, or the refrigerator.
Adjustable shelf x1.

25" HIGH REFRIGERATOR WALL



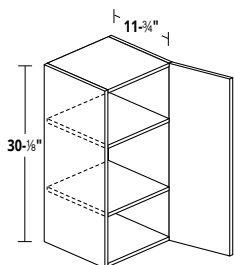
SIZE / SKU	PRICE
30"W W3025-24	\$274
33"W W3325-24	\$282
36"W W3625-24	\$293

STANDARD FEATURES

Designed for use over the refrigerator.
No shelf included.

NOTE: 24" Deep Wall Cabinets must be secured to an adjacent 24" deep Tall Cabinet (Broom, Pantry, Hutch) and an adjacent Wall Cabinet. Cabinet cannot stand alone or at the return end of a run unless supported by a refrigerator panel.

30" HIGH SINGLE DOOR WALL



SIZE / SKU	PRICE
9"W W0930 (L/R)	\$144
12"W W1230 (L/R)*	\$152
13.5"W W13.530 (L/R)	\$161
15"W W1530 (L/R)*	\$161
16.5"W W16.530 (L/R)*	\$169
18"W W1830 (L/R)*	\$169
21"W W2130 (L/R)	\$178

STANDARD FEATURES

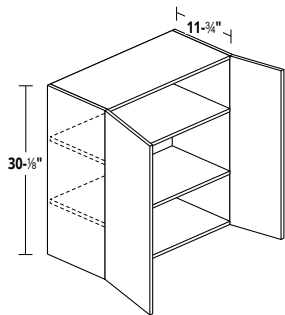
Adjustable shelf x2.

UPGRADES	PRICE
Prepped for Glass	\$39
Matching Interior	\$148

NOTE: Glass prep and/or matching interior available only in cab sizes marked by *. Matching interior & glass prep are not available in Metro Smooth (SMW)

WALL CABINETS

30" HIGH DOUBLE DOOR WALL



SIZE / SKU	PRICE
24"W W2430*	\$228
27"W W2730	\$237
30"W W3030*	\$245
33"W W3330*	\$254
36"W W3630*	\$262

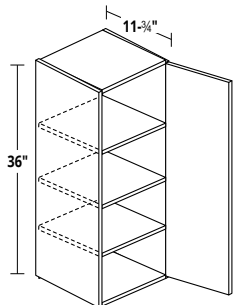
STANDARD FEATURES

Adjustable Shelf (x2).

UPGRADES	PRICE
Prepped for Glass	\$78
Matching Interior	\$179

NOTE: Glass prep and/or matching interior available only in cab sizes marked by*. Matching interior & glass prep are not available in Inspire and Metro Smooth.

36" HIGH SINGLE DOOR WALL | (SSW / SSD / SSL / SSS / SSH / SMB / SMH / SMI / SMW DOORS ONLY.)



Right Hinge Shown

SIZE / SKU	PRICE
9"W W0936 (L/R)	\$178
12"W W1236 (L/R)*	\$189
13.5"W W13.536 (L/R)	\$200
15"W W1536 (L/R)*	\$200
16.5"W W16.536 (L/R)*	\$210
18"W W1836 (L/R)*	\$210
21"W W2136 (L/R)	\$229

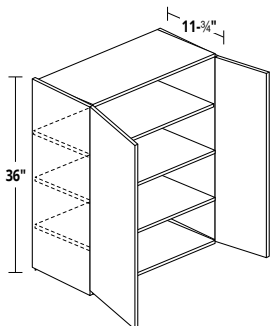
STANDARD FEATURES

Adjustable Shelf (x3).

UPGRADES	PRICE
Prepped for Glass	\$47
Matching Interior	\$171

NOTE: Glass prep and/or matching interior available only in cab sizes marked by*. Matching interior & glass prep are not available in Metro Smooth (SMW).

36" HIGH DOUBLE DOOR WALL | (SSW / SSD / SSL / SSS / SSH / SMB / SMH / SMI / SMW DOORS ONLY.)



SIZE / SKU	PRICE
24"W W2436*	\$282
27"W W2736	\$293
30"W W3036*	\$303
33"W W3336*	\$313
36"W W3636*	\$325

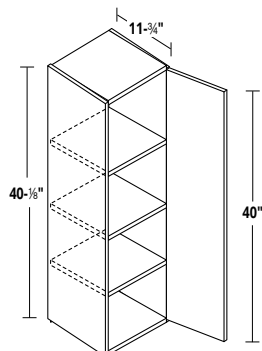
STANDARD FEATURES

Adjustable Shelf (x3).

UPGRADES	PRICE
Prepped for Glass	\$93
Matching Interior	\$202

NOTE: Glass prep and/or matching interior available only in cab sizes marked by*. Matching interior & glass prep are not available in Metro Smooth (SMW).

40" HIGH SINGLE DOOR WALL



Right Hinge Shown

SIZE / SKU	PRICE
9"W W0940 (L/R)	\$213
12"W W1240 (L/R)*	\$226
13.5"W W13.540 (L/R)	\$238
15"W W1540 (L/R)*	\$238
16.5"W W16.540 (L/R)*	\$250
18"W W1840 (L/R)*	\$250
21"W W2140 (L/R)	\$262

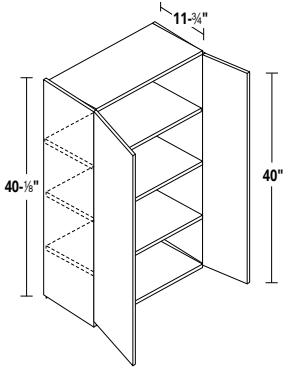
STANDARD FEATURES

Adjustable Shelf (x3).

UPGRADES	PRICE
Prepped for Glass	\$55
Matching Interior	\$179

NOTE: Glass prep and/or matching interior available only in cab sizes marked by*. Matching interior & glass prep are not available in Metro Smooth (SMW).

40" HIGH DOUBLE DOOR WALL



SIZE / SKU	PRICE
24"W W2440*	\$341
27"W W2740	\$353
30"W W3040*	\$365
33"W W3340*	\$378
36"W W3640*	\$390

STANDARD FEATURES

Adjustable Shelf x3.

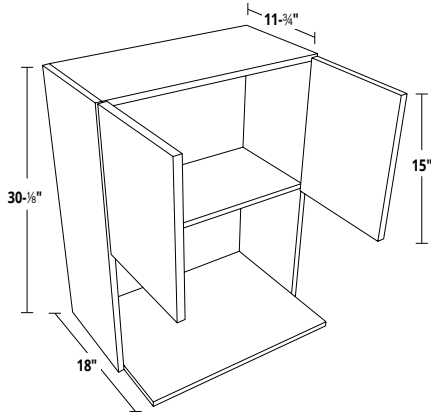
UPGRADES

PRICE

Prepped for Glass	\$109
Matching Interior	\$179

NOTE: Glass prep and/or matching interior available only in cab sizes marked by *. Matching interior & glass prep are not available in Inspire and Metro Smooth.

30" HIGH WALL MICROWAVE SHELF | AVAILABLE IN WHITE DOORS ONLY.



SIZE / SKU	PRICE
24"W WMS2430	\$262

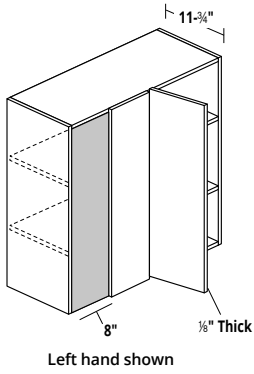
STANDARD FEATURES

No shelf.

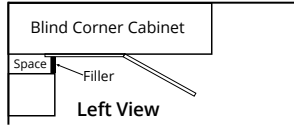
NOTE: Matching interior not available in Smooth White (SSS).

WALL CORNER CABINETS

30" / 36" / 40" HIGH SINGLE DOOR BLIND CORNER WALL



SIZE / SKU		30"H	36"H	40"H
24"W	WB2430 (L/R)	\$203	\$257	\$315
27"W	WB2730 (L/R)	\$211	\$265	\$322
30"W	WB3030 (L/R)	\$220	\$276	\$332
33"W	WB3330 (L/R)	\$228	\$284	\$343
36"W	WB3630 (L/R)	\$237	\$294	\$355



SSW / SSD /
SSL / SSS / SSH
/ SMB / SMI /
SMW ONLY

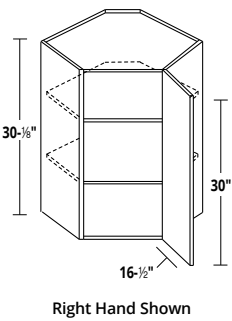
STANDARD FEATURES

Adjustable Shelf (x2).
Box size is as indicated.
Filler to be ordered separately.

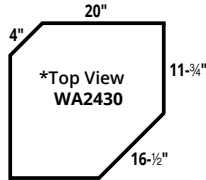
Cab	Wall Space to Fill	Door Size	Fill Req.	Min Pull	Max Pull
WB2430	24-26"	9"	3"	0"	2"
WB2730	27-29"	12"	3"	0"	2"
WB3030	30-32"	15"	3"	0"	2"
WB3330	33-35"	18"	3"	0"	2"
WB3630	36-38"	21"	3"	0"	2"

Wall blind box sizes are as stated, pulling is optional.
Subject to site conditions.

30" HIGH ANGLE CORNER WALL



SIZE / SKU	PRICE
12"D WA2430 (L/R)	\$313



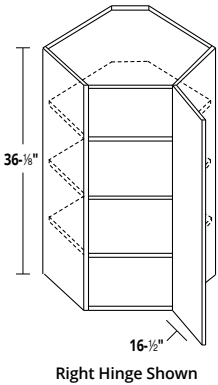
STANDARD FEATURES

Adjustable Shelf (x2).
5/8" Back Panel.

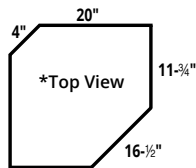
UPGRADES	PRICE
Prepped for Glass	\$39
Matching Interior	\$248

NOTE: Glass prep and/or matching interior not available in Inspire and Metro Smooth.

36" HIGH ANGLE CORNER WALL | (SSW / SSD / SSL / SSS / SSH / SMB / SMH / SMI / SMW DOORS ONLY.)



SIZE / SKU	PRICE
12"D WA2436 (L/R)	\$422



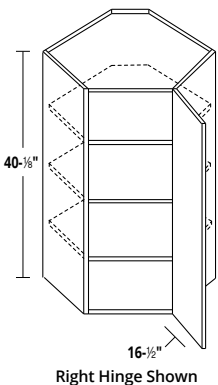
STANDARD FEATURES

Adjustable Shelf (x3).
5/8" Back Panel.

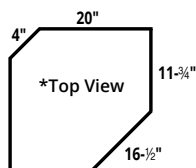
UPGRADES	PRICE
Prepped for Glass	\$47
Matching Interior	\$303

NOTE: Glass prep and/or matching interior not available in Metro Smooth (SMW).

40" HIGH ANGLE CORNER WALL



SIZE / SKU	PRICE
12"D WA2440 (L/R)	\$513



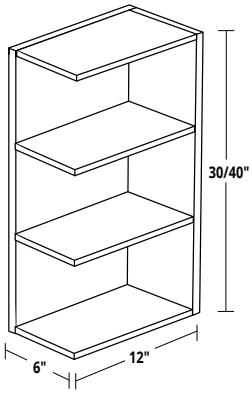
STANDARD FEATURES

Adjustable Shelf (x3).
5/8" Back Panel.

UPGRADES	PRICE
Prepped for Glass	\$55
Matching Interior	\$365

NOTE: Glass prep and/or matching interior not available in Inspire and Metro Smooth.

CORNER SHELF



SIZE / SKU

30"H	CS-WESC1206-30-
36"H	CS-WESC1206-36-
40"H	CS-WESC1206-40-

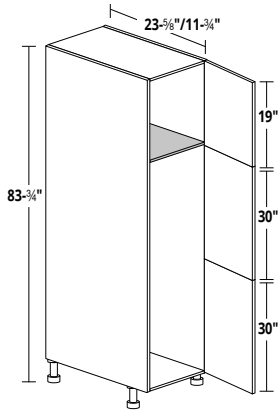
STANDARD FEATURES

Universal left or right.
Melamine shelf.

PRICE	30"H	36"H	40"H
WH=White (<i>melamine</i>)	\$225	\$235	\$235
AW=Antique White	\$240	N/A	\$250
CP=Chocolate Pear	\$240	N/A	\$250
IAR=Arctic	\$265	N/A	\$275
ICS=Cliffstone	\$265	N/A	\$275
IBR=Black River	\$265	N/A	\$275
SMW=Metro Smooth	N/A	N/A	N/A
GR=Dove	\$321	\$357	\$407
WG=Willow (<i>Melamine</i>)	\$321	\$357	\$407
WSM=White Smooth	N/A	N/A	N/A
CH=Charcoal	\$321	\$357	\$407
BN=Banff	\$407	\$434	\$465
WS=Whistler	\$407	\$434	\$465

TALL CABINETS

84" HIGH BROOM CABINET



SIZE / SKU	12" D	24" D
15"W UB1584 (L/R)	\$474	\$474
18"W UB1884 (L/R)	\$517	\$517
24"W UB2484 (dbl door)	\$702	\$702
30"W UB3084 (dbl door)	\$796	\$796
33"W UB3384 (dbl door)	\$855	\$855

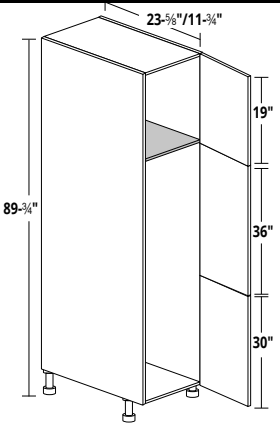
*Add -12 to SKU to indicate 12"D.

STANDARD FEATURES

Fixed Shelf (x1).

NOTE: 15"-18" wide pantries 3 door single swing, 24"-33" wide pantries 6 door double swing

90" HIGH BROOM CABINET (SSW / SSD / SSL / SSS / SSH / SMB / SMH / SMI / SMW DOORS ONLY)



SIZE / SKU	12" D	24" D
15"W UB1590 (L/R)	\$515	\$515
18"W UB1890 (L/R)	\$566	\$566
24"W UB2490 (dbl door)	\$768	\$768
30"W UB3090 (dbl door)	\$872	\$872
33"W UB3390 (dbl door)	\$932	\$932

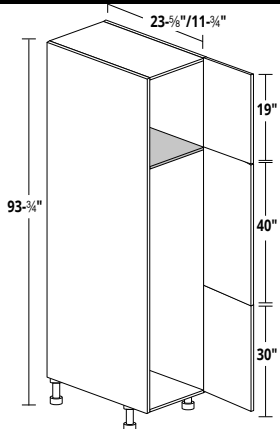
*Add -12 to SKU to indicate 12"D.

STANDARD FEATURES

Fixed Shelf (x1).

NOTE: 15"-18" wide pantries 3 door single swing, 24"-33" wide pantries 6 door double swing

94" HIGH BROOM CABINET



SIZE / SKU	12" D	24" D
15"W UB1594 (L/R)	\$556	\$556
18"W UB1894 (L/R)	\$615	\$615
24"W UB2494 (dbl door)	\$833	\$833
30"W UB3094 (dbl door)	\$949	\$949
33"W UB3394 (dbl door)	\$1,008	\$1,008

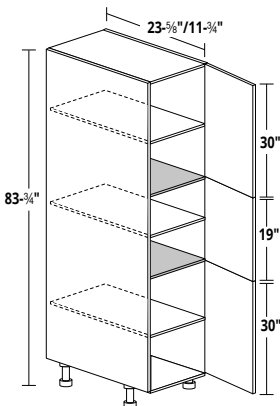
*Add -12 to SKU to indicate 12"D.

STANDARD FEATURES

Fixed Shelf (x1).

NOTE: 15"-18" wide pantries 3 door single swing, 24"-33" wide pantries 6 door double swing

84" HIGH PANTRY CABINET



SIZE / SKU	12" D	24" D
15"W UP1584 (L/R)	\$474	\$474
18"W UP1884 (L/R)	\$517	\$517
24"W UP2484 (dbl door)	\$702	\$702
30"W UP3084 (dbl door)	\$796	\$796
33"W UP3384 (dbl door)	\$855	\$855

*Add -12 to SKU to indicate 12"D.

STANDARD FEATURES

Fixed Shelf (x2).

Full depth adjustable Shelf (x3 / 22 7/8" D).

UPGRADES

	Sgl. Dr. Unit	Dbl. Dr. Unit
Metabox Rollout X4	\$403	\$682

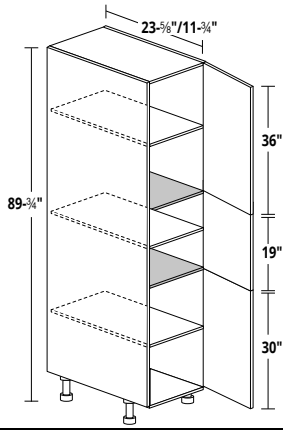
Rollout location predetermined.

Rollouts not available in 12" Depth cabinets.

NOTE: x2 adjustable shelves in cab with rollout.

NOTE: 15"-18" wide pantries 3 door single swing, 24"-33" wide pantries 6 door double swing

90" HIGH PANTRY CABINET (SSW / SSD / SSL / SSS / SSH / SMB / SMH / SMI / SMW DOORS ONLY)



SIZE / SKU		12" D	24" D
15"W	UP1590 (L/R)	\$515	\$515
18"W	UP1890 (L/R)	\$566	\$566
24"W	UP2490 (dbl door)	\$768	\$768
30"W	UP3090 (dbl door)	\$872	\$872
33"W	UP3390 (dbl door)	\$932	\$932

*Add -12 to SKU to indicate 12"D.

STANDARD FEATURES

Fixed Shelf (x2).
Full depth adjustable Shelf (x3 / 22 $\frac{7}{8}$ " D).

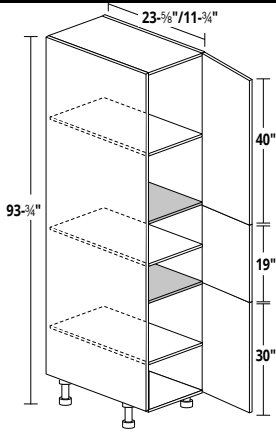
UPGRADES

	Sgl. Dr. Unit	Dbl. Dr. Unit
Metabox Rollout X4	\$403	\$682

Rollout location predetermined.
Rollouts not available in 12" Depth cabinets.
NOTE: x2 adjustable shelves in cab with rollout.

NOTE: 15"-18" wide pantries 3 door single swing, 24"-33" wide pantries 6 door double swing

94" HIGH PANTRY CABINET



SIZE / SKU		12" D	24" D
15"W	UP1594 (L/R)	\$556	\$556
18"W	UP1894 (L/R)	\$615	\$615
24"W	UP2494 (dbl door)	\$833	\$833
30"W	UP3094 (dbl door)	\$949	\$949
33"W	UP3394 (dbl door)	\$1,008	\$1,008

*Add -12 to SKU to indicate 12"D.

STANDARD FEATURES

Fixed Shelf (x2).
Full depth adjustable Shelf (x3 / 22 $\frac{7}{8}$ " D).

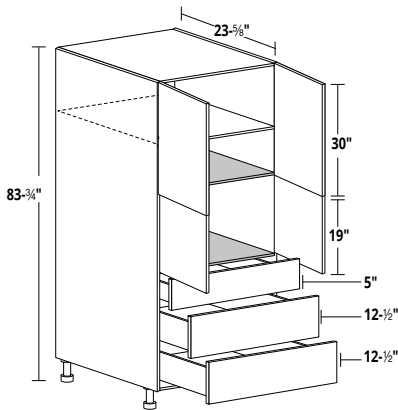
UPGRADES

	Sgl. Dr. Unit	Dbl. Dr. Unit
Metabox Rollout X4	\$403	\$682

Rollout location predetermined.
Rollouts not available in 12" Depth cabinets.
NOTE: x2 adjustable shelves in cab with rollout.

NOTE: 15"-18" wide pantries 3 door single swing, 24"-33" wide pantries 6 door double swing

84" HIGH UTILITY HUTCH CABINET



SIZE / SKU		PRICE
18"W	UH1884 (L/R) (single door)	\$766
24"W	UH2484 (dbl door)	\$943
30"W	UH3084 (dbl door)	\$1,079
33"W	UH3384 (dbl door)	\$1,139

NOTE: 18" wide pantries 2 door single swing, 24"-33" wide pantries 4 door double swing

STANDARD FEATURES

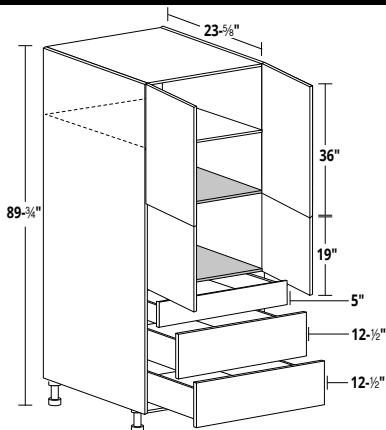
Fixed Shelf (x2).
Full depth adjustable Shelf (x2 / 22 $\frac{7}{8}$ " D).
Metabox Drawers.

UPGRADES

	Sgl. Dr. Unit	Dbl. Dr. Unit
Metabox Rollout x2	\$202	\$264
Intero Drawer x3	\$279	\$279

Rollout location predetermined.
NOTE: x2 adjustable shelves in cab without rollout.

90" HIGH UTILITY HUTCH CABINET (SSW / SSD / SSL / SSS / SSH / SMB / SMH / SMI / SMW DOORS ONLY)



SIZE / SKU		PRICE
18"W	UH1890 (L/R) (single door)	\$808
24"W	UH2490 (dbl door)	\$1,003
30"W	UH3090 (dbl door)	\$1,144
33"W	UH3390 (dbl door)	\$1,212

NOTE: 18" wide pantries 2 door single swing, 24"-33" wide pantries 4 door double swing

STANDARD FEATURES

Fixed Shelf (x2).
Full depth adjustable Shelf (x1 / 22 $\frac{7}{8}$ " D).
Metabox Drawers.

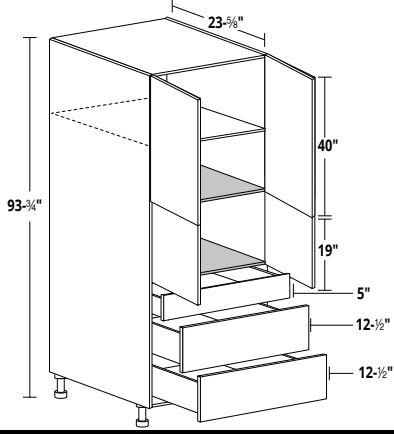
UPGRADES

	Sgl. Dr. Unit	Dbl. Dr. Unit
Metabox Rollout x2	\$202	\$264
Intero Drawer x3	\$279	\$279

Rollout location predetermined.
NOTE: x2 adjustable shelves in cab without rollout.

TALL CABINETS

94" HIGH UTILITY HUTCH CABINET



SIZE / SKU

PRICE

18"W	UH1894 (L/R) (single door)	\$868
24"W	UH2494 (dbl door)	\$1,079
30"W	UH3094 (dbl door)	\$1,224
33"W	UH3394 (dbl door)	\$1,300

NOTE: 18" wide pantries 2 door single swing,
24"-33" wide pantries 4 door double swing

STANDARD FEATURES

Fixed Shelf (x2).
Full depth adjustable Shelf (x1).
Metabox Drawers.

UPGRADES

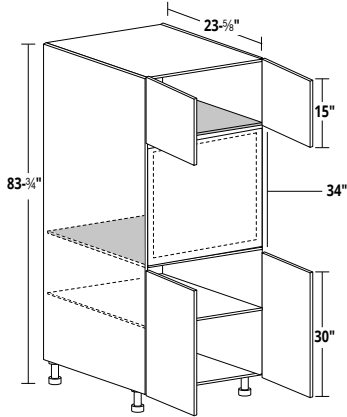
Sgl. Dr. Unit Dbl. Dr. Unit

Metabox Rollout x2	\$202	\$264
Intero Drawer x3	\$279	\$279

Rollout location predetermined.

NOTE: x2 adjustable shelves in cab without roll out.

84" HIGH SINGLE OVEN CABINET



SIZE / SKU

PRICE

33"W	OS3384	\$865
------	--------	-------

**Additional reinforcement/materials are recommended to be added at the time of installing any appliance to this cabinet. Please refer to the Manufacturers specs regarding installation requirements of any appliances.*

STANDARD FEATURES

Fixed Shelf (x2).
Full depth adjustable Shelf (x1).
Field cut panel - Requires L bracket. (not Incl.)
Panel is 33"W x 35 1/4" (893mm).
Max Cutout is 28"W x 29"H.
Appliance support not available.

UPGRADES

PRICE

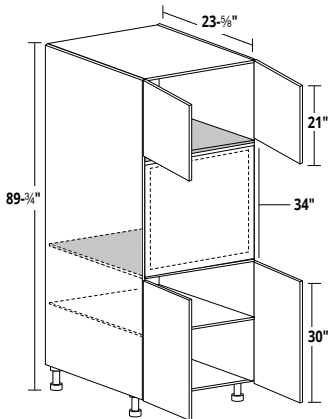
Metabox Rollout (x2)	\$264
----------------------	-------

Rollout location predetermined.

*Edgetape sold separately

*Rollouts installed in bottom

90" HIGH SINGLE OVEN CABINET (SSW / SSL / SSS / SSH / SMB / SMH / SMI / SMW DOORS ONLY)



SIZE / SKU

PRICE

33"W	OS3390	\$958
------	--------	-------

**Additional reinforcement/materials are recommended to be added at the time of installing any appliance to this cabinet. Please refer to the Manufacturers specs regarding installation requirements of any appliances.*

STANDARD FEATURES

Fixed Shelf (x2).
Full depth adjustable Shelf (x1).
Field cut panel - Requires L bracket. (not Incl.)
Panel is 33"W x 35 1/4" (893mm).
Max Cutout is 28"W x 29"H.
Appliance support not available.

UPGRADES

PRICE

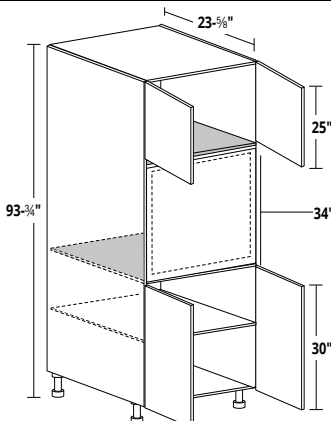
Metabox Rollout (x2)	\$264
----------------------	-------

Rollout location predetermined.

*Edgetape sold separately

*Rollouts installed in bottom

94" HIGH SINGLE OVEN CABINET



SIZE / SKU

PRICE

33"W	OS3394	\$1,026
------	--------	---------

**Additional reinforcement/materials are recommended to be added at the time of installing any appliance to this cabinet. Please refer to the Manufacturers specs regarding installation requirements of any appliances.*

STANDARD FEATURES

Fixed Shelf (x2).
Full depth adjustable Shelf (x1).
Field cut panel - Requires L bracket. (not Incl.)
Panel is 33"W x 35 1/4" (893mm).
Max Cutout is 28"W x 29"H.
Appliance support not available.

UPGRADES

PRICE

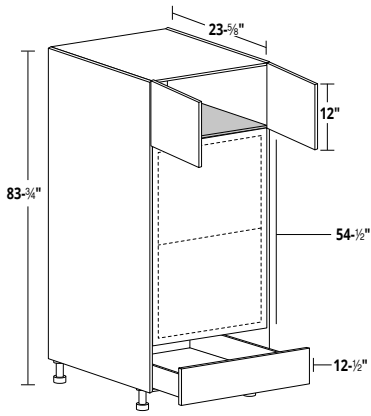
Metabox Rollout (x2)	\$264
----------------------	-------

Rollout location predetermined.

*Edgetape sold separately

*Rollouts installed in bottom

84" HIGH DOUBLE OVEN CABINET



SIZE / SKU	PRICE
33"W OD3384	\$878

**Additional reinforcement/materials are recommended to be added at the time of installing any appliance to this cabinet. Please refer to the Manufacturers specs regarding installation requirements of any appliances.*

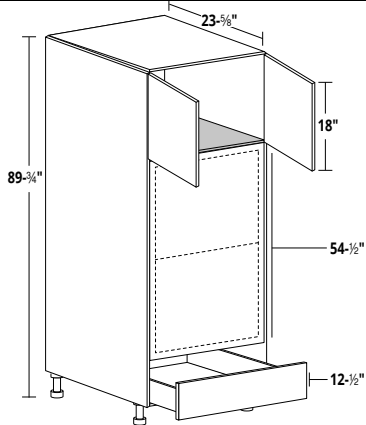
STANDARD FEATURES

- Fixed Shelf (x2).
- Metabox Drawer.
- Field cut panel - Requires L bracket. (not Incl.)
- Panel is 33"W x 54 1/2" (893mm)
- Max Cutout is 29"W x 49"H
- Appliance support not available.

UPGRADES	PRICE
Interio Drawer (x1)	\$93

*Edgetape sold separately

90" HIGH DOUBLE OVEN CABINET (SSW / SSD / SSL / SSS / SSH / SMB / SMH / SMI / SMW DOORS ONLY)



SIZE / SKU	PRICE
33"W OD3390	\$963

**Additional reinforcement/materials are recommended to be added at the time of installing any appliance to this cabinet. Please refer to the Manufacturers specs regarding installation requirements of any appliances.*

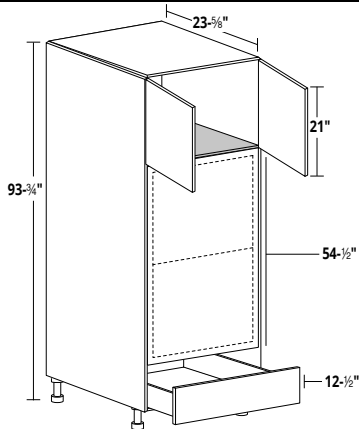
STANDARD FEATURES

- Fixed Shelf (x2).
- Metabox Drawer.
- Field cut panel - Requires L bracket. (not Incl.)
- Panel is 33"W x 54 1/2" (893mm)
- Max Cutout is 29"W x 49"H
- Appliance support not available.

UPGRADES	PRICE
Interio Drawer (x1)	\$93

*Edgetape sold separately

94" HIGH DOUBLE OVEN CABINET



SIZE / SKU	PRICE
33"W OD3394	\$1,048

**Additional reinforcement/materials are recommended to be added at the time of installing any appliance to this cabinet. Please refer to the Manufacturers specs regarding installation requirements of any appliances.*

STANDARD FEATURES

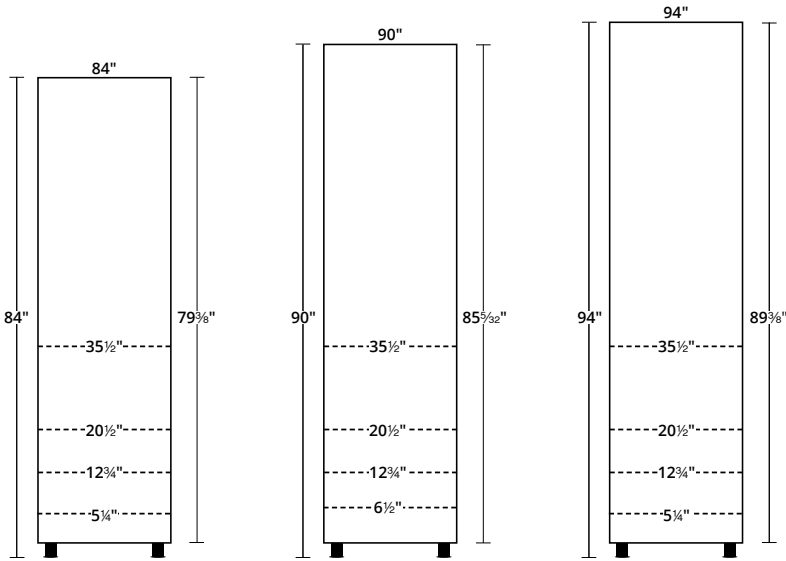
- Fixed Shelf (x2).
- Metabox Drawer.
- Field cut panel - Requires L bracket. (not Incl.)
- Panel is 33"W x 54 1/2" (893mm)
- Max Cutout is 29"W x 49"H
- Appliance support not available.

UPGRADES	PRICE
Interio Drawer (x1)	\$93

*Edgetape sold separately

ROLL-OUT LOCATION GUIDE

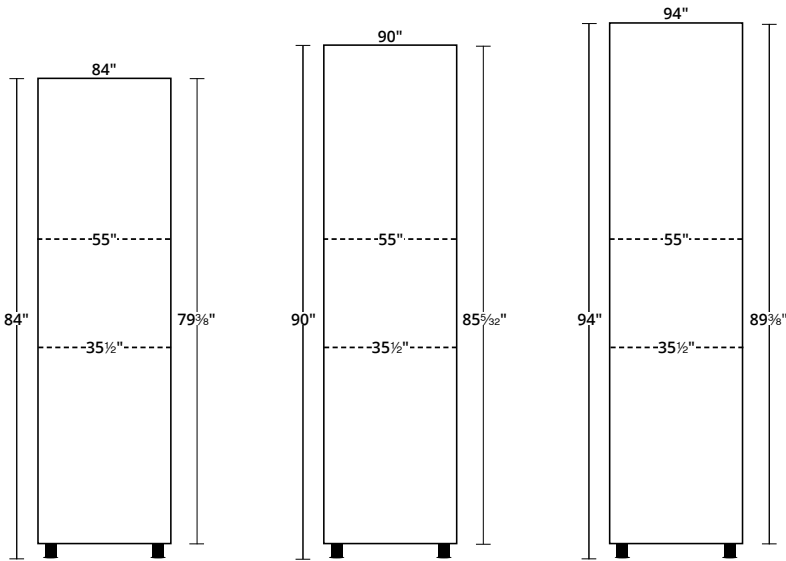
PANTRY CABINETS WITH X4 ROLL-OUTS (84" / 90" / 94")



NOTE

Roll-out locations are measured up from the base of the gable.

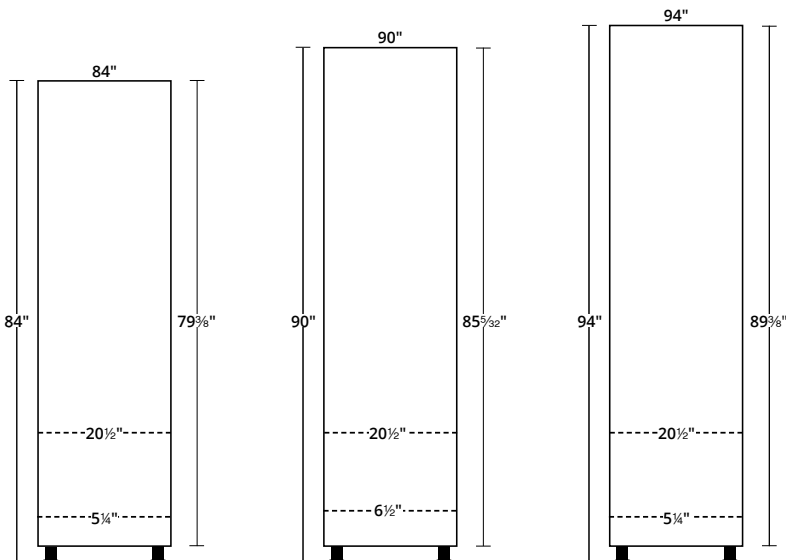
HUTCH CABINETS WITH X2 ROLL-OUTS (84" / 90" / 94")



NOTE

Roll-out locations are measured up from the base of the gable.

SINGLE OVEN CABINET WITH X2 ROLL-OUTS (84" / 90" / 94")

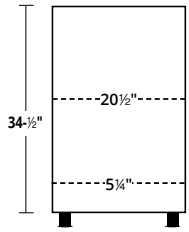


NOTE

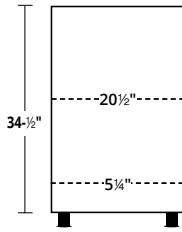
Roll-out locations are measured up from the base of the gable.

BH CABINET ROLL-OUTS (24" DEEP FULL HEIGHT DOOR BASE)

SINGLE DOOR
BASE CAB
(BH09 - BH21)



DOUBLE DOOR
BASE CAB
(BH24 - BH36)

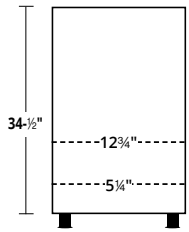


NOTE

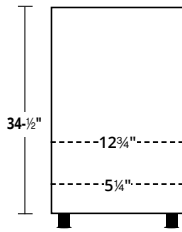
Roll-out locations are measured up from the base of the gable.

BD CABINET ROLL-OUTS (24" DEEP DRAWER/DOOR BASE)

SINGLE DRAWER/
DOOR BASE CAB
(BD13.5 - BD21)



DOUBLE DRAWER/
DOOR BASE CAB
(BD24 - BD36)

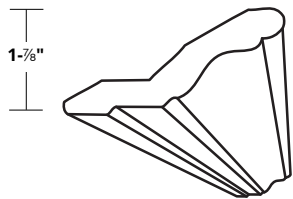


NOTE

Roll-out locations are measured up from the base of the gable.

ACCESSORIES

CROWN MOULDING (VINYL)



*96" Length

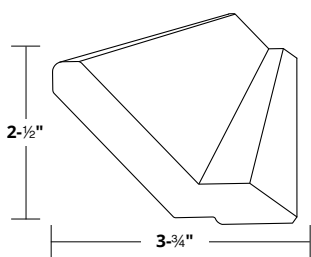
SKU

CS-SMCROWN-xxx

COLOUR	PRICE	COLOUR	PRICE
WH =White (Textured)	\$98	GR =Dove	\$127
AW =Antique White	\$127	WG =Willow	\$127
CP =Chocolate Pear	\$127	WSM =Smooth White	N/A
IAR =Arctic	\$160	BN =Banff	\$127
ICS =Cliffstone	\$160	CH =Charcoal	\$127
IBR =Black River	\$160	WS =Whistler	\$127

NOTE: Crown cannot be used with 40"H uppers and 8' ceilings.
*Integrated cleat/nailing strip (top mount) Cleat Length = 20mm

SHAKER CROWN (VINYL)



*96" Length

SKU

CS-SHRCROWN-xxx

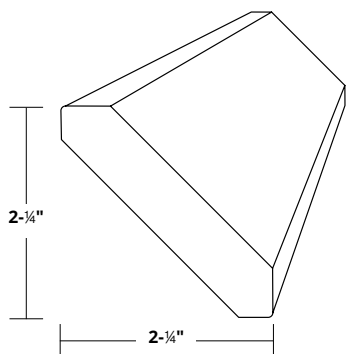
WHITE PAIRINGS:

WH / White (Textured) used for **SSW/TSW** Doors.
WSM / Smooth White used for **SSS/SMW** Doors.

COLOUR	PRICE	COLOUR	PRICE
WH =White (Textured)	\$144	WSM =Smooth White	\$180
AW =Antique White	\$155	BN =Banff	\$180
CP =Chocolate Pear	\$180	WS =Whistler	\$180
GR =Dove	\$180	CH =Charcoal	\$180
WG =Willow	\$180		

NOTE: Crown cannot be used with 40"H uppers and 8' ceilings.
*Integrated cleat/nailing strip (top mount) Cleat Length = 20mm

FACEMOUNT SHAKER (VINYL)



*96" Length

SKU

CS-FMSHCROWN-xxx

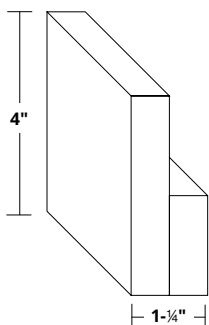
WHITE PAIRINGS:

WH / White (Textured) used for **SSW/TSW** Doors.
WSM / Smooth White used for **SSS/SMW** Doors.

COLOUR	PRICE	COLOUR	PRICE
WH =White (Textured)	\$137	WSM =Smooth White	\$180
AW =Antique White	\$155	BN =Banff	\$180
CP =Chocolate Pear	\$180	WS =Whistler	\$180
GR =Dove	\$180	CH =Charcoal	\$180
WG =Willow	\$180		

NOTE: No cleat/nailing strip (surface mount).

FACEMOUNT STARTER MOULDING (MELAMINE/VINYL)



*96" Length

SKU

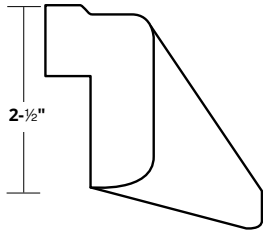
CS-IMSM4-xxx

WHITE PAIRINGS:

WH / White (Textured) used for **SSW/TSW** Doors.
WSM / Smooth White used for **SSS/SMW** Doors.

COLOUR	PRICE	COLOUR	PRICE
WH =White	\$160	WSM =Smooth White	\$160
AW =Antique White	\$140	BN =Banff	\$140
CP =Chocolate Pear	\$140	WS =Whistler	\$140
GR =Dove	\$156	CH =Charcoal	\$156
WGV =Willow (Vinyl)	\$156		

LIGHT VALANCE (VINYL)



*96" Length

SKU

CS-VALANCE-xxx

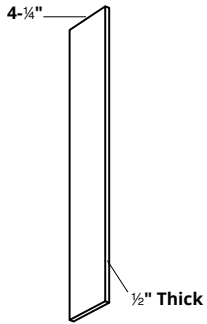
WHITE PAIRINGS:

WH / White (Textured) used for SSW/TSW Doors.
WSM / Smooth White used for SSS/SMW Doors.

COLOUR	PRICE	COLOUR	PRICE
WH=White (Textured)	\$97	BN=Banff	\$127
AW=Antique White	\$119	CH=Charcoal	\$127
CP=Chocolate Pear	\$119	WS=Whistler	\$127
GR=Dove	\$119		
WG=Willow	\$119		
WSM=Smooth White	\$160		

NOTE: Integrated cleat/nailing strip (top mount).

TOE KICK (MELAMINE)



*96" Length

SKU

CS-96TK-xxx

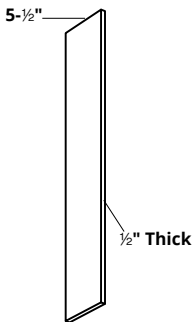
WHITE PAIRING:

WH (Textured) used for all white Doors, but will have different texture than SMW / SSS.

COLOUR	PRICE	COLOUR	PRICE
WH=White (Textured)	\$31	GR=Dove	\$53
AW=Antique White	\$53	WG=Willow	\$53
CP=Chocolate Pear	\$53	WSM=Smooth White	N/A
IAR=Arctic	\$59	BN=Banff	\$75
ICS=Cliffstone	\$59	CH=Charcoal	\$53
IBR=Black River	\$59	WS=Whistler	\$75

NOTE: For comfort height (34.5"H) kitchens & vanities.
*No finished edges.

VANITY TOE KICK (MELAMINE)



*96" Length

SKU

CS-96VK-xxx

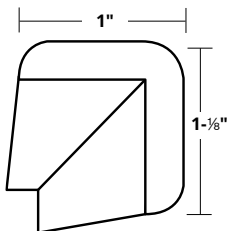
WHITE PAIRING:

WH (Textured) used for all white Doors, but will have different texture than SMW / SSS.

COLOUR	PRICE	COLOUR	PRICE
WH=White (Textured)	\$42	GR=Dove	\$59
AW=Antique White	\$59	WG=Willow	\$59
CP=Chocolate Pear	\$59	WSM=Smooth White	N/A
IAR=Arctic	\$66	BN=Banff	\$66
ICS=Cliffstone	\$66	CH=Charcoal	\$59
IBR=Black River	\$66	WS=Whistler	\$66

NOTE: For standard height (30.5"H) vanities.
*No finished edges.

OUTSIDE MOULDING (MELAMINE/VINYL)



*96" Length

SKU

CS-OUTCORNER-xxx

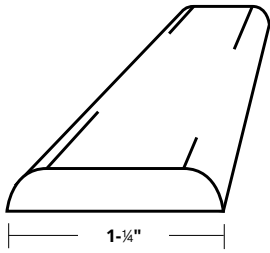
WHITE PAIRING:

WH (Textured) used for all white Doors, but will have different texture than SMW / SSS.

COLOUR	PRICE	COLOUR	PRICE
WH=White (Textured)	\$120	GR=Dove	\$132
AW=Antique White	\$129	WG=Willow	\$132
CP=Chocolate Pear	\$132	WSM=Smooth White	N/A
IAR=Arctic	\$148	BN=Banff	\$132
ICS=Cliffstone	\$148	CH=Charcoal	\$132
IBR=Black River	\$148	WS=Whistler	\$132

ACCESSORIES

BATTEN MOULDING (MELAMINE/VINYL)



*96" Length

SKU

CS-BATTEN-xxx

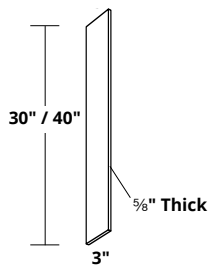
WHITE PAIRING:

WH (Textured) used for all white Doors, but will have different texture than SMW / SSS.

COLOUR	PRICE	COLOUR	PRICE
WH*=White (Textured)	\$63	GR=Dove	\$80
AW*=Antique White	\$80	WG=Willow	\$80
CP*=Chocolate Pear	\$80	WSM=Smooth White	N/A
IAR=Arctic	\$95	BN=Banff	\$80
ICS=Cliffstone	\$95	CH=Charcoal	\$80
IBR=Black River	\$95	WS=Whistler	\$80

NOTE: Colours marked with * come in 1-3/4" ONLY.

30" / 40" FILLER STRIPS (MELAMINE)



SKU

CS-30FILLER-xxx

CS-40FILLER-xxx

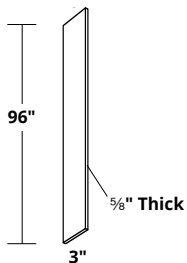
WHITE PAIRINGS:

WTW / White (Textured) used for SSW/TSW Doors.
WSM / Smooth White used for SSS/SMW Doors.

COLOUR	30"	40"	COLOUR	30"	40"
WH=White (Melamine)	\$19	\$24	IAR=Arctic	\$31	\$35
WTW=White (Textured)	\$40	\$50	ICS=Cliffstone	\$31	\$35
AW=Antique White	\$28	\$31	IBR=Black River	\$31	\$35
CP=Chocolate Pear	\$28	\$31	BN=Banff	\$41	\$44
GR=Dove	\$28	\$31	CH=Charcoal	\$28	\$31
WGV=Willow (Vinyl)	\$28	\$31	WS=Whistler	\$41	\$44
WSM=Smooth White	\$40	\$50			

*No finished edges

96" FLAT FILLER (MELAMINE)



SKU

CS-96FILLER-xxx

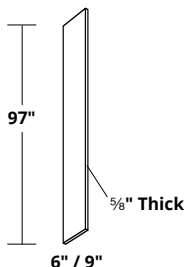
WHITE PAIRINGS:

WH / White (Textured) used for SSW/TSW Doors.
WSM / Smooth White used for SSS/SMW Doors.

COLOUR	PRICE	COLOUR	PRICE
WH=White	\$31	IAR=Arctic	\$59
WTW=White (Textured)	\$90	ICS=Cliffstone	\$59
AW=Antique White	\$53	IBR=Black River	\$59
CP=Chocolate Pear	\$53	BN=Banff	\$75
GR=Dove	\$53	CH=Charcoal	\$53
WGV=Willow (Vinyl)	\$75	WS=Whistler	\$75
WSM=Smooth White	\$90		

*No finished edges

STARTER STRIP / FREEZEBOARD FILLER



SKU

CS-97X6FB-WH

CS-97X9FB-WH

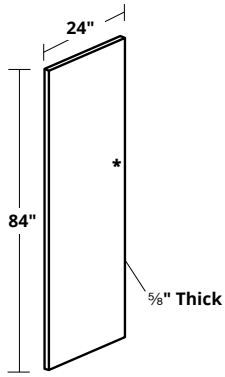
WHITE PAIRING:

WH (Textured) used for all white Doors, but will have different texture than SMW / SSS.

COLOUR	6"	9"
WH=White (Melamine)	\$31	\$41.85

*No finished edges

84"H REFRIGERATOR PANEL (MELAMINE)



SKU

CS-FRIDGE84-WH

WHITE PAIRING:

WH (Textured) used for all white Doors, but will have different texture than SMW / SSS.

NOTE: *Both sides are finished, as well as front vertical edge.

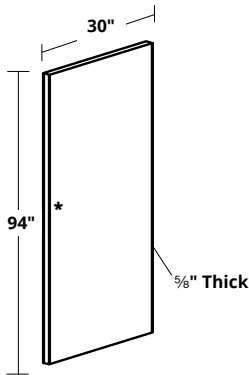
COLOUR

WH=White

PRICE

\$142

94"H REFRIGERATOR PANEL (MELAMINE)



SKU

CS-FRIDGE9430-xxx

WHITE PAIRING:

WH (Textured) used for all white Doors, but will have different texture than SMW / SSS.

NOTE: *Both sides are finished, as well as front vertical edge.

COLOUR

WH=White (Textured)

AW=Antique White

CP=Chocolate Pear

IAR=Arctic

ICS=Cliffstone

IBR=Black River

PRICE

\$173

\$258

\$258

\$249

\$249

\$249

COLOUR

GR=Dove

WGV=Willow

BN=Banff

CH=Charcoal

WS=Whistler

PRICE

\$180

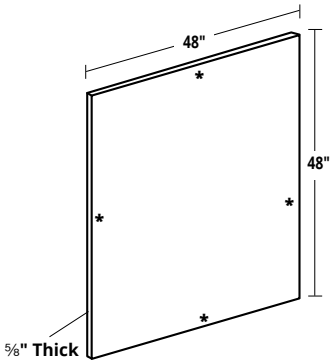
\$429

\$258

\$258

\$258

48"W ISLAND PANEL



SKU

CS-ISLAND48-xxx

WHITE PAIRING:

WH (Textured) used for all white Doors, but will have different texture than SMW / SSS.

NOTE: *Both sides and all edges are finished.

COLOUR

WH=White (Textured)

AW=Antique White

CP=Chocolate Pear

IAR=Arctic

ICS=Cliffstone

IBR=Black River

PRICE

\$117

\$152

\$191

\$175

\$175

\$175

COLOUR

GR=Dove

WGV=Willow

BN=Banff

CH=Charcoal

WS=Whistler

PRICE

\$191

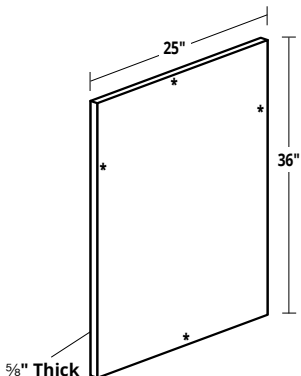
\$299

\$255

\$229

\$255

25"W DISHWASHER PANEL



SKU

CS-DWPANEL3625-xxx

WHITE PAIRING:

WH (Textured) used for all white Doors, but will have different texture than SMW / SSS.

NOTE: *Both sides and all edges are finished.

COLOUR

WH=White (Textured)

AW=Antique White

CP=Chocolate Pear

IAR=Arctic

ICS=Cliffstone

IBR=Black River

PRICE

\$64

\$98

\$98

\$123

\$123

\$123

COLOUR

GR=Dove

WGV=Willow (Vinyl)

BN=Banff

CH=Charcoal

WS=Whistler

PRICE

\$98

\$209

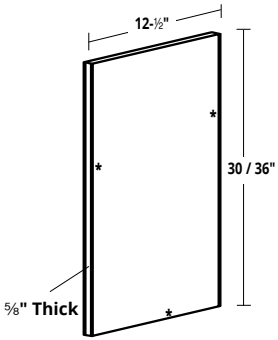
\$144

\$144

\$144

ACCESSORIES

12"W WALL END PANEL (30" / 36" HEIGHT)



SKU

CS-WEP1230-xxx

CS-WEP1236-xxx

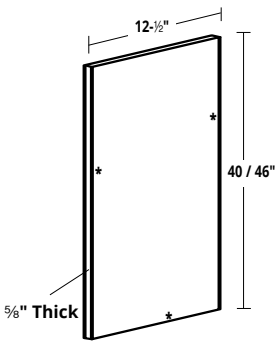
WHITE PAIRING:

WH (Textured) used for all white Doors, but will have different texture than SMW / SSS.

COLOUR	30"	36"
WH=White (Melamine)	\$49	\$58
AW=Antique White	\$56	\$61
CP=Chocolate Pear	\$56	N/A
GR=Dove	\$56	\$71
WGV=Willow (Vinyl)	\$89	\$109
CH=Charcoal	\$61	\$71

COLOUR	30"	36"
IAR=Arctic	\$76	N/A
ICS=Cliffstone	\$76	N/A
IBR=Black River	\$76	N/A
BN=Banff	\$81	\$100
WS=Whistler	\$81	\$100

12"W WALL END PANEL (40" / 46" HEIGHT)



SKU

CS-WEP1240-xxx

CS-WEP12.546-xxx

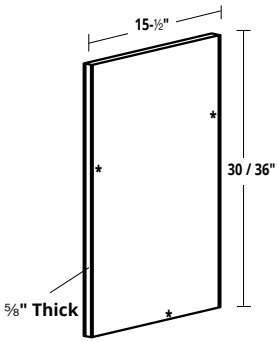
WHITE PAIRING:

WH (Textured) used for all white Doors, but will have different texture than SMW / SSS.

COLOUR	40"	46"
WH=White (Melamine)	\$58	\$64
AW=Antique White	\$71	\$68
CP=Chocolate Pear	\$71	\$68
GR=Dove	\$71	\$76
WGV=Willow (Vinyl)	\$114	\$125
CH=Charcoal	\$78	\$80

COLOUR	40"	46"
IAR=Arctic	\$80	\$110
ICS=Cliffstone	\$80	\$110
IBR=Black River	\$80	\$110
BN=Banff	\$105	\$108
WS=Whistler	\$105	\$108

15"W WALL END PANEL (30" / 36" HEIGHT)



SKU

CS-WEP1530-xxx

CS-WEP1536-xxx

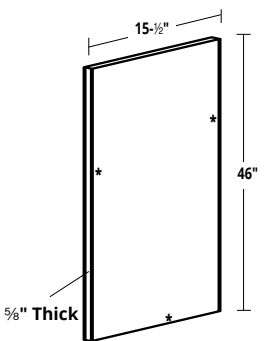
WHITE PAIRING:

WH (Textured) used for all white Doors, but will have different texture than SMW / SSS.

COLOUR	30"	36"
WH=White (Melamine)	\$64	\$72
AW=Antique White	\$68	N/A
CP=Chocolate Pear	\$68	N/A
GR=Dove	\$68	\$95
WGV=Willow (Vinyl)	\$114	\$134
CH=Charcoal	\$68	\$95

COLOUR	30"	36"
IAR=Arctic	\$85	N/A
ICS=Cliffstone	\$85	N/A
IBR=Black River	\$85	N/A
BN=Banff	\$116	\$146
WS=Whistler	\$116	\$146

15"W WALL END PANEL (46" HEIGHT)



SKU

CS-WEP1540-xxx

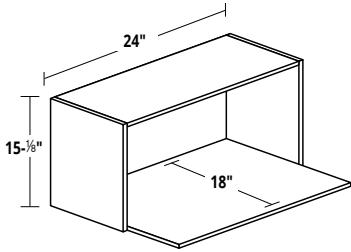
WHITE PAIRING:

WH (Textured) used for all white Doors, but will have different texture than SMW / SSS.

COLOUR	PRICE
WH=White	\$72
AW=Antique White	\$76
CP=Chocolate Pear	\$95
GR=Dove	\$95
WGV=Willow (Vinyl)	\$140
CH=Charcoal	\$95

COLOUR	PRICE
IAR=Arctic	\$100
ICS=Cliffstone	\$100
IBR=Black River	\$100
BN=Banff	\$175
WS=Whistler	\$175

MICROWAVE SHELF



SKU

CS-MS2415-XXX

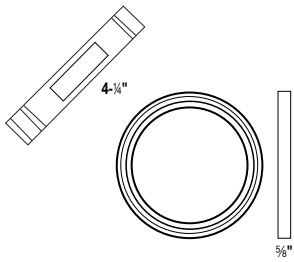
WHITE PAIRINGS:

WH / White (Textured) used for SSW/TSW Doors.
WSM / Smooth White used for SSS/SMW Doors.

COLOUR	PRICE	COLOUR	PRICE
WH=White (Melamine)	\$181	IAR=Arctic	\$198
AW=Antique White	\$181	ICS=Cliffstone	\$198
CP=Chocolate Pear	\$181	IBR=Black River	\$198
GR=Dove	\$181	BN=Banff	\$320
WG=Willow	\$196	WS=Whistler	\$320
CH=Charcoal	\$196		

NOTE: Colour matched interior/exterior.

FINISHING MATERIALS (TOUCH-UP CRAYONS / EDGETAPE)



	SKU	PRICE
Touch up Crayon	CS-CRAYON	\$24/each
Iron-on Edge Tape (5/8") (WH, AW, CP, ZA)	CS-EDGETAPE	\$2/ft
Peel and Stick Edge Tape (1 5/16") (AS, BN, CM, FS, JS, WS)	CS-EDGETAPE-PSC	\$4/ft

NOTE: Iron on Tape available in White (WH), Chocolate Pear (CP) & Zambukka (ZA).

Peel & Stick Tape available in Ashen (AS), Fossil (FS), Banff (BN), Jasper (JS), Canmore (CM) & Whistler (WS).

WHITE ACCESSORY REFERENCE GUIDE

EASY REFERENCE GUIDE

Select Series offers two variations of White which require certain accessories to best match your Cabinetry. Below helps to explain which shade(s) of White for your accessory to use with your choice of Doorstyle.

VARIATIONS:

- A) Huntsville Shaker White (SSW) / Simcoe Raised Panel (TSW)
- B) Smooth White (SSS) / Metro White (SMW) /

DOOR STYLE	ACCESSORY		
	FILLER STRIPS	CROWN / MOULDING	PANELS / WEP / TOEKICKS
SSW / TSW	Use Colour Code -WTW	Use Colour Code -WH	Use Colour Code -WH
SSS / SMW	Use Colour Code -WSM	Use Colour Code -WSM	Use Colour Code -WH

EXAMPLE: SSW KITCHEN ORDER

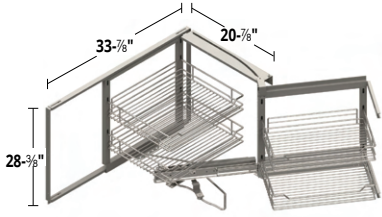
<p>SKU CS-30FILLER WTW</p>	<p>SKU CS-WEP1230 WH</p>	<p>SKU CS-SMROWN WH</p>
---------------------------------------	-------------------------------------	------------------------------------

EXAMPLE: SMW KITCHEN ORDER

<p>SKU CS-30FILLER WSM</p>	<p>SKU CS-WEP1230 WH</p>	<p>SKU CS-SHKRCROWN WSM</p>
---------------------------------------	-------------------------------------	--

ACCESSORIES

MAGIC CORNER



*CS-S3002 Left hand shown.

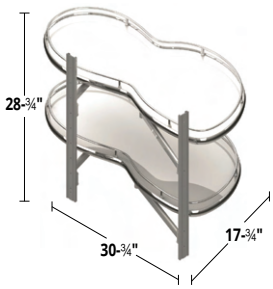
SKU	PRICE
CS-S3001	\$1,209
CS-S3002	\$1,209

DESIGNED FOR USE IN

- .CS-S3001:**
 - BBH45/48R Blind Corner Cabinet
- .CS-S3002:**
 - BBH45/48L Blind Corner Cabinet

NOTE: Accessory is not installed, shipped separately. When installing, two pieces of material will be required to mount to centre panel of door. 7mm thick X 6"W x 2"H.

KIDNEY MAGIC CORNER



*Right hand shown.

SKU	PRICE
CS-S3013 (for Right Handed door)	\$1,252
CS-S3014 (for Left Handed door)	\$1,252

DESIGNED FOR USE IN

- .CS-S3013: (FOR RH DOOR)**
 - BBH45R Blind Corner Cabinet
- .CS-S3014: (FOR LH DOOR)**
 - BBH45L Blind Corner Cabinet

NOTE: Accessory is not installed, shipped separately. When installing, two pieces of material will be required to mount to centre panel of door. 7mm thick X 6"W x 2"H.

P.V.C LAZY SUSAN



33" = 29 1/8" Diameter x 29 15/16" Height
36" = 32 1/16" Diameter x 29 15/16" Height

SKU	PRICE
.CS-P24K30	\$189
.CS-P28K30	\$229

DESIGNED FOR USE IN

- .CS-P24K30:**
 - BE33 Easy Reach Corner Cabinet
 - BE33-36 Offset Easy Reach Corner Cabinet
 - BE36-33 Offset Easy Reach Corner Cabinet
- .CS-P28K30:**
 - BE36 Easy Reach Corner Cabinet

NOTE: Accessory ships installed. Can also be ordered uninstalled separately.

WIRE LAZY SUSAN



33" = 29 1/8" Diameter x 29 15/16" Height
36" = 32 1/16" Diameter x 29 15/16" Height

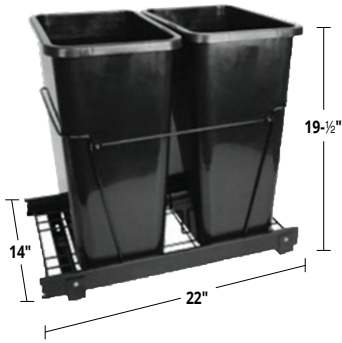
SKU	PRICE
.CS-LSW33	\$445
.CS-LSW36	\$475

DESIGNED FOR USE IN

- .CS-LSW33:**
 - BE33 Easy Reach Corner Cabinet
 - BE33-36 Offset Easy Reach Corner Cabinet
 - BE36-33 Offset Easy Reach Corner Cabinet
- .CS-LSW36:**
 - BE36 Easy Reach Corner Cabinet

NOTE: Accessory ships installed. Can also be ordered uninstalled separately.

DUAL GARBAGE CAN SYSTEM



SKU	PRICE
CS-WB-BLK	\$300
CS-WB-BLK-DOORKIT	\$50

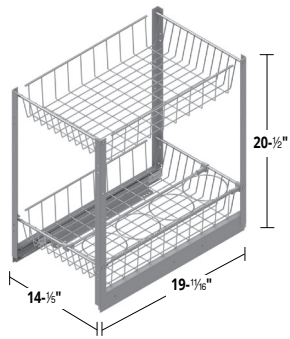
DESIGNED FOR USE IN

CS-WB-BLK:
Any 18"W Base Cabinet.

CS-WB-BLK-DOORKIT:
A Door mounting kit designed for the CS-WB-BLK only. When installing, two pieces of material will be required to mount to centre panel of door. 7mm thick x 6"W x 2"H.

NOTE: Accessory is not installed, shipped separately. Each bin has a 35 quart capacity.

2 BASKET WITH BOTTLE HOLDER



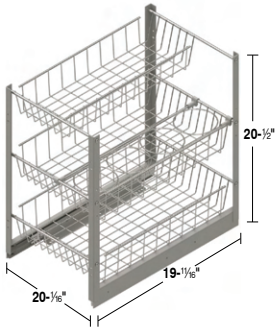
SKU	PRICE
CS-S2103	\$309

DESIGNED FOR USE IN

- **BH18** Full Height Base Cabinet
- **BD18** 1 Door/1 Drawer Base Cabinet
- **UP1884** 18" Wide Pantry (without Rollouts)
- **UP1890** 18" Wide Pantry (without Rollouts)
- **UP1894** 18" Wide Pantry (without Rollouts)

NOTE: Accessory is not installed, shipped separately.

3 BASKET WITH BOTTLE HOLDER



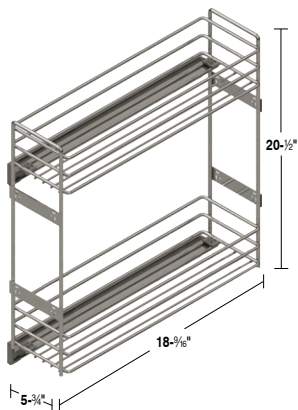
SKU	PRICE
CS-S2126	\$399

DESIGNED FOR USE IN

- **BH24** Full Height Base Cabinet
- **BD24** 1 Door/1 Drawer Base Cabinet
- **UP2484** 24" Wide Pantry (without Rollouts)
- **UP2490** 24" Wide Pantry (without Rollouts)
- **UP2494** 24" Wide Pantry (without Rollouts)

NOTE: Accessory is not installed, shipped separately.

UNIVERSAL RACK (SPICES & DETERGENTS)



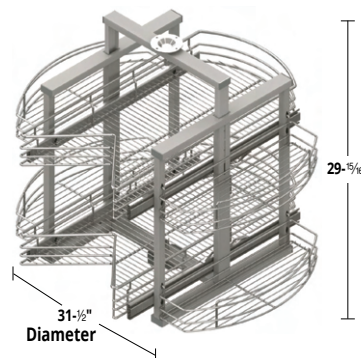
SKU	PRICE
CS-S2213	\$219

DESIGNED FOR USE IN

- **BH09** Full Height Base Cabinet

NOTE: Accessory is not installed, shipped separately.

TURNING BASKET WITH RAILS



SKU	PRICE
CS-S3041	\$1,795

DESIGNED FOR USE IN

- **BE36** Easy Reach Corner Cabinet

NOTE: Accessory is not installed, shipped separately in 2 boxes.



*Contact us for delivery times on multi-unit orders.



Standard Features |

INTERIOR COLOUR *Top/Bottom/Rails & Drawers	WHITE
EXTERIOR SIDE COLOUR	White
INTERIOR COLOUR *Cabinet Sides	White
VERTICAL EDGE TAPING *Exterior Side	White
HORIZONTAL EDGE TAPING	White
SOFT CLOSE HINGES	✓
SOFT CLOSE METABOX DRAWERS	✓

IMPORTANT

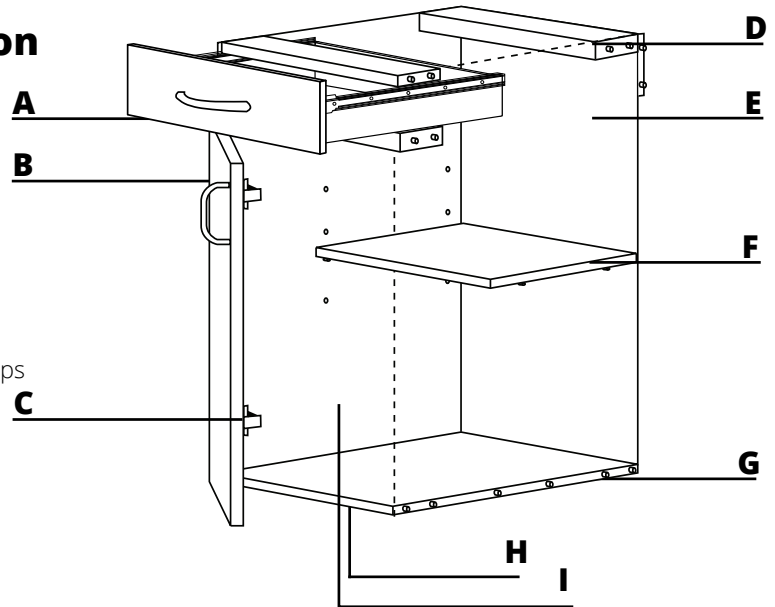
For accessible kitchen base cabinets, the contractor will have to build up a base on-site to the required elevated toe kick height (7-9"H max). Then the CS-97X9FB-WH will be used to cover the toe base.

QUALITY CABINETRY | Construction

*TOP DRAWER/FALSE FRONT IS 5"H.

Quality Cabinetry

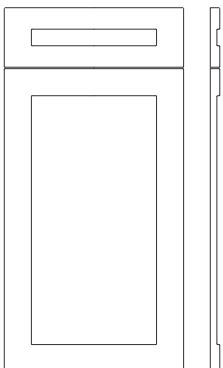
- A** Metabox (Epoxy Coated Steel Drawer Sides)
- B** 100% Melamine Interiors
- C** Soft Close Hinges
- D** 1 1/8" Support Rails (Excluding Drawer Banks)
- E** 1/8" Backing on all Cabinets
- F** 10 9/16" Deep Adjustable Cabinet Shelves 5/8" with locking clips
- G** Dowel and Glue Cabinet Construction
- H** White horizontal edge to match with interior of cab
- I** Gable Height is 25" H



NOTE: Cabinetsmith dimensions are subject to a +/- 2mm tolerance.

DOORSTYLE | Cabinetry is SSW only. SFW for hanging vanities only.

SSW HUNTSVILLE SHAKER



Specifications

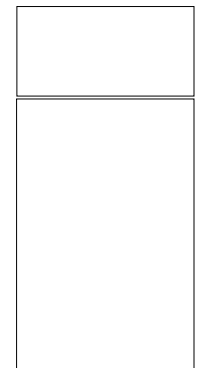
- Construction – square routed (2-piece)
- Door Panel – square recessed
- Drawer front – square recessed
- Profile – bevel edge inside and outside

Notes/Details

- 5"H drawer fronts have 1" high centre panel
- 3/4" Thermofoil

White (textured)	SSW	1.65
------------------	-----	------

SLAB FLAT WHITE SFW



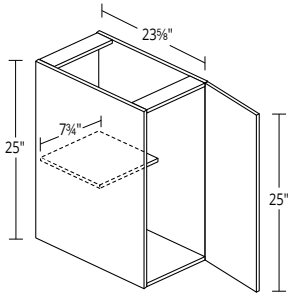
Notes/Details

- 3/4" thermofoil
- No glass prep available

HVA 30 & 36 Hanging vanities only

White	SFW	1.65
-------	-----	------

24" DEEP SINGLE FULL HEIGHT DOOR BASE



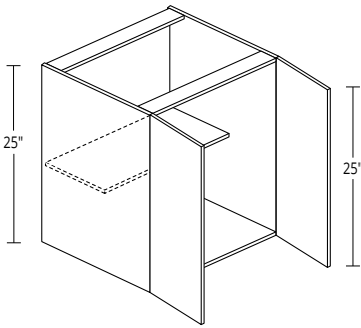
SIZE / SKU	PRICE
9"W BH0925 (L/R)	\$177
12"W BH1225 (L/R)	\$196
15"W BH1525 (L/R)	\$205
18"W BH1825 (L/R)	\$223
21"W BH2125 (L/R)	\$242

STANDARD FEATURES

Half-depth adjustable shelf (x1).

NOTE: For accessible kitchen base cabinets, contractor will have to build up a base on-site to the required elevated toe kick height (7-9"H max). Then the CS-97X9FB-WH will be used to cover the toe base.

24" DEEP DOUBLE FULL HEIGHT DOOR BASE



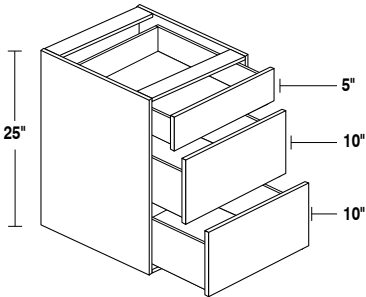
SIZE / SKU	PRICE
24"W BH2425	\$279
30"W BH3025	\$317
33"W BH3325	\$354

STANDARD FEATURES

Half-depth adjustable shelf (x1).

NOTE: For accessible kitchen base cabinets, contractor will have to build up a base on-site to the required elevated toe kick height (7-9"H max). Then the CS-97X9FB-WH will be used to cover the toe base.

24" DEEP 3 DRAWER BASE



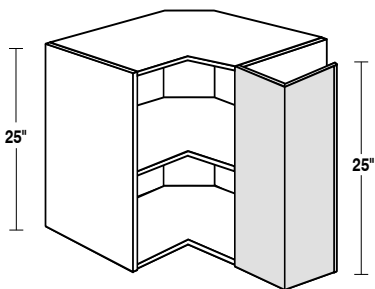
SIZE / SKU	PRICE
12"W DB1225-3	\$376
15"W DB1525-3	\$413
18"W DB1825-3	\$432

STANDARD FEATURES

Metabox drawer box system.

NOTE: For accessible kitchen base cabinets, contractor will have to build up a base on-site to the required elevated toe kick height (7-9"H max). Then the CS-97X9FB-WH will be used to cover the toe base.

ACCESSIBLE EASY REACH CORNER (L/R)



SIZE / SKU	PRICE
36"W BE3625 (L/R)	\$484

**Top View BE36*

STANDARD FEATURES

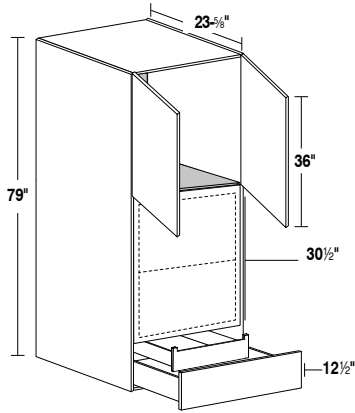
Full-depth adjustable shelf (x1).
5/8" Back panel.
2 bifold hinges.
BE36 fits butterfly sink only.

UPGRADES	PRICE
Lazy Susan PVC (36")	\$229

NOTE: For accessible kitchen base cabinets, contractor will have to build up a base on-site to the required elevated toe kick height (7-9"H max). Then the CS-97X9FB-WH will be used to cover the toe base.

ACCESSIBLE CABINETS - Available in SSW Only

80" HIGH ACCESSIBLE OVEN CABINET



SIZE / SKU	PRICE
33"W CS-OAS1IDRS3384	\$878

**Additional reinforcement/materials are recommended to be added at the time of installing any appliance to this cabinet. Please refer to the Manufacturers specs regarding installation requirements of any appliances.*

NOTE: For accessible kitchen base cabinets, contractor will have to build up a base on-site to the required elevated toe kick height (7-9"H max). Then the CS-97X9FB-WH will be used to cover the toe base.

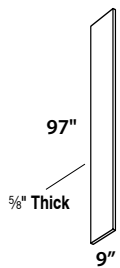
STANDARD FEATURES

Fixed Shelf (x2).
 Full depth adjustable Shelf (x1).
 Field cut panel - Requires L bracket. (not Incl.)
 Panel is 33"W x 35 1/4" (893mm)
 Max Cutout is 28"W x 29"H
 Rollout locations are predetermined.
 Appliance support not available.

UPGRADES	PRICE
Metabox Rollout (x2)	\$264

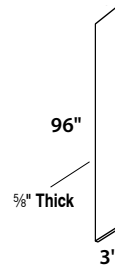
*Edgetape sold separately
 *Rollouts installed in bottom

97" FREEZEBOARD FILLER / 96" FILLER



SKU	Melamine (Select Series)	PRICE
CS-97X9FB-WH	WH=White (melamine)	\$42

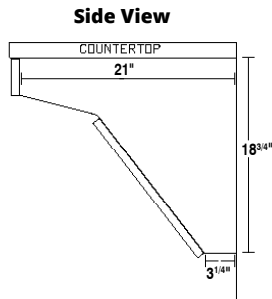
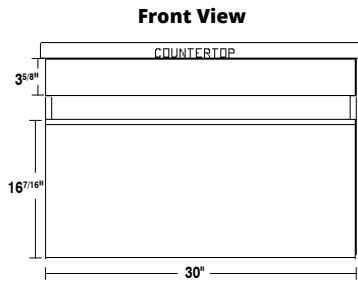
NOTE: CS-97x9FB-WH to be used to cover the toe base.
 *No Finished ends



SKU	PRICE
CS-96FILLER-EB2L-WH	\$40

*2 finished edges

30" / 36" ACCESSIBLE VANITY- AVAILABLE IN SLAB WHITE SFW ONLY



SIZE / SKU	PRICE
30"W HVA30	\$252
36"W HVA36	\$284

STANDARD FEATURES

Hanging vanity to allow for easy accessibility.
 Outsourced custom top required.

NOTE: When adding vanity drawer banks, vanity gable will need to be trimmed on site to match the height of the vanity.

Cabinetsmith 
style • quality • affordability

SELECT series

VANITY SPEC & PRICING

PRICING SHOWN IN LIST.

34.5" VANITIES | PAGES. 38-40

34.5" MODULAR VANITIES | PAGES. 41-43

30.5" MODULAR VANITIES | PAGES. 44-47

SELECT series

VANITY | Construction Overview



NOTCHED GABLE



SOFTCLOSE DOORS

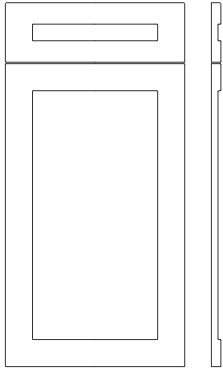


SOFTCLOSE DRAWERS

SELECT | Standard Features

INTERIOR COLOUR <i>*Top/Bottom/Rails & Drawers</i>	WHITE
INTERIOR COLOUR <i>*Cabinet Sides</i>	Colour Matched To Door
EXTERIOR SIDE COLOUR	Colour Matched To Door
VERTICAL EDGE TAPING <i>*Exterior Side</i>	Colour Matched To Door
HORIZONTAL EDGE TAPING	White
SOFT CLOSE HINGES	✓
SOFT CLOSE METABOX DRAWERS	✓

HUNTSVILLE SHAKER



Specifications

- Construction – square routed (2-piece)
- Door Panel – square recessed
- Drawer front – square recessed
- Profile – bevel edge inside and outside

Notes/Details

- 5"H drawer fronts have 1" high centre panel
- ¾" Thermofoil
- *SSS door is on standard white gable and will have different texture than door.

White	SSW
Antique White	SSA
Chocolate Pear	SSC

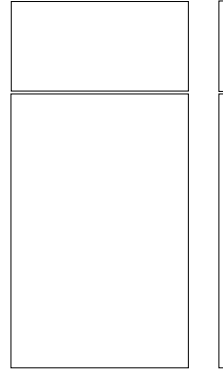
SOFT TOUCH

Dove	SSD
Willow	SSL

SMOOTH PAINT-LIKE FINISH

Smooth White	SSS
Charcoal	SSH

METRO SLAB



Specifications

- Construction – Square Slab
- Door Panel – slab
- Drawer Front – slab
- Profile – 90 degree square edge

Notes/Details

- ¾" Thermofoil
- No glass prep available

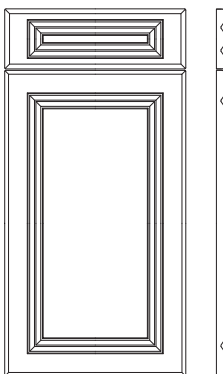
SMOOTH PAINT-LIKE FINISH

Smooth White	SMW
Charcoal	SMH

TEXTURED WOODGRAIN FINISH

Textured Banff	SMB
Textured Whistler	SMI

SIMCOE RAISED PANEL



Specifications

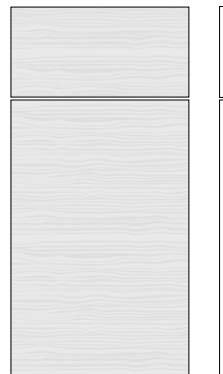
- Construction – square routed
- Door Panel – square routed raised
- Drawer Front – square routed raised
- Profile – sculpted outside edge

Notes/Details

- ¾" Thermofoil

White	TSW
-------	-----

INSPIRE SLAB



Specifications

- Construction – slab melamine with 1/8" thick woodgrain PVC edging
- Door Panel – slab
- Drawer Front – slab
- Profile – 90 degree square edge

Notes/Details

- No glass prep available
- Horizontal Grain Pattern for doors, drawers, base gables, wall gables, accessories, overlay panels.
- Vertical Grain Pattern for all Tall cabinets pantry, broom, utility hutch, oven, 96" filler.

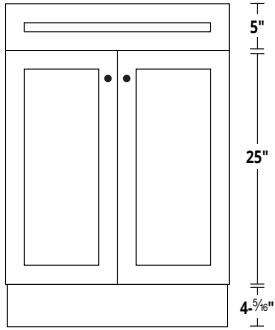
Arctic	IAR
Cliffstone	ICS
Black River	IBR

Quick Facts on Thermofoil Doors

Thermofoil doors and drawer fronts are constructed from one piece ¾" thick medium density fiberboard. The profile detail is routed into the fiberboard, then covered in 12-16mil thick thermofoil vinyl material. (White 12mil / Colours 16mil). Thermofoil vinyl material is applied with a specially formulated 2 part PUR adhesive to withstand heat of 110 degrees Celsius.

SELECT VANITIES | 34.5" COMFORT HEIGHT

24"W X 34.5"H | 2-DOOR VANITY



SIZE / SKU	
24"W	CS-VFH2421-xxx

*Replace xxx with door code below when ordering

STANDARD FEATURES

21" D | Notched gables | Soft close doors | *Not Pre-drilled for hardware.*

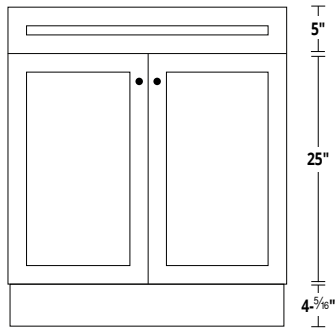
HUNTSVILLE SHAKER		
White	SSW	\$447.15
Antique White	SSA	\$460.70
Chocolate Pear	SSC	\$474.25
Dove	SSD	\$487.80
Willow	SSL	\$487.80
Smooth White	SSS	\$487.80
Charcoal	SSH	\$514.90

METRO SLAB		
Smooth White	SMW	\$460.70
Charcoal	SMH	\$487.80
Textured Banff	SMB	\$514.90
Textured Whistler	SMI	\$514.90

INSPIRE SLAB		
Arctic	IAR	\$460.70
Cliffstone	ICS	\$460.70
Black River	IBR	\$460.70

SIMCOE RAISED PANEL		
White	TSW	\$420.05

27"W X 34.5"H | 2-DOOR VANITY



SIZE / SKU	
27"W	CS-VFH2721-xxx

*Replace xxx with door code below when ordering

STANDARD FEATURES

21" D | Notched gables | Soft close doors | *Not Pre-drilled for hardware.*

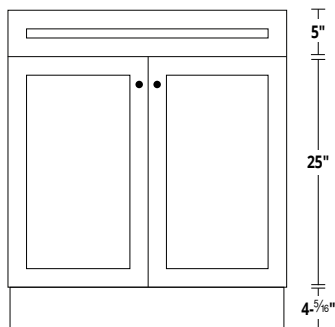
HUNTSVILLE SHAKER		
White	SSW	\$488.40
Antique White	SSA	\$503.20
Chocolate Pear	SSC	\$532.80
Dove	SSD	\$532.80
Willow	SSL	\$532.80
Smooth White	SSS	\$532.80
Charcoal	SSH	\$562.40

METRO SLAB		
Smooth White	SMW	\$503.20
Charcoal	SMH	\$532.80
Textured Banff	SMB	\$562.40
Textured Whistler	SMI	\$562.40

INSPIRE SLAB		
Arctic	IAR	\$503.20
Cliffstone	ICS	\$503.20
Black River	IBR	\$503.20

SIMCOE RAISED PANEL		
White	TSW	\$458.80

30"W X 34.5"H | 2-DOOR VANITY



SIZE / SKU	
30"W	CS-VFH3021-xxx

*Replace xxx with door code below when ordering

STANDARD FEATURES

21" D | Notched gables | Soft close doors | *Not Pre-drilled for hardware.*

HUNTSVILLE SHAKER		
White	SSW	\$516.45
Antique White	SSA	\$532.10
Chocolate Pear	SSC	\$547.75
Dove	SSD	\$563.40
Willow	SSL	\$563.40
Smooth White	SSS	\$563.40
Charcoal	SSH	\$594.70

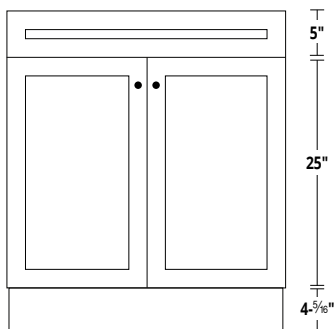
METRO SLAB		
Smooth White	SMW	\$532.10
Charcoal	SMH	\$563.40
Textured Banff	SMB	\$594.70
Textured Whistler	SMI	\$594.70

INSPIRE SLAB		
Arctic	IAR	\$532.10
Cliffstone	ICS	\$532.10
Black River	IBR	\$532.10

SIMCOE RAISED PANEL		
White	TSW	\$485.15

SELECT VANITIES | 34.5" COMFORT HEIGHT

33"W X 34.5"H | 2-DOOR VANITY



SIZE / SKU	
33"W	CS-VFH3321-xxx

STANDARD FEATURES

21" D | Notched gables | Soft close doors | *Not Pre-drilled for hardware.*

*Replace xxx with door code below when ordering

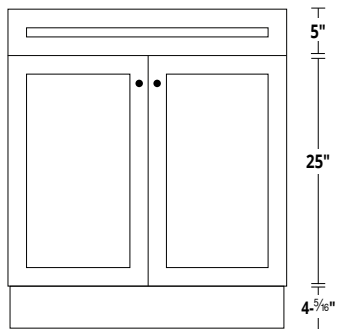
HUNTSVILLE SHAKER		
White	SSW	\$544.50
Antique White	SSA	\$561.00
Chocolate Pear	SSC	\$577.50
Dove	SSD	\$594.00
Willow	SSL	\$594.00
Smooth White	SSS	\$594.00
Charcoal	SSH	\$627.00

METRO SLAB		
Smooth White	SMW	\$561.00
Charcoal	SMH	\$594.00
Textured Banff	SMB	\$627.00
Textured Whistler	SMI	\$627.00

INSPIRE SLAB		
Arctic	IAR	\$561.00
Cliffstone	ICS	\$561.00
Black River	IBR	\$561.00

SIMCOE RAISED PANEL		
White	TSW	\$511.50

36"W X 34.5"H | 2-DOOR VANITY



SIZE / SKU	
36"W	CS-VFH3621-xxx

STANDARD FEATURES

21" D | Notched gables | Soft close doors | *Not Pre-drilled for hardware.*

*Replace xxx with door code below when ordering

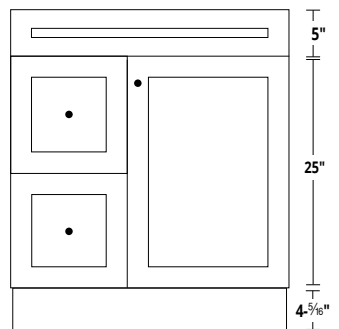
HUNTSVILLE SHAKER		
White	SSW	\$587.40
Antique White	SSA	\$605.20
Chocolate Pear	SSC	\$623.00
Dove	SSD	\$640.80
Willow	SSL	\$640.80
Smooth White	SSS	\$640.80
Charcoal	SSH	\$676.40

METRO SLAB		
Smooth White	SMW	\$605.20
Charcoal	SMH	\$640.80
Textured Banff	SMB	\$676.40
Textured Whistler	SMI	\$676.40

INSPIRE SLAB		
Arctic	IAR	\$605.20
Cliffstone	ICS	\$605.20
Black River	IBR	\$605.20

SIMCOE RAISED PANEL		
White	TSW	\$511.80

30"W X 34.5"H | 1-DOOR / 2-DRAWER VANITY (L/R)



Left Hand Shown

SIZE / SKU	
30"W	CS-V2D3021(L/R)-xxx

STANDARD FEATURES

21" D | Notched gables | Soft close doors | Soft close metabox drawers
Not Pre-drilled for hardware.

*Replace xxx with door code below when ordering

HUNTSVILLE SHAKER		
White	SSW	\$697.95
Antique White	SSA	\$719.10
Chocolate Pear	SSC	\$740.25
Dove	SSD	\$761.40
Willow	SSL	\$761.40
Smooth White	SSS	\$761.40
Charcoal	SSH	\$803.70

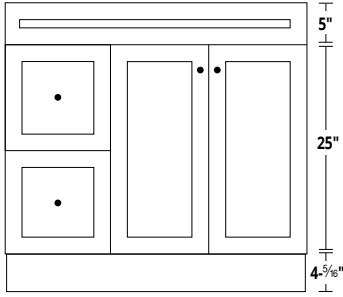
METRO SLAB		
Smooth White	SMW	\$719.10
Charcoal	SMH	\$761.40
Textured Banff	SMB	\$803.70
Textured Whistler	SMI	\$803.70

INSPIRE SLAB		
Arctic	IAR	\$719.10
Cliffstone	ICS	\$719.10
Black River	IBR	\$719.10

SIMCOE RAISED PANEL		
White	TSW	\$655.65

SELECT VANITIES | 34.5" COMFORT HEIGHT

36"W X 34.5"H | 2-DOOR / 2-DRAWER VANITY



SIZE / SKU	
36"W	CS-V2D3621(L/R)-xxx

*Replace xxx with door code below when ordering

HUNTSVILLE SHAKER		
White	SSW	\$823.35
Antique White	SSA	\$848.30
Chocolate Pear	SSC	\$873.25
Dove	SSD	\$898.20
Willow	SSL	\$898.20
Smooth White	SSS	\$898.20
Charcoal	SSH	\$948.10

STANDARD FEATURES

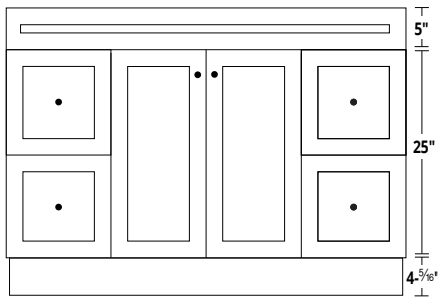
21" D | Notched gables | Soft close doors | Soft close metabox drawers
Not Pre-drilled for hardware.

METRO SLAB		
Smooth White	SMW	\$848.30
Charcoal	SMH	\$898.20
Textured Banff	SMB	\$948.10
Textured Whistler	SMI	\$948.10

INSPIRE SLAB		
Arctic	IAR	\$848.30
Cliffstone	ICS	\$848.30
Black River	IBR	\$848.30

SIMCOE RAISED PANEL		
White	TSW	\$773.45

48"W X 34.5"H | 2-DOOR / 4-DRAWER VANITY



SIZE / SKU	
48"W	CS-V4D4821-xxx

*Replace xxx with door code below when ordering

HUNTSVILLE SHAKER		
White	SSW	\$1,128.60
Antique White	SSA	\$1,162.80
Chocolate Pear	SSC	\$1,197.00
Dove	SSD	\$1,231.20
Willow	SSL	\$1,231.20
Smooth White	SSS	\$1,231.20
Charcoal	SSH	\$1,299.60

STANDARD FEATURES

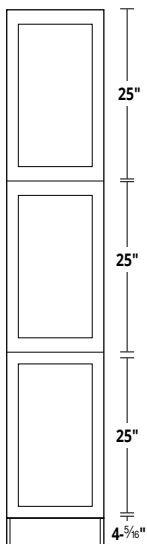
21" D | Notched gables | Soft close doors | Soft close metabox drawers
Not Pre-drilled for hardware.

METRO SLAB		
Smooth White	SMW	\$1,162.80
Charcoal	SMH	\$1,231.20
Textured Banff	SMB	\$1,299.60
Textured Whistler	SMI	\$1,299.60

INSPIRE SLAB		
Arctic	IAR	\$1,162.80
Cliffstone	ICS	\$1,162.80
Black River	IBR	\$1,162.80

SIMCOE RAISED PANEL		
White	TSW	\$1,060.20

15"W X 80"H | 3-DOOR LINEN TOWER (L/R)



SIZE / SKU	
15"W	CS-VL1580(L/R)-xxx

*Replace xxx with door code below when ordering

HUNTSVILLE SHAKER		
White	SSW	\$810.15
Antique White	SSA	\$834.70
Chocolate Pear	SSC	\$859.25
Dove	SSD	\$883.80
Willow	SSL	\$883.80
Smooth White	SSS	\$883.80
Charcoal	SSH	\$932.90

STANDARD FEATURES

21" D | Notched gables | Soft close doors | X3 Adjustable shelves
Not Pre-drilled for hardware.

METRO SLAB		
Smooth White	SMW	\$834.70
Charcoal	SMH	\$883.80
Textured Banff	SMB	\$932.90
Textured Whistler	SMI	\$932.90

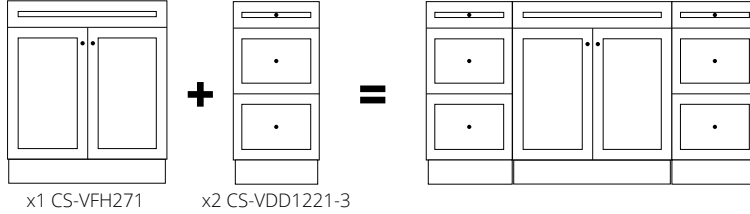
INSPIRE SLAB		
Arctic	IAR	\$834.70
Cliffstone	ICS	\$834.70
Black River	IBR	\$834.70

SIMCOE RAISED PANEL		
White	TSW	\$761.05

34.5"H CABINETSMITH SELECT MODULAR VANITY OPTIONS

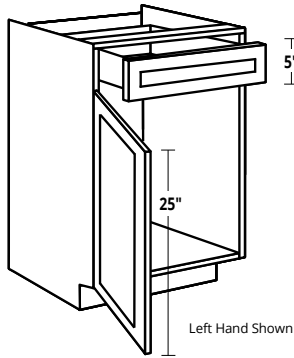
Modular Vanities act as separate cabinets which are used together to create a finished Vanity design. (*Requires custom tops not available through Cabinetsmith)

EXAMPLE: I have a customer that wants to fill a 51" space and will be ordering a custom top. Using a **27" 2-Door Vanity** (CS-VFH271) paired with two **12" 3-Drawer Banks** (CS-VDB1221-3) I can make up the total space of 51" with plenty of storage and functionality.



Make up odd size spacing with Filler Strips (pg.24) & don't forget your Vanity Toe Kick (pg.25) when ordering.

12"W | 1-DOOR / 1-DRAWER MODULAR CABINET (L/R)



SIZE / SKU	
12"W	CS-VDD1221-xxx

STANDARD FEATURES

21" D | Notched gables | Soft close doors | Soft close metabox drawer
Not Pre-drilled for hardware.

*Replace xxx with door code below when ordering

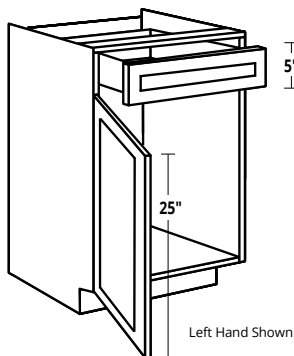
HUNTSVILLE SHAKER		
White	SSW	\$410.85
Antique White	SSA	\$423.30
Chocolate Pear	SSC	\$435.75
Dove	SSD	\$448.20
Willow	SSL	\$448.20
Smooth White	SSS	\$448.20
Charcoal	SSH	\$473.10

METRO SLAB		
Smooth White	SMW	\$423.30
Charcoal	SMH	\$448.20
Textured Banff	SMB	\$473.10
Textured Whistler	SMI	\$473.10

INSPIRE SLAB		
Arctic	IAR	\$423.30
Cliffstone	ICS	\$423.30
Black River	IBR	\$423.30

SIMCOE RAISED PANEL		
White	TSW	\$385.95

15"W | 1-DOOR / 1-DRAWER MODULAR CABINET (L/R)



SIZE / SKU	
15"W	CS-VDD1521-xxx

STANDARD FEATURES

21" D | Notched gables | Soft close doors | Soft close metabox drawer
Not Pre-drilled for hardware.

*Replace xxx with door code below when ordering

HUNTSVILLE SHAKER		
White	SSW	\$438.90
Antique White	SSA	\$452.20
Chocolate Pear	SSC	\$465.50
Dove	SSD	\$478.80
Willow	SSL	\$478.80
Smooth White	SSS	\$478.80
Charcoal	SSH	\$505.40

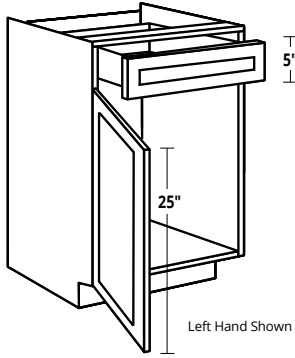
METRO SLAB		
Smooth White	SMW	\$452.20
Charcoal	SMH	\$478.80
Textured Banff	SMB	\$505.40
Textured Whistler	SMI	\$505.40

INSPIRE SLAB		
Arctic	IAR	\$452.20
Cliffstone	ICS	\$452.20
Black River	IBR	\$452.20

SIMCOE RAISED PANEL		
White	TSW	\$412.30

SELECT VANITIES | 34.5"H MODULAR OPTIONS

18"W | 1-DOOR / 1-DRAWER MODULAR CABINET (L/R)



SIZE / SKU	
18"W	CS-VDD1821(L/R)-xxx

*Replace xxx with door code below when ordering

STANDARD FEATURES

21" D | Notched gables | Soft close doors | Soft close metabox drawer
Not Pre-drilled for hardware.

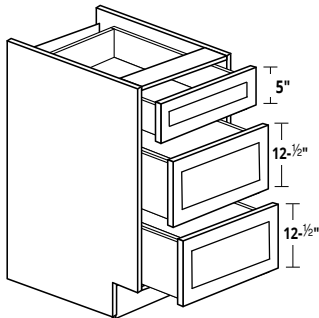
HUNTSVILLE SHAKER		
White	SSW	\$466.95
Antique White	SSA	\$481.10
Chocolate Pear	SSC	\$495.25
Dove	SSD	\$509.40
Willow	SSL	\$509.40
Smooth White	SSS	\$509.40
Charcoal	SSH	\$537.70

METRO SLAB		
Smooth White	SMW	\$481.10
Charcoal	SMH	\$509.40
Textured Banff	SMB	\$537.70
Textured Whistler	SMI	\$537.70

INSPIRE SLAB		
Arctic	IAR	\$481.10
Cliffstone	ICS	\$481.10
Black River	IBR	\$481.10

SIMCOE RAISED PANEL		
White	TSW	\$438.65

12"W | 3-DRAWER MODULAR CABINET



SIZE / SKU	
12"W	CS-VDB1221-3-xxx

*Replace xxx with door code below when ordering

STANDARD FEATURES

21" D | Notched gables | Soft close metabox drawers
Not Pre-drilled for hardware.

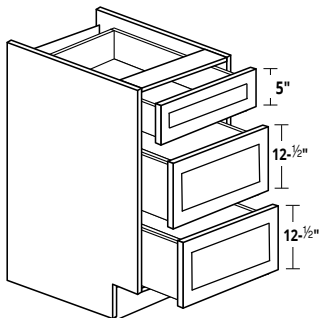
HUNTSVILLE SHAKER		
White	SSW	\$773.85
Antique White	SSA	\$797.30
Chocolate Pear	SSC	\$820.75
Dove	SSD	\$844.20
Willow	SSL	\$844.20
Smooth White	SSS	\$844.20
Charcoal	SSH	\$891.10

METRO SLAB		
Smooth White	SMW	\$797.30
Charcoal	SMH	\$844.20
Textured Banff	SMB	\$891.10
Textured Whistler	SMI	\$891.10

INSPIRE SLAB		
Arctic	IAR	\$797.30
Cliffstone	ICS	\$797.30
Black River	IBR	\$797.30

SIMCOE RAISED PANEL		
White	TSW	\$726.95

15"W | 3-DRAWER MODULAR CABINET



SIZE / SKU	
15"W	CS-VDB1521-3-xxx

*Replace xxx with door code below when ordering

STANDARD FEATURES

21" D | Notched gables | Soft close metabox drawers
Not Pre-drilled for hardware.

HUNTSVILLE SHAKER		
White	SSW	\$745.80
Antique White	SSA	\$768.40
Chocolate Pear	SSC	\$791.00
Dove	SSD	\$813.60
Willow	SSL	\$813.60
Smooth White	SSS	\$813.60
Charcoal	SSH	\$858.80

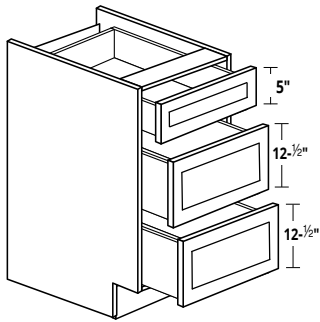
METRO SLAB		
Smooth White	SMW	\$768.40
Charcoal	SMH	\$813.60
Textured Banff	SMB	\$858.80
Textured Whistler	SMI	\$858.80

INSPIRE SLAB		
Arctic	IAR	\$768.40
Cliffstone	ICS	\$768.40
Black River	IBR	\$768.40

SIMCOE RAISED PANEL		
White	TSW	\$700.60

SELECT VANITIES | 34.5"H MODULAR OPTIONS

18"W | 3-DRAWER MODULAR CABINET



SIZE / SKU	
18"W	CS-VDB1821-3-xxx

STANDARD FEATURES

21" D | Notched gables | Soft close doors | *Not Pre-drilled for hardware.*

**Replace xxx with door code below when ordering*

HUNTSVILLE SHAKER		
White	SSW	\$773.85
Antique White	SSA	\$797.30
Chocolate Pear	SSC	\$820.75
Dove	SSD	\$844.20
Willow	SSL	\$844.20
Smooth White	SSS	\$844.20
Charcoal	SSH	\$891.10

METRO SLAB		
Smooth White	SMW	\$797.30
Charcoal	SMH	\$844.20
Textured Banff	SMB	\$891.10
Textured Whistler	SMI	\$891.10

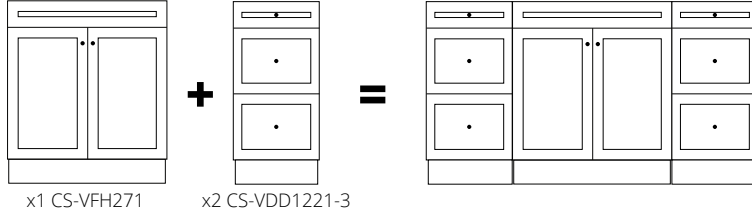
INSPIRE SLAB		
Arctic	IAR	\$797.30
Cliffstone	ICS	\$797.30
Black River	IBR	\$797.30

SIMCOE RAISED PANEL		
White	TSW	\$726.95

30.5"H CABINETSMITH SELECT MODULAR VANITY OPTIONS

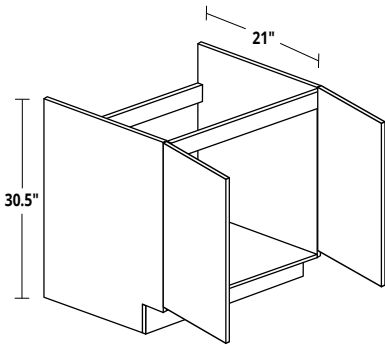
Modular Vanities act as separate cabinets which are used together to create a finished Vanity design. (*Requires custom tops not available through Cabinetsmith)

EXAMPLE: I have a customer that wants to fill a 51" space and will be ordering a custom top. Using a **27" 2-Door Vanity** (CS-VFH271) paired with two **12" 3-Drawer Banks** (CS-VDB1221-3) I can make up the total space of 51" with plenty of storage and functionality.



Make up odd size spacing with Filler Strips (pg.24) & don't forget your Vanity Toe Kick (pg.25) when ordering.

24"W X 30.5"H | 2 FULL HEIGHT DOOR VANITY



SIZE / SKU	
24"W	CS-VF2421-30-xxx

STANDARD FEATURES

21" D | Notched gables | Soft close doors | *Not Pre-drilled for hardware.*

*Replace xxx with door code below when ordering

HUNTSVILLE SHAKER		
White	SSW	\$387.75
Antique White	SSA	\$399.50
Chocolate Pear	SSC	\$411.25
Dove	SSD	\$423.00
Willow	SSL	\$423.00
Smooth White	SSS	\$423.00
Charcoal	SSH	\$446.50

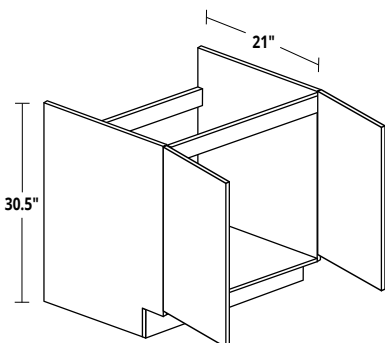
METRO SLAB		
Smooth White	SMW	\$399.50
Charcoal	SMH	\$423.00
Textured Banff	SMB	\$423.00
Textured Whistler	SMI	\$446.50

INSPIRE SLAB		
Arctic	IAR	\$399.50
Cliffstone	ICS	\$399.50
Black River	IBR	\$399.50

SIMCOE RAISED PANEL		
White	TSW	\$364.25

NOTE: Toekicks are not included in 30.5"H Vanities, and must be ordered separate. (CS-96VK pg. 25)

27"W X 30.5"H | 2 FULL HEIGHT DOOR VANITY



SIZE / SKU	
27"W	CS-VF2721-30-xxx

STANDARD FEATURES

21" D | Notched gables | Soft close doors | *Not Pre-drilled for hardware.*

*Replace xxx with door code below when ordering

HUNTSVILLE SHAKER		
White	SSW	\$419.10
Antique White	SSA	\$431.80
Chocolate Pear	SSC	\$444.50
Dove	SSD	\$457.20
Willow	SSL	\$457.20
Smooth White	SSS	\$457.20
Charcoal	SSH	\$482.60

METRO SLAB		
Smooth White	SMW	\$431.80
Charcoal	SMH	\$457.20
Textured Banff	SMB	\$482.60
Textured Whistler	SMI	\$482.60

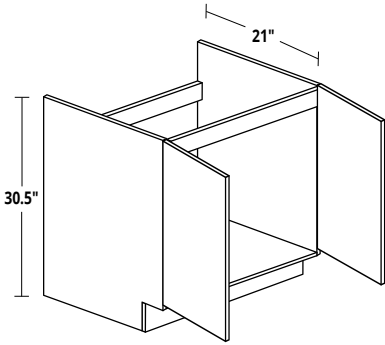
INSPIRE SLAB		
Arctic	IAR	\$431.80
Cliffstone	ICS	\$431.80
Black River	IBR	\$431.80

SIMCOE RAISED PANEL		
White	TSW	\$393.70

NOTE: Toekicks are not included in 30.5"H Vanities, and must be ordered separate. (CS-96VK pg. 25)

SELECT VANITIES | 30.5"H MODULAR OPTIONS

30"W X 30.5"H | 2 FULL HEIGHT DOOR VANITY



SIZE / SKU	
30"W	CS-VF3021-30-xxx

STANDARD FEATURES

21" D | Notched gables | Soft close doors | *Not Pre-drilled for hardware.*

*Replace xxx with door code below when ordering

HUNTSVILLE SHAKER		
White	SSW	\$447.15
Antique White	SSA	\$460.70
Chocolate Pear	SSC	\$474.25
Dove	SSD	\$487.80
Willow	SSL	\$487.80
Smooth White	SSS	\$487.80
Charcoal	SSH	\$514.90

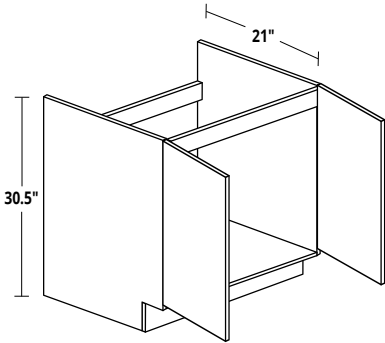
METRO SLAB		
Smooth White	SMW	\$460.70
Charcoal	SMH	\$487.80
Textured Banff	SMB	\$514.90
Textured Whistler	SMI	\$514.90

INSPIRE SLAB		
Arctic	IAR	\$460.70
Cliffstone	ICS	\$460.70
Black River	IBR	\$460.70

SIMCOE RAISED PANEL		
White	TSW	\$420.05

NOTE: Toekicks are not included in 30.5"H Vanities, and must be ordered separate. (CS-96VK pg. 25)

33"W X 30.5"H | 2 FULL HEIGHT DOOR VANITY



SIZE / SKU	
33"W	CS-VF3321-30-xxx

STANDARD FEATURES

21" D | Notched gables | Soft close doors | *Not Pre-drilled for hardware.*

*Replace xxx with door code below when ordering

HUNTSVILLE SHAKER		
White	SSW	\$587.40
Antique White	SSA	\$605.20
Chocolate Pear	SSC	\$623.00
Dove	SSD	\$640.80
Willow	SSL	\$640.80
Smooth White	SSS	\$640.80
Charcoal	SSH	\$676.40

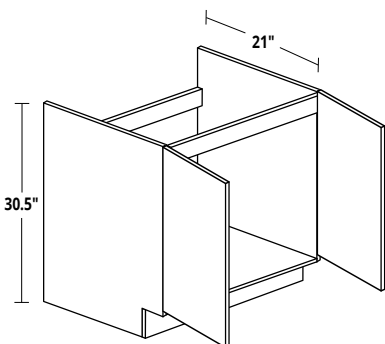
METRO SLAB		
Smooth White	SMW	\$605.20
Charcoal	SMH	\$640.80
Textured Banff	SMB	\$676.40
Textured Whistler	SMI	\$676.40

INSPIRE SLAB		
Arctic	IAR	\$605.20
Cliffstone	ICS	\$605.20
Black River	IBR	\$605.20

SIMCOE RAISED PANEL		
White	TSW	\$511.80

NOTE: Toekicks are not included in 30.5"H Vanities, and must be ordered separate. (CS-96VK pg. 25)

36"W X 30.5"H | 2 FULL HEIGHT DOOR VANITY



SIZE / SKU	
36"W	CS-VF3621-30-xxx

STANDARD FEATURES

21" D | Notched gables | Soft close doors | Soft close metabox drawers
Not Pre-drilled for hardware.

*Replace xxx with door code below when ordering

HUNTSVILLE SHAKER		
White	SSW	\$504.90
Antique White	SSA	\$520.20
Chocolate Pear	SSC	\$535.50
Dove	SSD	\$550.80
Willow	SSL	\$550.80
Smooth White	SSS	\$550.80
Charcoal	SSH	\$581.40

METRO SLAB		
Smooth White	SMW	\$520.20
Charcoal	SMH	\$550.80
Textured Banff	SMB	\$581.40
Textured Whistler	SMI	\$581.40

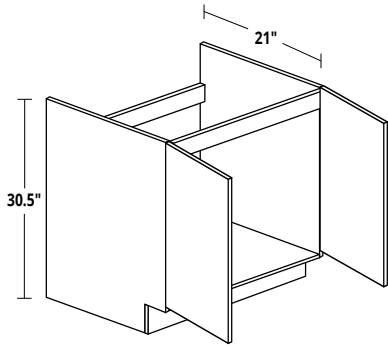
INSPIRE SLAB		
Arctic	IAR	\$520.20
Cliffstone	ICS	\$520.20
Black River	IBR	\$520.20

SIMCOE RAISED PANEL		
White	TSW	\$474.30

NOTE: Toekicks are not included in 30.5"H Vanities, and must be ordered separate. (CS-96VK pg. 25)

SELECT VANITIES | 30.5"H MODULAR OPTIONS

42"W X 30.5"H | 2 FULL HEIGHT DOOR VANITY



SIZE / SKU	
42"W	CS-VF4221-30-xxx

STANDARD FEATURES

21" D | Notched gables | Soft close doors | *Not Pre-drilled for hardware.*

*Replace xxx with door code below when ordering

HUNTSVILLE SHAKER		
White	SSW	\$536.25
Antique White	SSA	\$552.50
Chocolate Pear	SSC	\$568.75
Dove	SSD	\$585.00
Willow	SSL	\$585.00
Smooth White	SSS	\$585.00
Charcoal	SSH	\$617.50

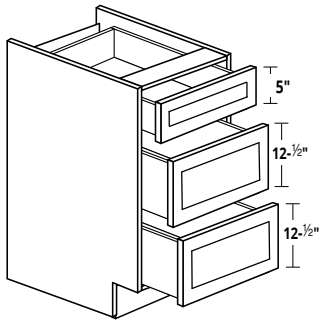
METRO SLAB		
Smooth White	SMW	\$552.50
Charcoal	SMH	\$585.00
Textured Banff	SMB	\$617.50
Textured Whistler	SMI	\$617.50

INSPIRE SLAB		
Arctic	IAR	\$552.50
Cliffstone	ICS	\$552.50
Black River	IBR	\$552.50

SIMCOE RAISED PANEL		
White	TSW	\$503.75

NOTE: Toekicks are not included in 30.5"H Vanities, and must be ordered separate. (CS-96VK pg. 25)

12"W X 30.5"H | 3-DRAWER MODULAR CABINET



SIZE / SKU	
12"W	CS-VDB1221-3-30-xxx

STANDARD FEATURES

21" D | Notched gables | Soft close metabox drawers
Not Pre-drilled for hardware.

HUNTSVILLE SHAKER		
White	SSW	\$620.40
Antique White	SSA	\$639.20
Chocolate Pear	SSC	\$658.00
Dove	SSD	\$676.80
Willow	SSL	\$676.80
Smooth White	SSS	\$676.80
Charcoal	SSH	\$714.40

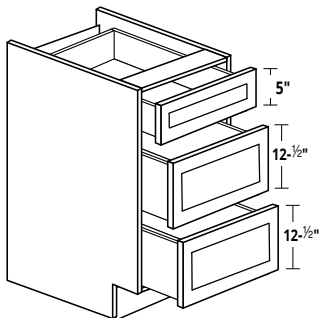
METRO SLAB		
Smooth White	SMW	\$639.20
Charcoal	SMH	\$676.80
Textured Banff	SMB	\$714.40
Textured Whistler	SMI	\$714.40

INSPIRE SLAB		
Arctic	IAR	\$639.20
Cliffstone	ICS	\$639.20
Black River	IBR	\$639.20

SIMCOE RAISED PANEL		
White	TSW	\$582.80

NOTE: Toekicks are not included in 30.5"H Vanities, and must be ordered separate. (CS-96VK pg. 25)

15"W X 30.5"H | 3-DRAWER MODULAR CABINET



SIZE / SKU	
15"W	CS-VDB1521-3-30-xxx

STANDARD FEATURES

21" D | Notched gables | Soft close metabox drawers
Not Pre-drilled for hardware.

HUNTSVILLE SHAKER		
White	SSW	\$676.50
Antique White	SSA	\$697.00
Chocolate Pear	SSC	\$717.50
Dove	SSD	\$738.00
Willow	SSL	\$738.00
Smooth White	SSS	\$738.00
Charcoal	SSH	\$779.00

METRO SLAB		
Smooth White	SMW	\$697.00
Charcoal	SMH	\$738.00
Textured Banff	SMB	\$779.00
Textured Whistler	SMI	\$779.00

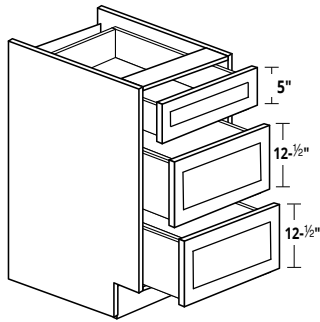
INSPIRE SLAB		
Arctic	IAR	\$697.00
Cliffstone	ICS	\$697.00
Black River	IBR	\$697.00

SIMCOE RAISED PANEL		
White	TSW	\$635.50

NOTE: Toekicks are not included in 30.5"H Vanities, and must be ordered separate. (CS-96VK pg. 25)

SELECT VANITIES | 30.5"H MODULAR OPTIONS

18"W X 30.5"H | 3-DRAWER MODULAR CABINET



SIZE / SKU	
18"W	CS-VDB1821-3-30-xxx

STANDARD FEATURES

21" D | Notched gables | Soft close metabox drawers
Not Pre-drilled for hardware.

**Replace xxx with door code below when ordering*

HUNTSVILLE SHAKER		
White	SSW	\$704.55
Antique White	SSA	\$725.90
Chocolate Pear	SSC	\$747.25
Dove	SSD	\$768.60
Willow	SSL	\$768.60
Smooth White	SSS	\$768.60
Charcoal	SSH	\$811.30

METRO SLAB		
Smooth White	SMW	\$725.90
Charcoal	SMH	\$768.60
Textured Banff	SMB	\$811.30
Textured Whistler	SMI	\$811.30

INSPIRE SLAB		
Arctic	IAR	\$725.90
Cliffstone	ICS	\$725.90
Black River	IBR	\$725.90

SIMCOE RAISED PANEL		
White	TSW	\$661.85

NOTE: Toekicks are not included in 30.5"H Vanities, and must be ordered separate. (CS-96VK pg. 25)



FULL GABLE



SOFTCLOSE DOORS



SOFTCLOSE DRAWERS

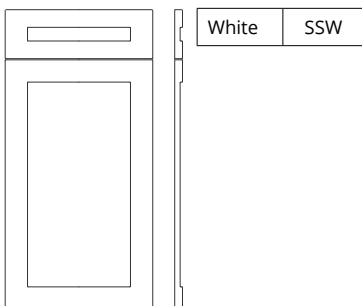
SELECT PLUS | Standard Features

INTERIOR COLOUR <i>*Top/Bottom/Rails & Drawers</i>	WHITE
HORIZONTAL EDGE TAPING	White
SOFT CLOSE HINGES	✓
SOFT CLOSE METABOX DRAWERS	✓



6-3/16" FRONTS

SSW HUNTSVILLE SHAKER



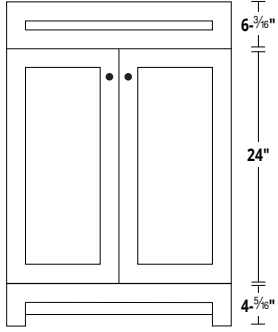
KNOB/PULL HARDWARE OPTIONS

Select Plus Vanities can be pre-drilled for knob or pull hardware. Also available not drilled.
Hardware options: Canterbury Knob / Bar Handle (128mmCC) / Zinc Square Knob / D Handle (128mmCC)
Finishes: Brushed Nickel, Brushed Brass, Matte Black or Oil Rubbed Bronze



SELECT PLUS VANITIES | EASY ORDER COMBOS

24"W X 34.5"H | 2-DOOR VANITY



STANDARD FEATURES

21" D | Full side gables | Soft close doors | *Pre-drilling available for hardware*
 *Decorative Toe Kick included in price. Deduct \$60 for standard/recessed Toe Kicks.

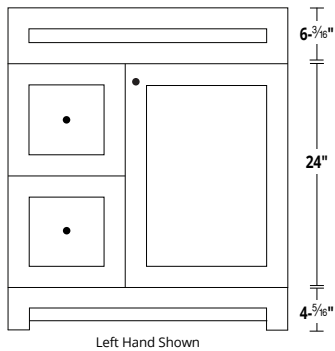
COMBO PRICING

SIZE / SKU	Vanity Only PRICE
24"W CS-VFHS2421-SSW	\$457.50

CULTURED MARBLE
\$766.14

(*Top Packaged separately)

30"W X 34.5"H | 2-DOOR / 2-DRAWER VANITY (L/R)



STANDARD FEATURES

21" D | Full side gables | Soft close door | Soft close metabox drawers | *Pre-drilling available for hardware*
 *Decorative Toe Kick included in price. Deduct \$60 for standard/recessed Toe Kicks.

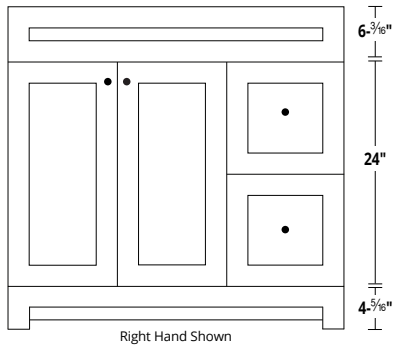
COMBO PRICING

SIZE / SKU	Vanity Only PRICE
30"W CS-V2DS3021-SSW (L/R)	\$695.00

CULTURED MARBLE	PRISM QUARTZ
\$1,021.05	\$1,290.97

(*Top Packaged separately)

36"W X 34.5"H | 2-DOOR / 2-DRAWER VANITY (L/R)



STANDARD FEATURES

21" D | Full side gables | Soft close door | Soft close metabox drawers | *Pre-drilling available for hardware*
 *Decorative Toe Kick included in price. Deduct \$60 for standard/recessed Toe Kicks.

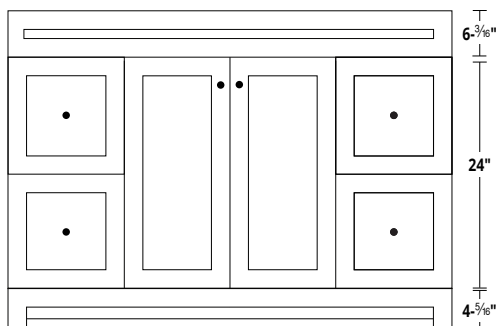
COMBO PRICING

SIZE / SKU	Vanity Only PRICE
36"W CS-V2DS3621-SSW (L/R)	\$815.00

CULTURED MARBLE	PRISM QUARTZ
\$1,209.63	\$1,475.98

(*Top Packaged separately)

48"W X 34.5"H | 2-DOOR / 4-DRAWER VANITY



STANDARD FEATURES

21" D | Full side gables | Soft close doors | Soft close metabox drawers | *Pre-drilling available for hardware*
 *Decorative Toe Kick included in price. Deduct \$60 for standard/recessed Toe Kicks.

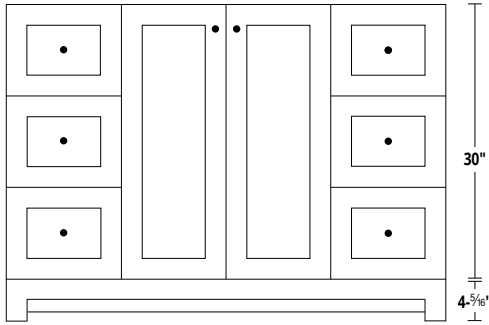
COMBO PRICING

SIZE / SKU	Vanity Only PRICE
48"W CS-V4DS4821-SSW	\$1,122.50

CULTURED MARBLE	PRISM QUARTZ
\$1,625.27	\$1,818.00

SELECT PLUS VANITIES | EASY ORDER COMBOS

48"W X 34.5"H | 2-DOOR / 6-DRAWER VANITY



STANDARD FEATURES

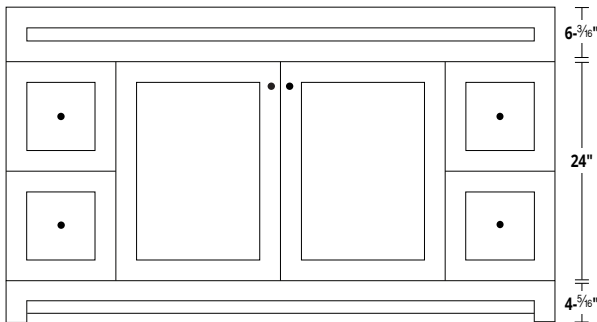
21" D | Full side gables | Soft close doors | Soft close metabox drawers | *Pre-drilling available for hardware*
 *Decorative Toe Kick included in price. Deduct \$60 for standard/recessed Toe Kicks.

COMBO PRICING

SIZE / SKU		Vanity Only PRICE	CULTURED MARBLE	PRISM QUARTZ
48"W	CS-V6DS4821-SSW	\$1,322.50	\$1,825.27	\$2,018.00

(*Top Packaged separately)

60"W X 34.5"H | 2-DOOR / 4-DRAWER SINGLE SINK VANITY



STANDARD FEATURES

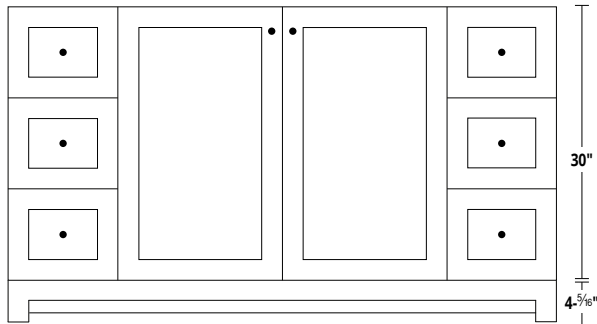
21" D | Full side gables | Soft close doors | Soft close metabox drawers | *Pre-drilling available for hardware*
 *Decorative Toe Kick included in price. Deduct \$60 for standard/recessed Toe Kicks.

COMBO PRICING

SIZE / SKU		Vanity Only PRICE	CULTURED MARBLE	PRISM QUARTZ
60"W	CS-V4DS6021-SSW	\$1,372.50	\$2,000.97	\$2,408.11

(*Top Packaged separately)

60"W X 34.5"H | 2-DOOR / 6-DRAWER SINGLE SINK VANITY



STANDARD FEATURES

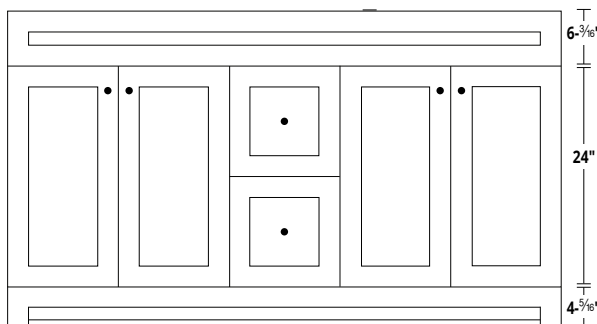
21" D | Full side gables | Soft close doors | Soft close metabox drawers | *Pre-drilling available for hardware*
 *Decorative Toe Kick included in price. Deduct \$60 for standard/recessed Toe Kicks.

COMBO PRICING

SIZE / SKU		Vanity Only PRICE	CULTURED MARBLE	PRISM QUARTZ
60"W	CS-V6DS6021-SSW	\$1,572.50	\$2,200.97	\$2,608.11

(*Top Packaged separately)

60"W X 34.5"H | 4-DOOR / 2-DRAWER DOUBLE SINK VANITY



STANDARD FEATURES

21" D | Full side gables | Soft close doors | Soft close metabox drawers | *Pre-drilling available for hardware*
 *Decorative Toe Kick included in price. Deduct \$60 for standard/recessed Toe Kicks.

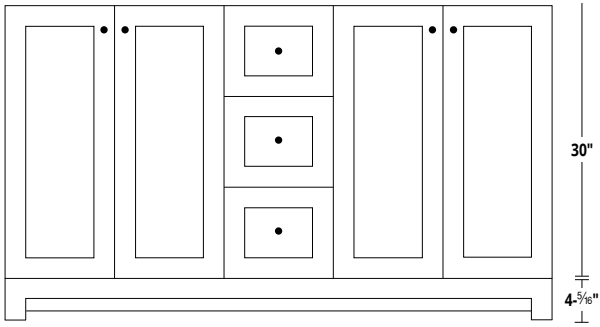
COMBO PRICING

SIZE / SKU		Vanity Only PRICE	CULTURED MARBLE	PRISM QUARTZ
60"W	CS-V2DS6021-SSW	\$1,217.50	\$1,897.70	\$2,429.56

(*Top Packaged separately)

SELECT PLUS VANITIES | EASY ORDER COMBOS

60"W X 34.5"H | 4-DOOR / 3-DRAWER DOUBLE SINK VANITY



STANDARD FEATURES

21" D | Full side gables | Soft close doors | Soft close metabox drawers | *Pre-drilling available for hardware*
 *Decorative Toe Kick included in price. Deduct \$60 for standard/recessed Toe Kicks.

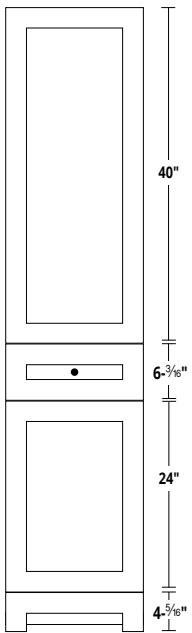
COMBO PRICING

SIZE / SKU	Vanity Only PRICE
60"W CS-V3DS6021-SSW	\$1,317.50

CULTURED MARBLE	PRISM QUARTZ
\$1,997.70	\$2,529.56

(*Top Packaged separately)

15"W X 75"H | 2-DOOR / 1-DRAWER LINEN TOWER (L/R)



STANDARD FEATURES

18" D | Full side gables | Soft close doors | Soft close metabox drawer | X3 Adjustable shelf | *Pre-drilling available for hardware*
 *Decorative Toe Kick included in price. Deduct \$60 for standard/recessed Toe Kicks.

SIZE / SKU	PRICE
15"W CS-VL1DS1575-SSW (L/R)	\$1,217.50

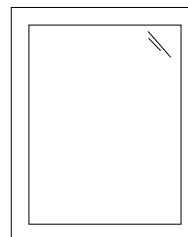
WALL SPACERS | 34.5" / 75" MIRROR | 24"W X 30"H



STANDARD FEATURES

8" D | Soft close door | *Pre-drilling available for hardware*

SIZE / SKU	PRICE
35.5"W SSS-BASE (34.5"x1/2"x3")	\$50.00
75"W SSS-TALL (75"x1/2"x3")	\$75.00



SIZE / SKU	PRICE
24"W CS-MIRROR-2430-SSW	\$247.50

VANITY TOP OFFERING | CULTURED MARBLE & PRISM QUARTZ

CONTEMPO TOP | WHITE CULTURED MARBLE

Integrated Square Bowl | Built-in Overflow | Pre-drilled for 4" faucets | 22" Deep
SIZE OPTIONS: 25" | 31" | 37" | 49" | 61" (Single Sink) | 61" (Double Sink)

SIZE / SKU	PRICE
25" MO-2522COSW	\$308.34
31" MO-3122COSW	\$326.05
37" MO-3722COSW	\$394.63
49" MO-4922COSW	\$502.77
61" MO-6122COSW (SGL Sink)	\$628.47
61" MO-6122COSW-DBL (DBL Sink)	\$680.20



PRISM QUARTZ TOP | WHITE CARRARA

Rectangular Undermount Porcelain Bowl With Eased Edge | Pre-drilled for Single Faucet | 22-1/4" Deep | 2cm Thick | Backsplash Included
SIZE OPTIONS: 25" | 31" | 37" | 43" | 49" | 61" (Single Sink) | 61" (Double Sink)

SIZE / SKU	PRICE
25" CT-Q1007-2522-RU-1	\$568.75
31" CT-Q1007-3122-RU-1	\$595.97
37" CT-Q1007-3722-RU-1	\$660.98
43" CT-Q1007-4322-RU-1	\$759.46
49" CT-Q1007-4922-RU-1	\$695.50
61" MCT-Q1007-6122-RU-1 (SGL Sink)	\$1,035.61
61" CT-Q1007-6122D12-RU1 (DBL Sink)	\$1,212.06



QUARTZ SIDE SPLASH	PRICE
21"L x 4 1/16"H x 5/8"W sold separately.	\$125.00

PRISM QUARTZ TOP | PORCELAIN WHITE

Rectangular Undermount Porcelain Bowl With Eased Edge | Pre-drilled for Single Faucet | 22-1/4" Deep | 2cm Thick | Backsplash Included
SIZE OPTIONS: 25" | 31" | 37" | 43" | 49" | 61" (Single Sink) | 61" (Double Sink)

SIZE / SKU	PRICE
25" CT-Q3007-2522-RU-1	\$568.75
31" CT-Q3007-3122-RU-1	\$595.97
37" CT-Q3007-3722-RU-1	\$660.98
43" CT-Q3007-4322-RU-1	\$759.46
49" CT-Q3007-4922-RU-1	\$695.50
61" MCT-Q3007-6122-RU-1 (SGL Sink)	\$1,035.61
61" CT-Q3007-6122D12-RU1 (DBL Sink)	\$1,212.06



QUARTZ SIDE SPLASH	PRICE
21"L x 4 1/16"H x 5/8"W sold separately.	\$125.00



SELECT

series

LAUNDRY SPEC & PRICING

**PRICING SHOWN IN LIST. MX.48
NO DOOR MULTIPLIER REQUIRED WHEN ORDERING.**

LAUNDRY TUB | Construction Overview

SELECT Series Laundry Tub combos are built with 2 full height, soft-close doors drilled for knob hardware (Brushed Nickel knobs), paired with an upgraded Durastone fiberglass top. See below for full details and options.



Combo dimensions: 25" W x 22" D x 35" H



LAUNDRY | 25"W x 22"D x 35"H Standard Features

- Shaker White (SSW / SSS) Door.
- 2 full height soft close doors.
- White interior with colour matched sides.
- 2 Brushed nickel knobs (Pre-drilled).
- Durastone® 64 litre fiberglass top with recessed shelf.
- Packaged separately.



DURASTONE | Durastone™ fiberglass Utility sink that's made of premium compressed molded fiberglass blended with special resins for extra strength and durability. This creates a semi-gloss, scratch & stain-resistant surface.

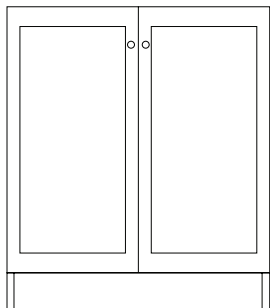
- A** 17 gallon capacity, deep 13-3/4"D bowl
- B** Faucet hole indicators to accommodate single or dual-handle faucet with 4" or 8" center
- C** Includes 1-1/2" drain assembly with stopper that connects to standard 1-1/2" P or S trap.

Multi-Task sinks meet or exceed performance requirements as listed:

- International Association of Plumbing and Mechanical Officials (IAPMO)® Listed
- Warnock Hersey® (Canada) Listed—CSA #B45.0 and #B45.5
- American National Standards Institute (ANSI)—Specification Z 124-2011

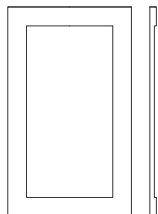
SELECT LAUNDRY TUB | CABINET COMBO

25"W X 35"H X 22"D | LAUNDRY TUB CABINET



STANDARD FEATURES

22" D | Full side gables | Soft close doors | Predrilled for hardware (Included)

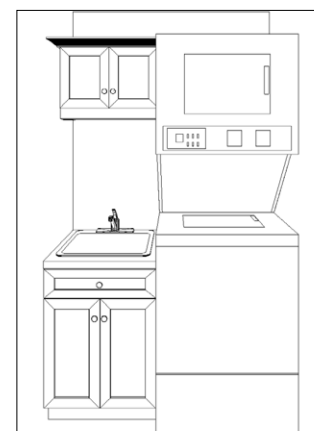


*ONLY Huntsville White (SSW) and Smooth White (SSS) are available as a Laundry Combo.

SIZE / SKU		PRICE
25"W	CS-ENS-LFH2421-SSW	\$685.42
	CS-ENS-LFH2421-SSS	\$727.09

ADDITIONAL CABINETRY OPTIONS AVAILABLE

You can create an entire Laundry room for your customers using Cabinetsmith cabinetry. Base, wall and tall cabinets are available as add-on options and upgrades to complete your living space.



CABINETSMITH SERIES COMPARISON REFERENCE CHART

		SELECT SERIES	IMPRESSION PURE WHITE	IMPRESSION CLASSIC MAPLE
KITCHENS	DOOR MATERIAL	Thermofoil & Melamine 1-piece doors	EcoStyle 5-pc doors	EcoStyle 5-pc doors
	INTERIOR	White	White	Maple
	EXTERIOR	White	White	Melamine Colour matched to door
	VERTICAL EDGETAPE	White	Colour matched to door *See chart on pg. 4	Colour matched to door
	HORIZONTAL EDGETAPE	White	White	Maple
	OVERLAYS REQUIRED?	Yes	Yes	No
	WALL CABINET HEIGHTS	30"H / 40"H *36"H in SSW / SSD / SSL / SSS / SSH / SMB / SMI / SMH / SMW Only	30"H / 36"H / 40"H	30"H / 36"H / 40"H
	TOP DRAWER HEIGHT	5"H	6-3/16"H	6-3/16"H
	SOFT CLOSE HINGES	INCLUDED as standard	INCLUDED as standard	INCLUDED as standard
	MATCHING INTERIOR WALL CABINETS (Prepped for Glass)	Available as upcharge	Available as upcharge	Available as upcharge
	INTERO DRAWERS (Full extension soft close)	Available as upcharge	Available as upcharge	Available as upcharge
	DOVETAIL DRAWERS	N/A	Available as upcharge	Available as upcharge
DRAWER BANKS	Standard Select drawer options	Standard drawer options with 2-Drawer & 4-Drawer	Standard drawer options with 2-Drawer & 4-Drawer	

VANITIES	DOOR MATERIAL	Thermofoil & Melamine 1-piece doors	EcoStyle 5-pc doors	EcoStyle 5-pc doors
	INTERIOR	Gable Colour matched to door, white bottoms/ backs/rest of interior	Gable Colour matched to door, white bottoms/ backs/rest of interior	Gable Colour matched to door, White rest of interior for WH & AW, Maple interior for rest of doors
	EXTERIOR	Colour matched to door	Colour matched to door	Colour matched to door
	VERTICAL EDGETAPE	Colour matched to door	Colour matched to door	Colour matched to door
	HORIZONTAL EDGETAPE	White	White	White rest of interior for WH & AW, Maple interior for rest of doors
	OVERLAYS REQUIRED?	No	No	No
	GABLE STYLE	Notched	Notched	Full Gable. Non-notched
	TOP DRAWER HEIGHT	5"H	6-3/16"H	6-3/16"H
	SOFT CLOSE	INCLUDED as standard	INCLUDED as standard	INCLUDED as standard
	HARDWARE	Hardware not included	Hardware not included	Included as Standard
	INTERO DRAWERS (Full extension soft close)	N/A	N/A	Available as upcharge
	DOVETAIL DRAWERS	N/A	N/A	Available as upcharge

FOR CURRENT LEAD TIME, GO TO WWW.CABINETSMITH.CA/LEAD-TIMES-FOR-NEW-ORDERS

Cabinetsmith 
style • quality • affordability

SELECT series

HARDWARE SPEC & PRICING

PRICING SHOWN IN LIST. MX.48

CABINETSMITH HARDWARE | KNOBS

CANTERBURY KNOB |



SKU	KH-40044-BN	KH-40044-BR	KH-40044-MBK	KH-40044-ORB
FINISH	Brushed Nickel	Brushed Brass	Matte Black	Oil Rubbed Bronze
Dimensions	N/A			
Base Dimensions	N/A			
LIST PRICE	\$6.00			

FLAT HEAD KNOB |



SKU	KH-40658-BN	KH-40658-BR	KH-40658-MBK	KH-40658-ORB
FINISH	Brushed Nickel	Brushed Brass	Matte Black	Oil Rubbed Bronze
Dimensions	33mm (L), 33mm (W), 28mm (H)			
Base Dimensions	18mm x 18mm			
LIST PRICE	\$9.00			

CIRCLE DECORATIVE KNOB |



SKU	KH-40778-BN	KH-40778-BR	KH-40778-MBK	KH-40778-ORB
FINISH	Brushed Nickel	Brushed Brass	Matte Black	Oil Rubbed Bronze
Dimensions	30mm (L), 30mm (W), 24mm (H)			
Base Dimensions	17mm			
LIST PRICE	\$9.00			

GLASS KNOB |



SKU	KH-GLASSKNOB-BN	KH-GLASSKNOB-BR	KH-GLASSKNOB-MBK	KH-GLASSKNOB-ORB
FINISH	Brushed Nickel	Brushed Brass	Matte Black	Oil Rubbed Bronze
Dimensions	6mm (Screw Stem), 37mm (DIA)			
Base Dimensions	23mm			
LIST PRICE	\$15.00			

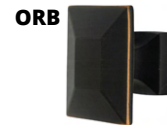
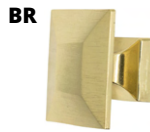
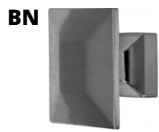
CABINETSMITH HARDWARE | KNOBS

ZINC KNOB |



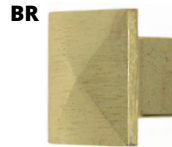
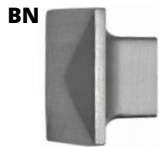
SKU	KH-40745- BN	KH-40745- BR	KH-40745- MBK	KH-40745- ORB
FINISH	Brushed Nickel	Brushed Brass	Matte Black	Oil Rubbed Bronze
Dimensions	30mm (L), 30mm (W), 25mm (H)			
Base Dimensions	20mm x 20mm			
LIST PRICE	\$9.00			

RECTANGLE KNOB |



SKU	KH-40783- BN	KH-40783- BR	KH-40783- MBK	KH-40783- ORB
FINISH	Brushed Nickel	Brushed Brass	Matte Black	Oil Rubbed Bronze
Dimensions	34mm (L), 34mm (W), 24mm (H)			
Base Dimensions	19mm x 19mm			
LIST PRICE	\$15.00			

SQUARE KNOB |



SKU	KH-40200- BN	KH-40200- BR	KH-40200- MBK	KH-40200- ORB
FINISH	Brushed Nickel	Brushed Brass	Matte Black	Oil Rubbed Bronze
Dimensions	30mm (L), 30mm (W), 20mm (H)			
Base Dimensions	18mm x 18mm			
LIST PRICE	\$9.00			

ANTIQUE ENGLISH KNOB |



SKU	KH-40777- BN	KH-40777- BR	KH-40777- MBK	KH-40777- ORB
FINISH	Brushed Nickel	Brushed Brass	Matte Black	Oil Rubbed Bronze
Dimensions	67mm (L), 19mm (W), 22mm (H)			
Base Dimensions	32mm x 8mm			
LIST PRICE	\$9.00			

CABINETSMITH HARDWARE | PULLS

76 BAR HANDLE |



SKU	KH-50037-12076-BN	KH-50037-12076-BR	KH-50037-12076-MBK	KH-50037-12076-ORB
FINISH	Brushed Nickel	Brushed Brass	Matte Black	Oil Rubbed Bronze
Dimensions	76mm (CC), 116mm (Overall), 32mm (H), 12mm (DIA)			
LIST PRICE	\$9.00			

96 BAR HANDLE |



SKU	KH-50037-12096-BN	KH-50037-12096-BR	KH-50037-12096-MBK	KH-50037-12096-ORB
FINISH	Brushed Nickel	Brushed Brass	Matte Black	Oil Rubbed Bronze
Dimensions	96mm (CC), 136mm (Overall), 32mm (H), 12mm (DIA)			
LIST PRICE	\$9.00			

128 BAR HANDLE |



SKU	KH-50037-12128-BN	KH-50037-12128-BR	KH-50037-12128-MBK	KH-50037-12128-ORB
FINISH	Brushed Nickel	Brushed Brass	Matte Black	Oil Rubbed Bronze
Dimensions	128mm (CC), 168mm (Overall), 32mm (H), 12mm (DIA)			
LIST PRICE	\$9.00			

160 BAR HANDLE |



SKU	KH-50037-12160-BN	KH-50037-12160-BR	KH-50037-12160-MBK	KH-50037-12160-ORB
FINISH	Brushed Nickel	Brushed Brass	Matte Black	Oil Rubbed Bronze
Dimensions	160mm (CC), 200mm (Overall), 32mm (H), 12mm (DIA)			
LIST PRICE	\$9.00			

CABINETSMITH HARDWARE | PULLS

T BAR PULL |



SKU	KH-50937-40X32-BN	KH-50937-40X32-BR	KH-50937-40X32-MBK	KH-50937-40X32-ORB
FINISH	Brushed Nickel	Brushed Brass	Matte Black	Oil Rubbed Bronze
Dimensions	40mm (L), 32mm (H), 12mm (DIA)			
LIST PRICE	\$9.00			

128 D HANDLE |



SKU	KH-45248-128-BN	KH-45248-128-BR	KH-45248-128-MBK	KH-45248-128-ORB
FINISH	Brushed Nickel	Brushed Brass	Matte Black	Oil Rubbed Bronze
Dimensions	128mm (CC), 137mm (L), 28mm (H), 9mm (W)			
LIST PRICE	\$15.00			

160 D HANDLE |



SKU	KH-45248-160-BN	KH-45248-160-BR	KH-45248-160-MBK	KH-45248-160-ORB
FINISH	Brushed Nickel	Brushed Brass	Matte Black	Oil Rubbed Bronze
Dimensions	160mm (CC), 168mm (L), 28mm (H), 9mm (W)			
LIST PRICE	\$15.00			

LARGE D HANDLE |



SKU	KH-45344-160-BN	KH-45344-160-BR	KH-45344-160-MBK	KH-45344-160-ORB
FINISH	Brushed Nickel	Brushed Brass	Matte Black	Oil Rubbed Bronze
Dimensions	160mm (CC), 168mm (L), 31mm (H), 21mm (W)			
LIST PRICE	\$15.00			

TERMS

Cabinetsmith's terms are NET 30 DAYS to accounts with approved credit. All new accounts are COD for first 30 days. Application for credit must include bank and trade references.
A 1.5% monthly finance charge will be calculated on ALL OVERDUE ACCOUNTS.

RETURNS AND CREDIT

There will be no restocking charge for damaged goods, shipping errors, order desk errors or manufacturer defects. We will issue credit notes upon receipt and verification of goods. Call our order desk for a Return Authorization and we will arrange to pick it up, no charge. NOTE: Pictures may be required in the event of defects/damages before a claim can be authorized.

STOCK

Returns for any other reason for stock items must be in original condition and packaging. A Minimum 20% restocking fee will be applied (minimum charge \$5). This fee is to cover initial order processing, freight out, invoicing, return processing, freight back, handling, and credit issuing. For areas not serviced by CanSave's fleet, dealer is responsible for return freight. Please call the Order Desk or your Sales Representative to discuss your request.

SPECIAL ORDERS

All kitchen cabinets & vanities are considered special order, as they are "made to order". Please be sure to OBTAIN A DEPOSIT from YOUR customer before placing a special order! Special orders can NOT be returned or cancelled once the manufacturer has processed them! Your purchase order will be considered a binding contract. LEAD TIMES quoted for special orders are approximate. Special orders can NOT be cancelled in the event of an extended lead time. Please be certain that your customers understand this before you place a special order. RETURN AUTHORIZATIONS are valid for 30 days from date of issue. Product not returned within 30 days is dealer's responsibility.
OUR DRIVERS ARE UNABLE TO ACCEPT ANY RETURN WITHOUT PROPER PAPERWORK. CanSave is not responsible for any product that comes back without proper authorization.

CLAIMS

DAMAGE CLAIMS, or claims for MISSING PRODUCT must be made within 48 hours of delivery. Pictures may be required in the event of defects/damages before a claim can be authorized. CONCEALED DAMAGE must be reported within 7 days, and product MUST be returned in original undamaged packaging. Claims for credits due to PRICING ERRORS must be made within 60 days of invoicing.

WARRANTIES

We will replace any goods and take care of warranty claims for you, as long as it falls within the manufacturer's warranty guidelines. The manufacturers' word is final, and Cabinetsmith does not offer extended or additional warranty coverage. Cabinetsmith does not cover labour charges.

*For complete warranty details, please refer to
<https://cabinetsmith.ca/wp-content/uploads/2016/10/Cabinetsmith-Warranty-Eng.pdf>*

All Warranties are to be submitted online under dealer portal @ www.cabinetsmith.ca/warranty-requests

CABINETSMITH® 10 YEAR WORKMANSHIP AND WARRANTY

Cabinetsmith® Cabinetry warrants to the original consumer purchaser that our Kitchen and Vanity cabinetry will be free from defects in material and workmanship under normal use for a period of ten (10) years from date of purchase. Cabinetsmith® may elect to replace any defective Cabinetsmith® product covered by our Warranty.

If Cabinetsmith® is liable under the warranty claim, they will arrange replacement of the part required due to defective workmanship. Cabinetsmith will not be responsible for any service/installation charges related to replacement parts.

If a warranted product is no longer available, the manufacturer, at its absolute discretion, may replace the warranted product with substituted item which would be as close as possible in dimension / function and colour. The manufacturer however, cannot guarantee that the replacement item will be exactly the same in all aspects when compared with the original item. Should the material no longer be available to Cabinetsmith by our suppliers, Cabinetsmith will only credit the cost of the item being claimed under warranty.

EXCLUSIONS

This warranty does not apply in relation to any damage to the warranted products caused by the following:

- Improper installation of the cabinets and related accessories
- Wear and tear suffered through normal use (including scratches and cuts) or damage caused by impacts or accidents;
- Use of inappropriate chemicals;
- Damages caused by wet articles such as dishes or clothes placed in your cabinets or on countertop joints;
- Damages caused by attaching or installing fixture/units inside or outside of your cabinet doors exceeding 3 lbs.;
- Damages caused by overloading your drawers or placing articles above the level of your drawer;
- Damages caused by placing any unnecessary pressure on your cabinet doors by tugging / pulling open / standing on open drawers;
- Damages caused by extreme temperatures changes and/or extreme humidity changes. Cabinets are to be installed inside a house/dwelling that is heated/cooled within normal ranges.
- Insufficient or improper care (including inappropriate use of cleaning products);
- Cabinet dimensions are subject to a +/- 2mm tolerance per cabinet
- Fading, discolouration or damage caused by exposure to intensive or excessive light including ultra violet light, moisture or heat (be careful with kettles, toasters and ranges which should be equipped with a range hood);
- Alterations, modifications or use of the Warranted Products which is beyond or inconsistent with the supplied product instructions and which has not been authorized by Cabinetsmith®;
- Thermofoil delamination due to over exposure to heat or water; OR
- The natural aging or darkening of wood color, the inherent growth characteristics of, or variation in wood. (We believe this is the beauty of nature and not a defect. Every attempt has been made to ensure that the colours of the door finishes in the Cabinetsmith® website are as close to the actual finishes as possible. However, please note that due to the limitations of the computer screen, these colours are meant as representations only and that actual finishes may vary from what is on the screen).



Specification Guide & Price List

Pub. AUG.2024
Prices subject to change