

# IMPRESSION series

20 Premium Doors - WHITE & MAPLE INTERIORS

Cabinetsmith   
style • quality • affordability

## Specification Guide & Price List

Pub. NOV.2024

Prices subject to change



### DEALER PORTAL | [www.cabinetsmith.ca/dealer-portal](http://www.cabinetsmith.ca/dealer-portal)

New to Cabinetsmith Dealer Portal? Sign up for free by clicking [HERE](#).  
Dealers can find all necessary information on Cabinetsmith Series and Product offerings, Pricing Updates, Warranty Information, Lead Times, Online Ordering and Marketing Tools for your use.

### TABLE OF CONTENTS | Cabinetry, Accessories, Vanity Options

IMPRESSION KITCHENS	PAGE
DOOR STYLES & MULTIPLIERS	3
IMPRESSION PURE WHITE CABINET SPECS	4
IMPRESSION CLASSIC MAPLE CABINET SPECS	5
BASE CABINETS	6-10
WALL CABINETS	11-15
TALL CABINETS	16-19
ROLLOUT REFERENCE GUIDE / WEIGHT LIMITS	20-21
ACCESSORIES - MOULDINGS	22-23
ACCESSORIES - PANELS AND STRIPS	24-25
ACCESSORIES - STORAGE SOLUTIONS	26-28

IMPRESSION VANITIES	PAGE
IMPRESSION PURE VANITY OVERVIEW	30-31
PURE VANITY EASY ORDER 34.5"H COMBOS	32-34
PURE VANITY 34.5"H MODULAR VANITIES	35
PURE VANITY EASY ORDER 30.5"H COMBOS	36
PURE VANITY 30.5"H MODULAR VANITIES	37
IMPRESSION CLASSIC MAPLE VANITY OVERVIEW	38-39
MAPLE VANITY EASY ORDER 34.5"H COMBOS	40-43
VANITY TOPS	44

LAUNDRY COMBOS	PAGE
LAUNDRY TUB OVERVIEW & PRICING	45-47

COMPARISON CHART	PAGE
CABINETSMITH SERIES COMPARISON CHART	48

CABINETRY HARDWARE	PAGE
KNOBS	50-51
PULLS	52-53

TERMS AND CONDITIONS	PAGE
CABINETSMITH TERMS & CONDITIONS	54
CABINETSMITH WARRANTY	55

### CANADIAN PARTNERSHIPS |

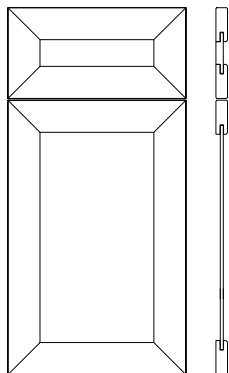




- 99% post industrial recyclable material
- High heat, scratch & stain resistant
- Permanent antibacterial surface

### SHAKER

SMOOTH, PAINT LIKE FINISHES



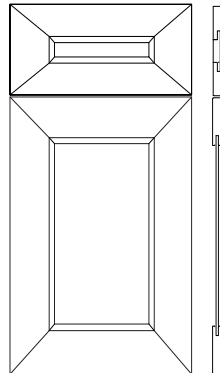
**Specifications**

- Construction – Mitre, mortise & tenon
- Rail & Stile – 2¼" wide
- Door Panel – ¼" thick
- Drawer front – 5 piece mitre
- Drawer Panel – ¼" thick
- Door Vertical grain centre panel
- Drawer Horizontal grain centre panel

		PURE WHITE	CLASSIC MAPLE
White	NSW	2.10	2.25
Antique White	NSA		
Java	NSJ		
Zambukka	NSZ		
Fossil	NSF		
Ashen	NSQ		
Marine Blue	NSE		
Beach Glass	NSG		
Black	NSK	N/A	

### TRANSITIONAL

SMOOTH, PAINT LIKE FINISHES



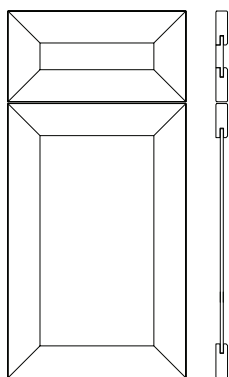
**Specifications**

- Construction – Mitre, mortise & tenon
- Rail & Stile – 2½" wide
- Door panel – ¼" thick
- Drawer Front – 5 piece mitre
- Drawer Panel – ¼" thick
- Door Vertical grain centre panel
- Drawer Horizontal grain centre panel

		PURE WHITE	CLASSIC MAPLE
White	NTW	2.10	2.25
Antique White	NTA		
Java	NTJ		
Zambukka	NTZ		
Fossil	NTF		
Ashen	NTQ		
Marine Blue	NTE		
Beach Glass	NTG		
Black	NTK	N/A	

### SHAKER WOODGRAINS

TRUE WOOD TEXTURES & GRAINS



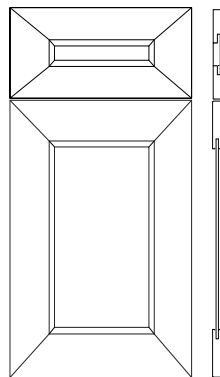
**Specifications**

- Construction –Mitre, mortise & tenon
- Rail & Stile –2¼" wide
- Door panel –¼" thick
- Drawer Front –5 piece mitre
- Drawer Panel –¼" thick
- Vertical grain centre panel
- Door Vertical grain centre panel
- Drawer Horizontal grain centre panel

		PURE WHITE	CLASSIC MAPLE
Whistler	ISW	2.10	2.25
Jasper	ISJ		
Banff	ISB		
Canmore	ISC		

### TRANSITIONAL WOODGRAINS

TRUE WOOD TEXTURES & GRAINS



**Specifications**

- Construction – Mitre, mortise & tenon
- Rail & Stile – 2½" wide
- Door panel – ¼" thick
- Drawer Front – 5 piece mitre
- Drawer Panel – ¼" thick
- Door Vertical grain centre panel
- Drawer Horizontal grain centre panel

		PURE WHITE	CLASSIC MAPLE
Whistler	ITW	2.10	2.25
Jasper	ITJ		
Banff	ITB		
Canmore	ITC		

**Maintenance:** The surface of ECOSTYLE may be cleaned with a damp cloth, ordinary soap and water, or, if considered necessary, with a general-purpose household cleaner. Using a diluted vinegar solution for general purpose cleaning is suitable. Thoroughly dry the surface with a soft, cotton cloth. More stubborn dirt and greasy fingerprints may be removed with solvents such as Acetone (nail polish remover), methyl ethyl ketone (MEK) (use adequate ventilation, beware of open flame). Acidic, alkaline or abrasive cleaners should not be used because it can damage laminate surfaces. Please note - Do not use lemon juice because it is acidic.

# IMPRESSION series

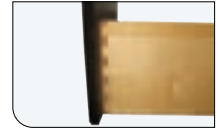
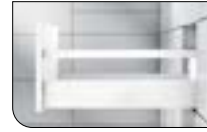


## IMPRESSION PURE WHITE | Standard Features

INTERIOR COLOUR <i>*Top/Bottom/Rails &amp; Drawers</i>	WHITE
EXTERIOR SIDE COLOUR	White
INTERIOR COLOUR <i>*Cabinet Sides</i>	White
VERTICAL EDGE TAPING <i>*Exterior Side</i>	Colour Matched To Door
HORIZONTAL EDGE TAPING	White
SOFT CLOSE HINGES	✓
SOFT CLOSE METABOX DRAWERS	✓

### UPGRADE TO:

Intero Drawer (full extension, soft close)  
Dovetail Drawer (full extension, soft close)

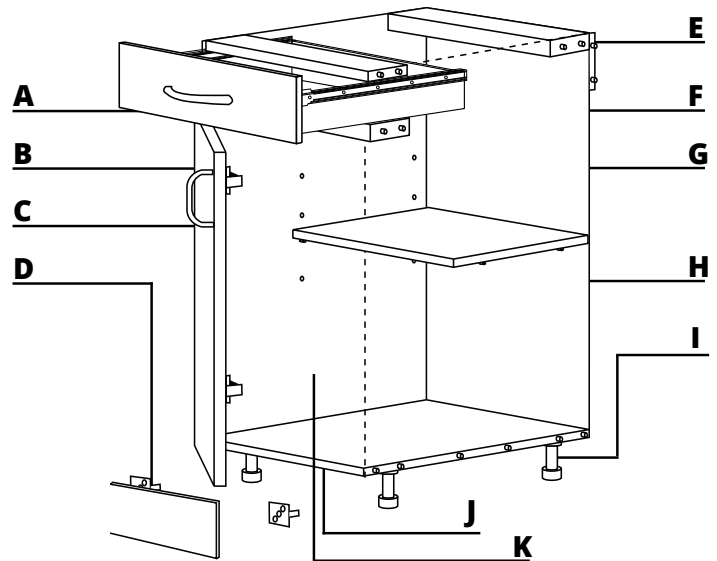


COLOUR	Edgetape (Vertical)
White (NSW / NTW)	WHITE
Antique White (NSA / NTA)	
Whistler (ISW / ITW)	
Java (NSJ / NTJ)	
Zambukka (NSZ / NTZ)	ZAMBUKKA
Fossil (NSF / NTF)	FOSSIL
Ashen (NSQ / NTQ)	ASHEN
Jasper (ISJ / ITJ)	JASPER
Banff (ISB / ITB)	BANFF
Canmore (ISC / ITC)	CANMORE
Marine Blue (NSE/NTE)	MARINE BLUE
Beach Glass (NSG/NTG)	BEACH GLASS
Black (NSK/NTK)	BLACK

## QUALITY CABINETRY | Construction

\*TOP DRAWER/FALSE FRONT IS 6-3/16" H.

- A** Soft Close Metabox (Epoxy Coated Steel Drawer Sides)
- B** 100% Melamine Interiors
- C** Soft Close Hinges
- D** 1/2" Clip-on Melamine Toekick
- E** 1 1/8" Support Rails (Excluding Drawer Banks)
- F** 1/8" Backing on all Cabinets
- G** 10 9/16" Deep Adjustable Cabinet Shelves 5/8" with locking clips
- H** Dowel and Glue Cabinet Construction
- I** Base Cabinets on Adjustable Leg \*Min: 3 3/16" Max: 5 1/4"
- J** Maple horizontal edge to match with interior of cab
- K** Gable Height is 30 1/4" H



NOTE: Cabinetsmith dimensions are subject to a +/- 2mm tolerance.

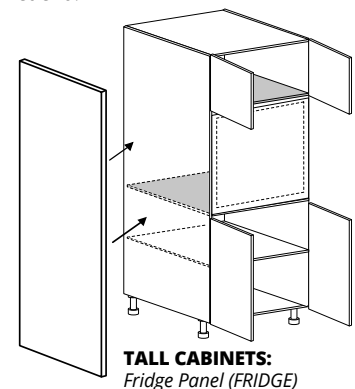
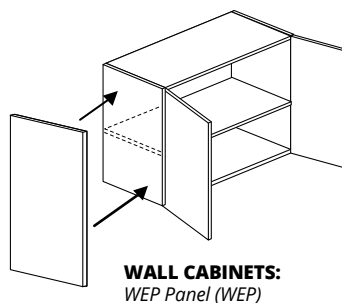
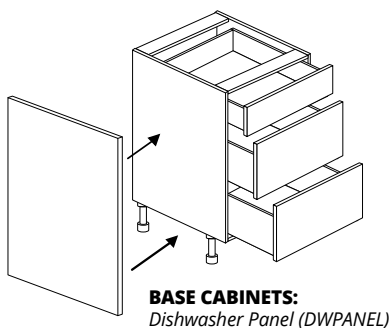
Exposed base end cabinets will require repositioning of legs to accommodate toe-kick return or purchase of base end panel.

## OVERLAY PANELS | Reference Guide

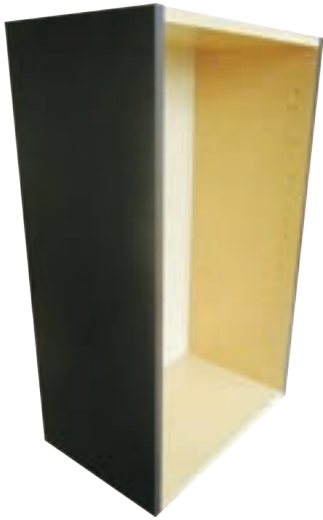
Overlay panels may be required for a finished look to your kitchen if customers would like a colour match to their cabinet end.

Below is a quick visual reference for which accessory panels **are required** for each cabinet category.

(Note: **NOT** required on White Door orders as Cabinet end panels will match white.)



# IMPRESSION series

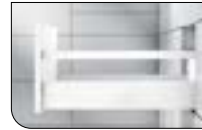


## IMPRESSION CLASSIC MAPLE | Standard Features

INTERIOR COLOUR	MAPLE
EXTERIOR SIDE COLOUR	colour matched to door
VERTICAL EDGE TAPING	colour matched to door
HORIZONTAL EDGE TAPING	Maple
SOFT CLOSE HINGES	✓
SOFT CLOSE METABOX DRAWERS	✓

### UPGRADE TO:

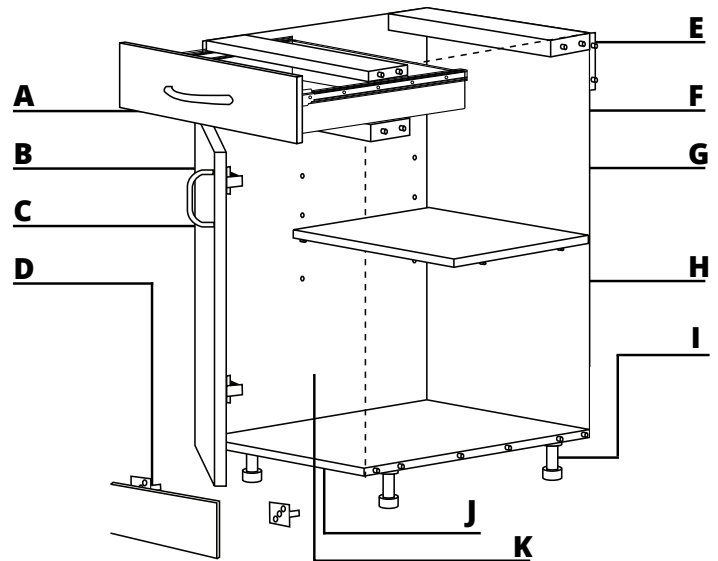
Interio Drawer (full extension, soft close)  
Dovetail Drawer (full extension, soft close)



## QUALITY CABINETRY | Construction

\*TOP DRAWER/FALSE FRONT IS 6-3/16" H.

- A** Soft Close Metabox (Epoxy Coated Steel Drawer Sides)
- B** 100% Melamine Interiors
- C** Soft Close Hinges
- D** 1/2" Clip-on Melamine Toekick
- E** 1 1/8" Support Rails (Excluding Drawer Banks)
- F** 1/8" Backing on all Cabinets
- G** 10 9/16" Deep Adjustable Cabinet Shelves 5/8" with locking clips
- H** Dowel and Glue Cabinet Construction
- I** Base Cabinets on Adjustable Leg \*Min: 3 3/16" Max: 5 1/4"
- J** Maple horizontal edge to match with interior of cab
- K** Gable Height is 30 1/4" H



NOTE: Cabinetsmith dimensions are subject to a +/- 2mm tolerance.

Exposed base end cabinets will require repositioning of legs to accommodate toe-kick return or purchase of base end panel.

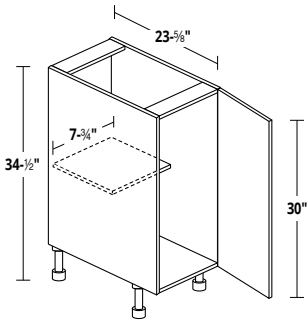
## OVERLAY PANELS

Accessory (overlay) panels are **not required** on Impression Classic due to the colour matched exterior.  
All Impression Classic Series can still be designed with Overlays for the stylistic choice.

**\*Contact us for delivery times on multi-unit orders.**

# BASE CABINETS

## 24" DEEP SINGLE FULL HEIGHT DOOR BASE



SIZE / SKU	PRICE
9"W BH09 (L/R)	\$161
12"W BH12 (L/R)	\$178
13.5"W BH13.5 (L/R)	\$187
15"W BH15 (L/R)	\$187
16.5"W BH16.5 (L/R)	\$204
18"W BH18 (L/R)	\$204
21"W BH21 (L/R)	\$221

### STANDARD FEATURES

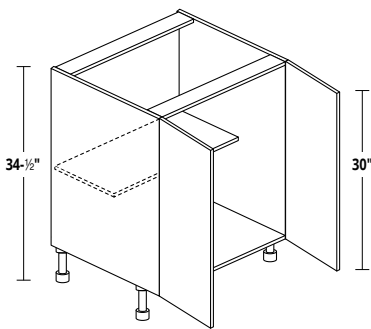
Half-depth adjustable shelf (x1).  
Minimum Cabinet size for Rollouts is 13.5" W.  
Rollout locations are predetermined.

### UPGRADES PRICE

Metabox Rollout (x2) \$202

See additional accessories available on page 26-28.

## 24" DEEP DOUBLE FULL HEIGHT DOOR BASE



SIZE / SKU	PRICE
24"W BH24	\$255
27"W BH27	\$272
30"W BH30	\$289
33"W BH33	\$306
36"W BH36	\$323

### STANDARD FEATURES

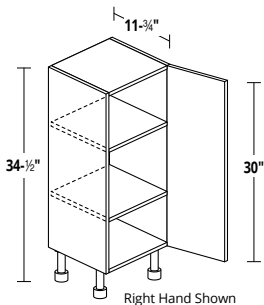
Half-depth adjustable shelf (x1).  
Rollout locations are predetermined.

### UPGRADES PRICE

Metabox Rollout (x2) \$264

See additional accessories available on page 26-28.

## 12" DEEP SINGLE FULL HEIGHT DOOR BASE

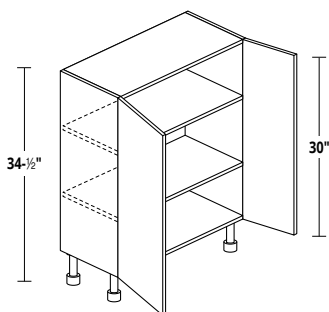


SIZE / SKU	PRICE
9"W BFH0912 (L/R)	\$161
12"W BFH1212 (L/R)	\$170
13.5"W BFH13.512 (L/R)	\$178
15"W BFH1512 (L/R)	\$178
16.5"W BFH16.512 (L/R)	\$187
18"W BFH1812 (L/R)	\$187
21"W BFH2112 (L/R)	\$195

### STANDARD FEATURES

Adjustable shelf (x2).

## 12" DEEP DOUBLE FULL HEIGHT DOOR BASE



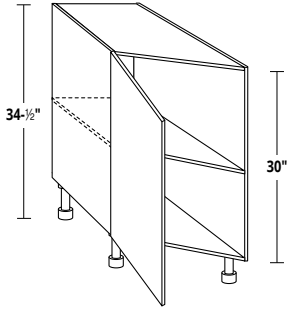
SIZE / SKU	PRICE
24"W BFH2412	\$246
27"W BFH2712	\$255
30"W BFH3012	\$263
33"W BFH3312	\$272
36"W BFH3612	\$280

### STANDARD FEATURES

Adjustable shelf (x2).

# BASE CABINETS

## TRANSITIONAL END BASE

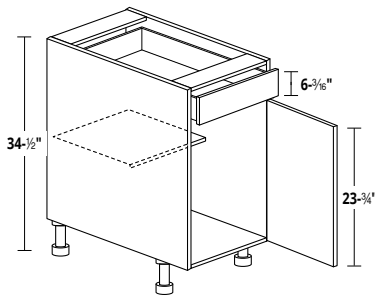


SIZE / SKU	PRICE
12"W BTE12 (L/R)	\$323

### STANDARD FEATURES

Adjustable shelf (x1).  
If using this cabinet in your design *do not* measure for counter top until base cabinets are installed.

## 24" DEEP SINGLE DRAWER/DOOR BASE



SIZE / SKU	PRICE
12"W BD12 (L/R)	\$221
13.5"W BD13.5 (L/R)	\$238
15"W BD15 (L/R)	\$238
16.5"W BD16.5 (L/R)	\$255
18"W BD18 (L/R)	\$255
21"W BD21 (L/R)	\$272

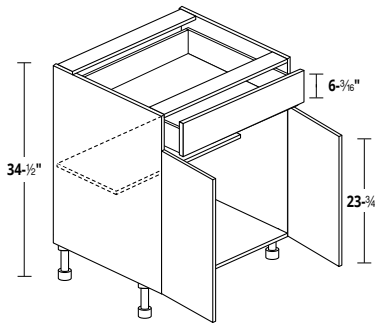
### STANDARD FEATURES

Half-depth adjustable shelf (x1).  
Metabox drawer box system.  
Minimum Cabinet size for Rollouts is 13.5"W.

### UPGRADES

UPGRADES	PRICE
Metabox Rollout (x2)	\$202
Dovetail Drawer	\$155
Intero Drawer	\$93

## 24" DEEP DOUBLE DRAWER/DOOR BASE



SIZE / SKU	PRICE
24"W BD24	\$306
27"W BD27	\$323
30"W BD30	\$340
33"W BD33	\$357
36"W BD36	\$374

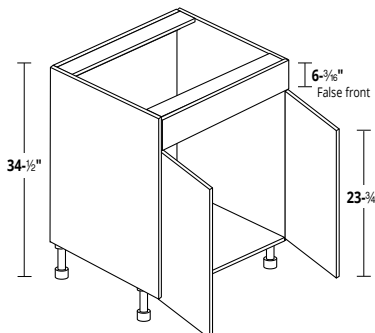
### STANDARD FEATURES

Half-depth adjustable shelf (x1).  
Metabox drawer box system.  
Minimum Cabinet size for Rollouts is 13.5"W.

### UPGRADES

UPGRADES	PRICE
Metabox Rollout (x2)	\$264
Dovetail Drawer	\$155
Intero Drawer	\$93

## 24" DEEP SINK BASE



SIZE / SKU	PRICE
24"W SB24	\$263
27" W SB27	\$280
30" W SB30	\$289
33" W SB33	\$306
36" W SB36	\$323

### STANDARD FEATURES

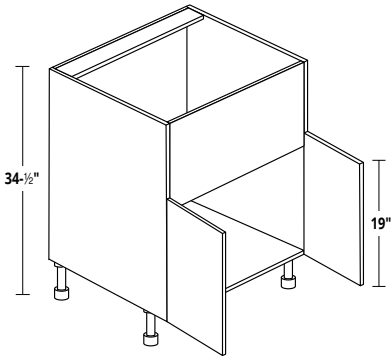
6 3/8" Height sink front.  
Back panel included.  
No shelf.

### UPGRADES

UPGRADES	PRICE
Tip Out Tray (SFT)	\$80

# BASE CABINETS

## APRON SINK BASE CABINET



SIZE / SKU	PRICE
30"W SBAP30	\$289
33"W SBAP33	\$306
36"W *SBAP36	\$323

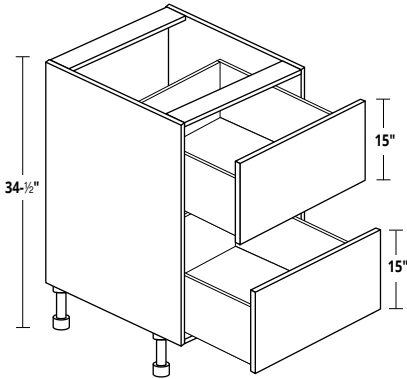
*\*SBAP36 has a potential combined weight capacity of 300lbs - this includes weight of the sink, full of water and dishes. So the weight of the sink should be no more than 200lbs. \*\*If there is concern, the installers can install an additional gable inside the cabinet in the middle, as well as reinforce under the cabinet behind the toe kick.*

### STANDARD FEATURES

Front Apron Panel 13"H but 11-3/8"H exposed.  
Back panel included.  
No shelf.

*Note: Refer to the Manufacturers specs regarding installation requirements of any appliances.*

## 24" DEEP 2 DRAWER BASE



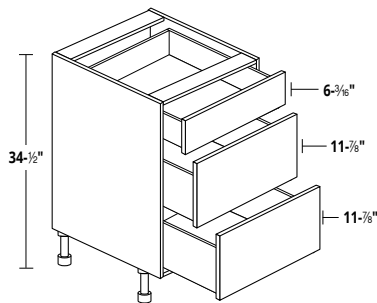
SIZE / SKU	PRICE
12"W DB12-2	\$306
15"W DB15-2	\$340
18"W DB18-2	\$357
21"W DB21-2	\$391
24"W DB24-2	\$416
27"W DB27-2	\$433
30"W DB30-2	\$442
33"W DB33-2	\$467

### STANDARD FEATURES

Metabox drawer box system.

UPGRADES	PRICE
Dovetail Drawers (x2)	\$310
Interio Drawers (x2)	\$186

## 24" DEEP 3 DRAWER BASE



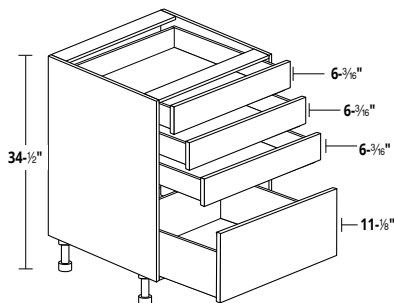
SIZE / SKU	PRICE
12"W DB12-3	\$331
15"W DB15-3	\$365
18"W DB18-3	\$382
21"W DB21-3	\$416
24"W DB24-3	\$442
27"W DB27-3	\$459
30"W DB30-3	\$467
33"W DB33-3	\$493

### STANDARD FEATURES

Metabox drawer box system.

UPGRADES	PRICE
Dovetail Drawers (x3)	\$465
Interio Drawers (x3)	\$279

## 24" DEEP 4 DRAWER BASE



SIZE / SKU	PRICE
12"W DB12-4	\$391
15"W DB15-4	\$425
18"W DB18-4	\$450

### STANDARD FEATURES

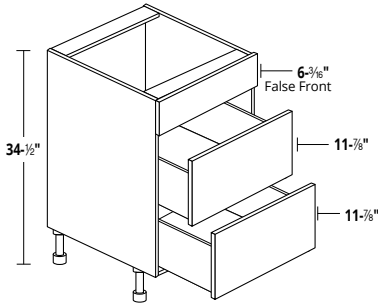
Metabox drawer box system.

UPGRADES	PRICE
Dovetail Drawers (x4)	\$620
Interio Drawers (x4)	\$372



# BASE CABINETS

## 24" DEEP COOKTOP BASE



SIZE / SKU	PRICE
30"W BC30	\$476
33"W BC33	\$501

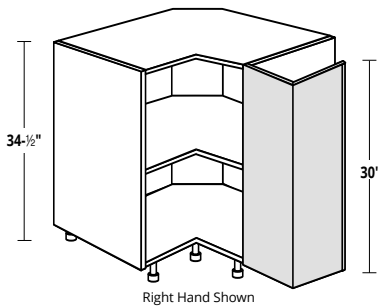
### STANDARD FEATURES

Metabox Drawer System.

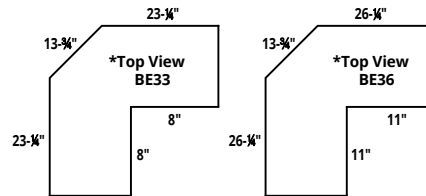
UPGRADES	PRICE
Dovetail Drawers (x2)	\$310
Interio Drawers (x2)	\$186

*Note: Refer to the Manufacturers specs regarding installation requirements of any appliances.*

## EASY REACH CORNER



SIZE / SKU	PRICE
33"W BE33 (L/R)	\$423
36"W BE36 (L/R)	\$440

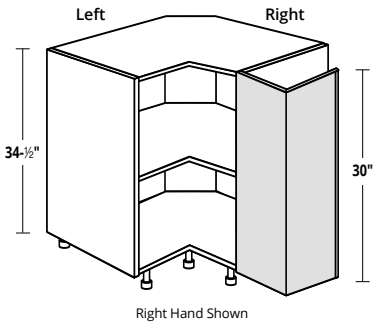


### STANDARD FEATURES

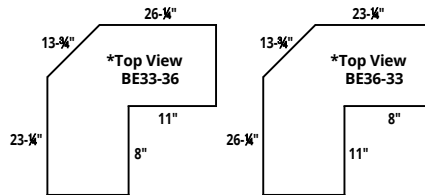
Full-depth adjustable shelf (x1).  
5/8" Back panel.  
2 bifold hinges.

UPGRADES	PRICE
Lazy Susan PVC (33")	\$189
Lazy Susan PVC (36")	\$229
Lazy Susan Wire (33")	\$445
Lazy Susan Wire (36")	\$475

## EASY REACH CORNER OFFSET (L/R)



SIZE / SKU	PRICE
(L33-R36) BE33-36 (L/R)	\$508
(L36-R33) BE36-33 (L/R)	\$508

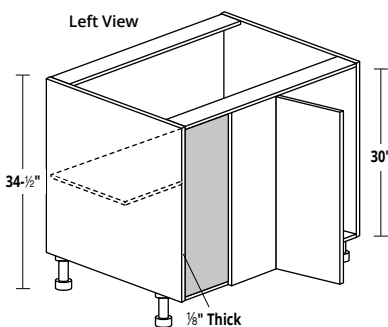


### STANDARD FEATURES

Full-depth adjustable shelf (x1).  
5/8" Back panel.  
2 bifold hinges.

UPGRADES	PRICE
Lazy Susan PVC (33")	\$189
Lazy Susan Wire (33")	\$445

## BLIND CORNER 39" - 48"

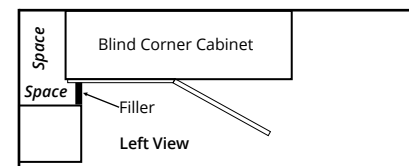


SIZE / SKU	PRICE
39"W BBH39 (3" pull) L/R	\$288
42"W BBH42 (6" pull) L/R	\$305
45"W BBH45 (9" pull) L/R	\$322
48"W BBH48 (12" pull) L/R	\$373

Cab	Wall Space to Fill	Door Size	Fill Req.	Min Pull	Max Pull
BBH39	39-42"	12"	3"	3"	5"
BBH42	42-44"	15"	3"	6"	8"
BBH45	45-47"	18"	3"	9"	11"
BBH48	48-50"	21"	3"	12"	14"

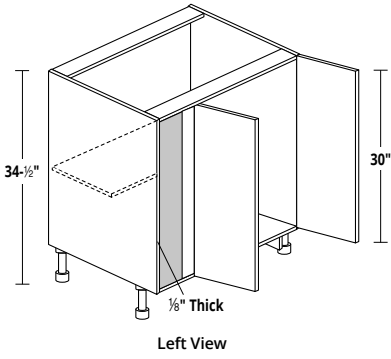
### STANDARD FEATURES

Half-depth adjustable Shelf (x1).  
36" Wide Cabinet Box.  
Back Panel.  
Filler to be ordered separately.



# BASE CABINETS

## BLIND CORNER 51" - 63"



### SIZE / SKU

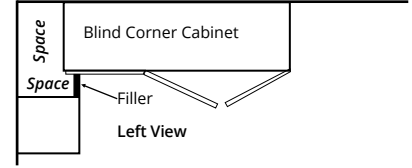
SIZE / SKU	PRICE
51"W BBH51 (2" pull) L/R	\$390
54"W BBH54 (6" pull) L/R	\$407
60"W BSB60 (12" pull) L/R	\$424
63"W BSB63 (15" pull) L/R	\$458

### PRICE

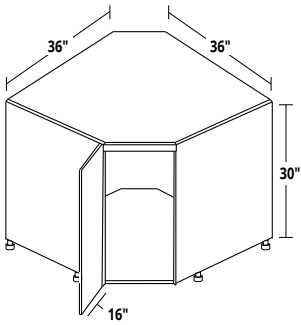
Cab	Wall Space to Fill	Door Size	Fill Req.	Min Pull	Max Pull
BBH51	51-53"	2X 12"	3"	3"	5"
BBH54	54-56"	2X 13.5"	3"	6"	8"
BSB60	60-62"	2X 16.5"	3"	12"	14"
BSB63	63-65"	2X 18"	3"	15"	17"

### STANDARD FEATURES

Half-depth adjustable shelf (x1).  
48" Wide Cabinet Box.  
Back Panel.  
Filler to be ordered separately.



## ANGLED SINK CORNER



### SIZE / SKU

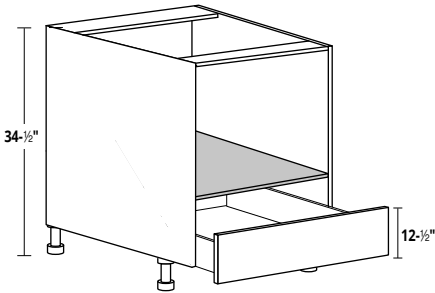
SIZE / SKU	PRICE
36"W BSA36 (L/R)	\$476

### PRICE

### STANDARD FEATURES

Solid Top and Bottom.  
Largest Sink 27"W (Sink & 1/2").  
No shelf.  
**Note:** This is an assembled unit.

## MICROWAVE BASE CABINET



### SIZE / SKU

SIZE / SKU	PRICE
24"W BMD24	\$425
30"W BMD30	\$450

### PRICE

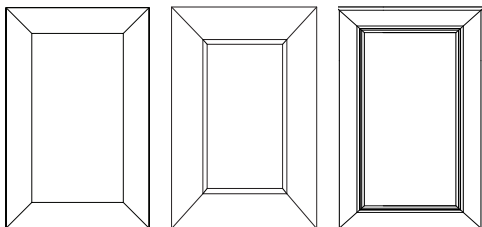
### STANDARD FEATURES

Metabox drawer box system.  
Matching Interior.

### UPGRADES

UPGRADES	PRICE
Dovetail Drawer	\$155
Intero Drawer	\$93

## OVERLAY DOORS



23 3/8" W x 30 1/8" H

### SKU

CS-IBEP2430-

### PRICE

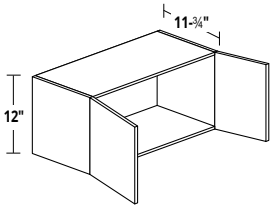
\$200

## OVERLAY FINISH CODES

	SHAKER	TRANSITIONAL
White	NSW	NTW
Antique White	NSA	NTA
Java	NSJ	NTJ
Zambukka	NSZ	NTZ
Fossil	NSF	NTF
Ashen	NSQ	NTQ
Banff	ISB	ITB
Canmore	ISC	ITC
Jasper	ISJ	ITJ
Whistler	ISW	ITW
Marine Blue	NSE	NTE
Beach Glass	NSG	NTG
Black	NSK	NTK

# WALL CABINETS

## 12" HIGH WALL

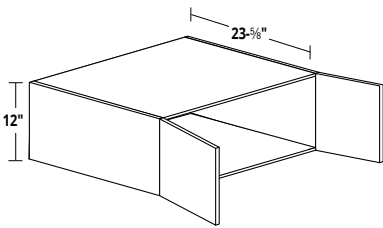


SIZE / SKU	PRICE
30"W W3012	\$178
33"W W3312	\$187
36"W W3612	\$195

### STANDARD FEATURES

Designed for use over sink, range or refrigerator.  
No shelf included.

## 12" HIGH REFRIGERATOR WALL



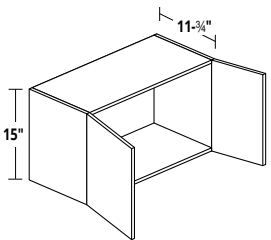
SIZE / SKU	PRICE
30"W W3012-24	\$215
33"W W3312-24	\$226
36"W W3612-24	\$236

### STANDARD FEATURES

Designed for use over sink, range or refrigerator.  
No shelf included.

**NOTE:** 24" Deep Wall Cabinets must be secured to an adjacent 24" deep Tall Cabinet (Broom, Pantry, Hutch) and an adjacent Wall Cabinet. Cabinet cannot stand alone or at the return end of a run unless supported by a refrigerator panel.

## 15" HIGH WALL

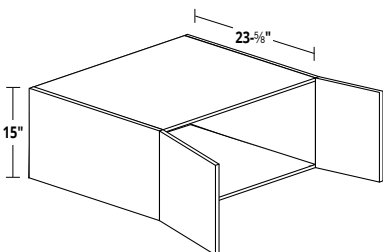


SIZE / SKU	PRICE
24"W W2415	\$170
27"W W2715	\$178
30"W W3015	\$187
33"W W3315	\$195
36"W W3615	\$204

### STANDARD FEATURES

Designed for use over sink, range, above microwave shelf or refrigerator.  
No shelf included.

## 15" HIGH REFRIGERATOR WALL



SIZE / SKU	PRICE
24"W W2415-24	\$204
27"W W2715-24	\$212
30"W W3015-24	\$221
33"W W3315-24	\$229
36"W W3615-24	\$238

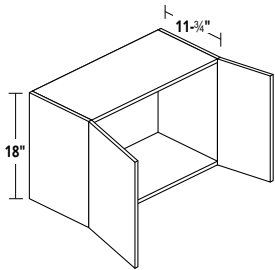
### STANDARD FEATURES

Designed for use over the refrigerator.  
No shelf included.

**NOTE:** 24" Deep Wall Cabinets must be secured to an adjacent 24" deep Tall Cabinet (Broom, Pantry, Hutch) and an adjacent Wall Cabinet. Cabinet cannot stand alone or at the return end of a run unless supported by a refrigerator panel.

# WALL CABINETS

## 18" HIGH WALL

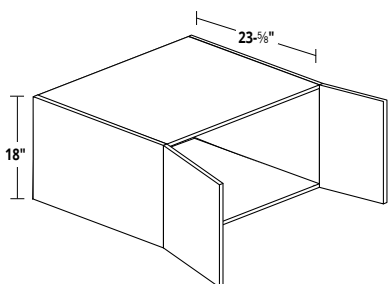


SIZE / SKU	PRICE
24"W W2418	\$187
30"W W3018	\$204
33"W W3318	\$221
36"W W3618	\$229

### STANDARD FEATURES

Designed for use over the sink, range, or the refrigerator.  
No shelf included.

## 18" HIGH REFRIGERATOR WALL



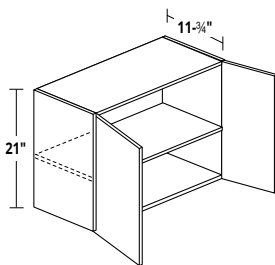
SIZE / SKU	PRICE
24"W W2418-24	\$229
30"W W3018-24	\$246
33"W W3318-24	\$263
36"W W3618-24	\$272

### STANDARD FEATURES

Designed for use over the refrigerator.  
No shelf included.

**NOTE:** 24" Deep Wall Cabinets must be secured to an adjacent 24" deep Tall Cabinet (Broom, Pantry, Hutch) and an adjacent Wall Cabinet. Cabinet cannot stand alone or at the return end of a run unless supported by a refrigerator panel.

## 21" HIGH WALL

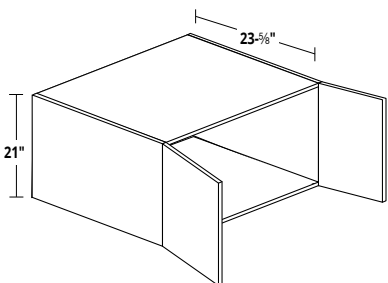


SIZE / SKU	PRICE
24"W W2421	\$207
30"W W3021	\$214
33"W W3321	\$221
36"W W3621	\$229

### STANDARD FEATURES

Designed for use over the sink, range, or the refrigerator.  
Adjustable Shelf (x1).

## 21" HIGH REFRIGERATOR WALL



SIZE / SKU	PRICE
30"W W3021-24	\$260
33"W W3321-24	\$268
36"W W3621-24	\$278

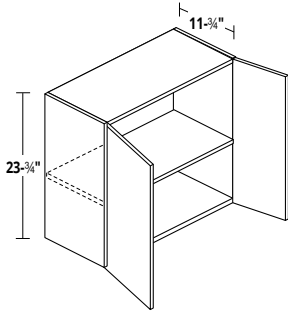
### STANDARD FEATURES

Designed for use over the refrigerator.  
No shelf included.

**NOTE:** 24" Deep Wall Cabinets must be secured to an adjacent 24" deep Tall Cabinet (Broom, Pantry, Hutch) and an adjacent Wall Cabinet. Cabinet cannot stand alone or at the return end of a run unless supported by a refrigerator panel.

# WALL CABINETS

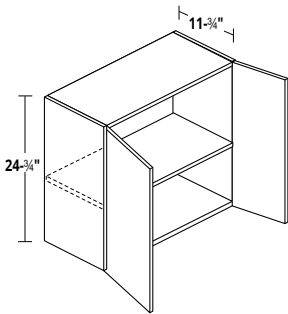
## 24" HIGH DOUBLE DOOR WALL



SIZE / SKU	PRICE
30"W W3024	\$224
33"W W3324	\$231
36"W W3624	\$239

**STANDARD FEATURES**  
Adjustable Shelf (x1).

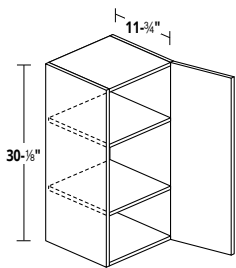
## 25" HIGH DOUBLE DOOR WALL



SIZE / SKU	PRICE
24"W W2425	\$209

**STANDARD FEATURES**  
Adjustable Shelf (x1).

## 30" HIGH SINGLE DOOR WALL



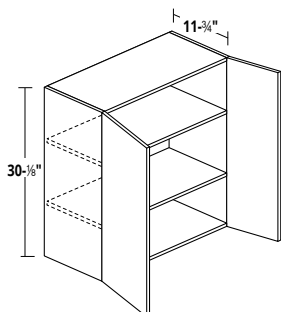
SIZE / SKU	PRICE
9"W W0930 (L/R)	\$144
12"W W1230 (L/R)*	\$153
13.5"W W13.530 (L/R)	\$161
15"W W1530 (L/R)*	\$161
16.5"W W16.530 (L/R)*	\$170
18"W W1830 (L/R)*	\$170
21"W W2130 (L/R)	\$178

**STANDARD FEATURES**  
Adjustable Shelf (x2).

UPGRADES	PRICE
Prepped for Glass	\$39
Matching Interior	\$148

**NOTE:** Glass prep and/or matching interior available only in cab sizes marked by \*

## 30" HIGH DOUBLE DOOR WALL



SIZE / SKU	PRICE
24"W W2430*	\$229
27"W W2730	\$238
30"W W3030*	\$246
33"W W3330*	\$255
36"W W3630*	\$263

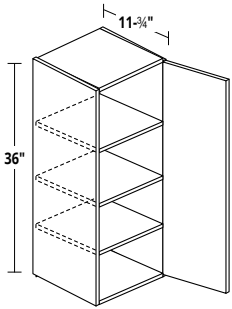
**STANDARD FEATURES**  
Adjustable Shelf (x2).

UPGRADES	PRICE
Prepped for Glass	\$78
Matching Interior	\$179

**NOTE:** Glass prep and/or matching interior available only in cab sizes marked by \*

# WALL CABINETS

## 36" HIGH SINGLE DOOR WALL



SIZE / SKU	PRICE
9"W W0936 (L/R)	\$178
12"W W1236 (L/R)*	\$190
13.5"W W13.536 (L/R)	\$200
15"W W1536 (L/R)*	\$200
16.5"W W16.536 (L/R)*	\$210
18"W W1836 (L/R)*	\$210
21"W W2136 (L/R)	\$229

### STANDARD FEATURES

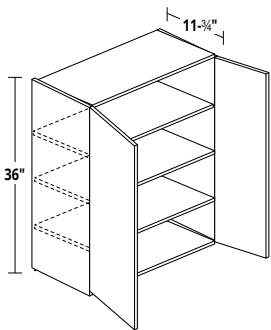
Adjustable Shelf (x3).

### UPGRADES

UPGRADES	PRICE
Prepped for Glass	\$47
Matching Interior	\$171

**NOTE:** Glass prep and/or matching interior available only in cab sizes marked by \*

## 36" HIGH DOUBLE DOOR WALL



SIZE / SKU	PRICE
24"W W2436*	\$283
27"W W2736	\$294
30"W W3036*	\$304
33"W W3336*	\$314
36"W W3636*	\$326

### STANDARD FEATURES

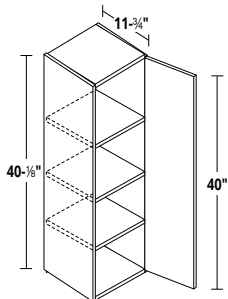
Adjustable Shelf (x3).

### UPGRADES

UPGRADES	PRICE
Prepped for Glass	\$93
Matching Interior	\$202

**NOTE:** Glass prep and/or matching interior available only in cab sizes marked by \*

## 40" HIGH SINGLE DOOR WALL



Right Hinge Shown

SIZE / SKU	PRICE
9"W W0940 (L/R)	\$205
12"W W1240 (L/R)*	\$219
13.5"W W13.540 (L/R)	\$231
15"W W1540 (L/R)*	\$231
16.5"W W16.540 (L/R)*	\$243
18"W W1840 (L/R)*	\$243
21"W W2140 (L/R)	\$255

### STANDARD FEATURES

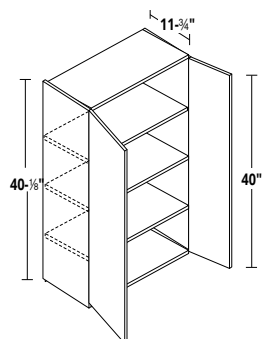
Adjustable Shelf (x3).

### UPGRADES

UPGRADES	PRICE
Prepped for Glass	\$55
Matching Interior	\$179

**NOTE:** Glass prep and/or matching interior available only in cab sizes marked by \*

## 40" HIGH DOUBLE DOOR WALL



SIZE / SKU	PRICE
24"W W2440*	\$326
27"W W2740	\$338
30"W W3040*	\$350
33"W W3340*	\$362
36"W W3640*	\$375

### STANDARD FEATURES

Adjustable Shelf (x3).

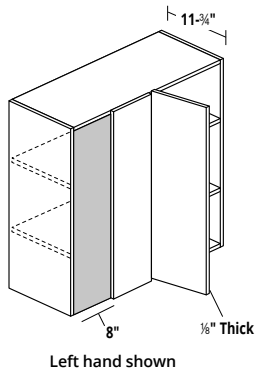
### UPGRADES

UPGRADES	PRICE
Prepped for Glass	\$109
Matching Interior	\$179

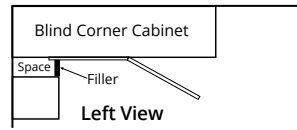
**NOTE:** Glass prep and/or matching interior available only in cab sizes marked by \*

# WALL CORNER CABINETS

## 30" / 36" / 40" HIGH SINGLE DOOR BLIND CORNER WALL



SIZE / SKU		30"H	36"H	40"H
24"W	WB2430 (L/R)	\$203	\$257	\$315
27"W	WB2730 (L/R)	\$211	\$265	\$322
30"W	WB3030 (L/R)	\$220	\$276	\$332
33"W	WB3330 (L/R)	\$228	\$284	\$343
36"W	WB3630 (L/R)	\$237	\$294	\$355



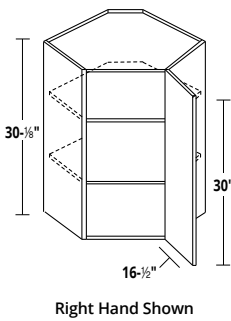
### STANDARD FEATURES

Adjustable Shelf (x2).  
Box size is as indicated.  
Filler to be ordered separately.

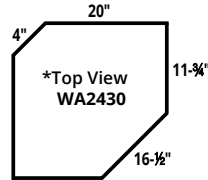
Cab	Wall Space to Fill	Door Size	Fill Req.	Min Pull	Max Pull
WB2430	24-26"	9"	3"	0"	2"
WB2730	27-29"	12"	3"	0"	2"
WB3030	30-32"	15"	3"	0"	2"
WB3330	33-35"	18"	3"	0"	2"
WB3630	36-38"	21"	3"	0"	2"

Wall blind box sizes are as stated, pulling is optional.  
Subject to site conditions.

## 30" HIGH ANGLE CORNER WALL



SIZE / SKU	PRICE
12"D WA2430 (L/R)	\$314

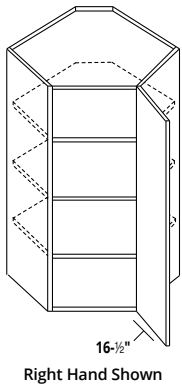


### STANDARD FEATURES

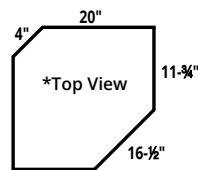
Adjustable Shelf (x2).  
5/8" Back Panel.

UPGRADES	PRICE
Prepped for Glass	\$39
Matching Interior	\$248

## 36" / 40" HIGH ANGLE CORNER WALL



SIZE / SKU	PRICE
12"D WA2436 (L/R)	\$433
12"D WA2440 (L/R)	\$498

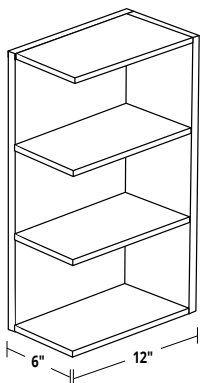


### STANDARD FEATURES

Adjustable Shelf (x3).  
5/8" Back Panel.

UPGRADES	36"	40"
Prepped for Glass	\$47	\$55
Matching Interior	\$303	\$365

## 30" / 36" / 40" HIGH WALL END CORNER CABINET



- CS-WESC1206-30-
- CS-WESC1206-36-
- CS-WESC1206-40-

	30"H	36"H	40"H
WH =White	\$225	\$235	\$235
AW =Antique White	\$240	\$250	\$250
CP =Chocolate Pear	\$240	\$250	\$250
ZA =Zambukka	\$321	\$357	\$407
AS =Ashen	\$321	\$357	\$407
FS =Fossil	\$321	\$357	\$407
BN =Banff	\$407	\$434	\$465
CM =Canmore	\$407	\$434	\$465
JS =jasper	\$407	\$434	\$465

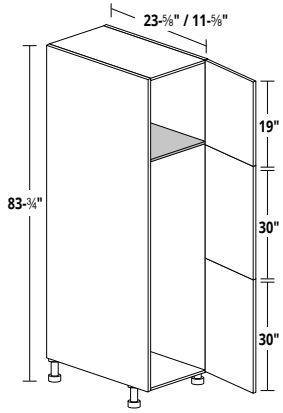
	30"H	36"H	40"H
WS =Whistler	\$407	\$434	\$465
BU=Marine Blue	\$407	\$434	\$465
GN=Beach Glass	\$407	\$434	\$465
BA= Black	\$407	\$434	\$465

### STANDARD FEATURES

Universal left or right.  
Melamine.

# TALL CABINETS

## 84" HIGH BROOM CABINET



SIZE / SKU	12" D	24" D
15"W UB1584 (L/R)	\$476	476
18"W UB1884 (L/R)	\$518	\$518
24"W UB2484 (dbl door)	\$705	\$705
30"W UB3084 (dbl door)	\$799	\$799
33"W UB3384 (dbl door)	\$858	\$858

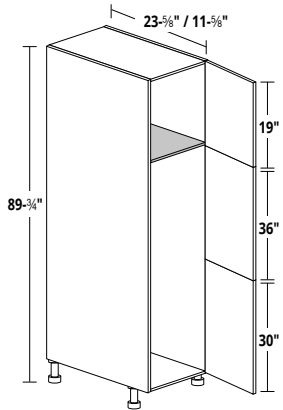
\*Add -12 to SKU to indicate 12"D.

### STANDARD FEATURES

Fixed Shelf (x1).

**NOTE:** 15"-18" wide pantries 3 door single swing, 24"-33" wide pantries 6 door double swing

## 90" HIGH BROOM CABINET



SIZE / SKU	12" D	24" D
15"W UB1590 (L/R)	\$516	\$516
18"W UB1890 (L/R)	\$567	\$567
24"W UB2490 (dbl door)	\$771	\$771
30"W UB3090 (dbl door)	\$875	\$875
33"W UB3390 (dbl door)	\$935	\$935

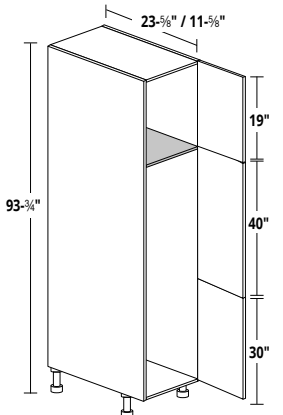
\*Add -12 to SKU to indicate 12"D.

### STANDARD FEATURES

Fixed Shelf (x1).

**NOTE:** 15"-18" wide pantries 3 door single swing, 24"-33" wide pantries 6 door double swing

## 94" HIGH BROOM CABINET



SIZE / SKU	12" D	24" D
15"W UB1594 (L/R)	\$567	\$567
18"W UB1894 (L/R)	\$617	\$617
24"W UB2494 (dbl door)	\$836	\$836
30"W UB3094 (dbl door)	\$952	\$952
33"W UB3394 (dbl door)	\$1011	\$1011

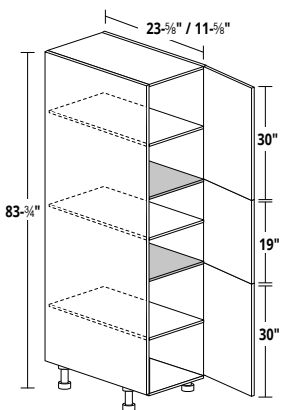
\*Add -12 to SKU to indicate 12"D.

### STANDARD FEATURES

Fixed Shelf (x1).

**NOTE:** 15"-18" wide pantries 3 door single swing, 24"-33" wide pantries 6 door double swing

## 84" HIGH PANTRY CABINET



SIZE / SKU	12" D	24" D
15"W UP1584 (L/R)	\$476	\$476
18"W UP1884 (L/R)	\$518	\$518
24"W UP2484 (dbl door)	\$705	\$705
30"W UP3084 (dbl door)	\$799	\$799
33"W UP3384 (dbl door)	\$858	\$858

\*Add -12 to SKU to indicate 12"D.

### STANDARD FEATURES

Fixed Shelf (x2).

Full depth adjustable Shelf (x3 / 22 7/8" D).

### UPGRADES

	Sgl. Dr. Unit	Dbl. Dr. Unit
Metabox Rollout X4	\$403	\$527

**Rollout location predetermined.**

**Rollouts not available in 12" Depth cabinets.**

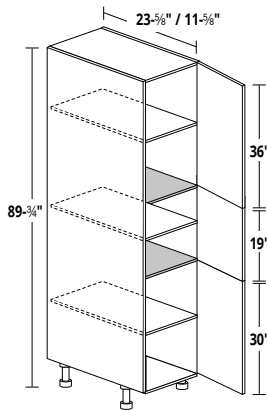
**NOTE: x2 adjustable shelves in cab with rollout.**

**NOTE:** 15"-18" wide pantries 3 door single swing, 24"-33" wide pantries 6 door double swing



# TALL CABINETS

## 90" HIGH PANTRY CABINET



SIZE / SKU	12" D	24" D
15"W UP1590 (L/R)	\$516	\$516
18"W UP1890 (L/R)	\$567	\$567
24"W UP2490 (dbl door)	\$771	\$771
30"W UP3090 (dbl door)	\$875	\$875
33"W UP3390 (dbl door)	\$935	\$935

\*Add -12 to SKU to indicate 12"D.

### STANDARD FEATURES

Fixed Shelf (x2).  
Full depth adjustable Shelf (x3 / 22 $\frac{7}{8}$ " D).

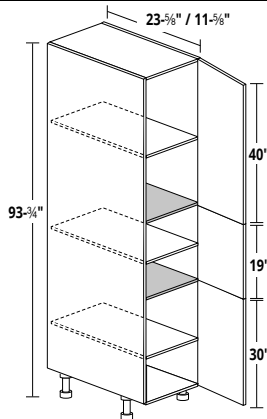
### UPGRADES

	Sgl. Dr. Unit	Dbl. Dr. Unit
Metabox Rollout X4	\$403	\$527

*Rollout location predetermined.  
Rollouts not available in 12" Depth cabinets.  
NOTE: x2 adjustable shelves in cab with rollout.*

NOTE: 15"-18" wide pantries 3 door single swing,  
24"-33" wide pantries 6 door double swing

## 94" HIGH PANTRY CABINET



SIZE / SKU	12" D	24" D
15"W UP1594 (L/R)	\$567	\$567
18"W UP1894 (L/R)	\$617	\$617
24"W UP2494 (dbl door)	\$836	\$836
30"W UP3094 (dbl door)	\$952	\$952
33"W UP3394 (dbl door)	\$1,011	\$1,011

\*Add -12 to SKU to indicate 12"D.

### STANDARD FEATURES

Fixed Shelf (x2).  
Full depth adjustable Shelf (x3 / 22 $\frac{7}{8}$ " D).

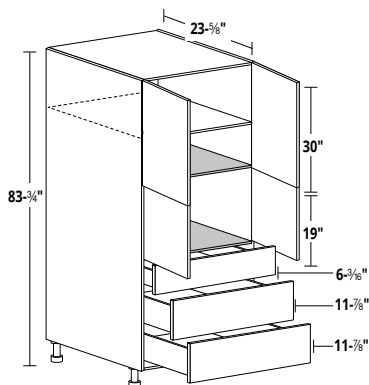
### UPGRADES

	Sgl. Dr. Unit	Dbl. Dr. Unit
Metabox Rollout X4	\$403	\$527

*Rollout location predetermined.  
Rollouts not available in 12" Depth cabinets.  
NOTE: x2 adjustable shelves in cab with rollout.*

NOTE: 15"-18" wide pantries 3 door single swing,  
24"-33" wide pantries 6 door double swing

## 84" HIGH UTILITY HUTCH CABINET



Double door Cabinet Shown

SIZE / SKU	PRICE
18"W UH1884 (L/R) (single door)	\$756
24"W UH2484 (dbl door)	\$935
30"W UH3084 (dbl door)	\$1,071
33"W UH3384 (dbl door)	\$1,130

NOTE: 18" wide pantries 2 door single swing,  
24"-33" wide pantries 4 door double swing

### STANDARD FEATURES

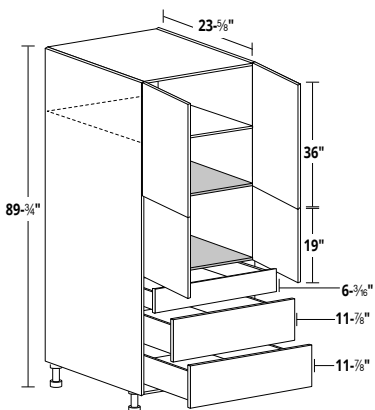
Fixed Shelf (x2).  
Full depth adjustable Shelf (x2 / 22 $\frac{7}{8}$ " D).  
Metabox Drawers.

### UPGRADES

	Sgl. Dr. Unit	Dbl. Dr. Unit
Metabox Rollout x2	\$202	\$264
Dovetail Drawer x3	\$465	\$465
Interio Drawer x3	\$279	\$279

*Rollout location predetermined.  
NOTE: x2 adjustable shelves in cab without rollout.*

## 90" HIGH UTILITY HUTCH CABINET



SIZE / SKU	PRICE
18"W UH1890 (L/R) (single door)	\$807
24"W UH2490 (dbl door)	\$1,003
30"W UH3090 (dbl door)	\$1,144
33"W UH3390 (dbl door)	\$1,212

NOTE: 18" wide pantries 2 door single swing,  
24"-33" wide pantries 4 door double swing

### STANDARD FEATURES

Fixed Shelf (x2).  
Full depth adjustable Shelf (x1 / 22 $\frac{7}{8}$ " D).  
Metabox Drawers.

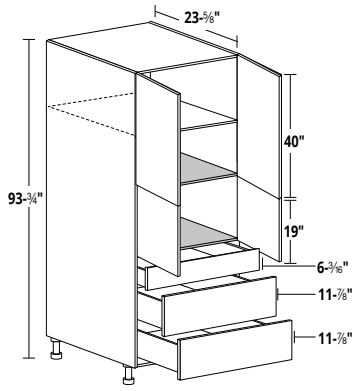
### UPGRADES

	Sgl. Dr. Unit	Dbl. Dr. Unit
Metabox Rollout x2	\$202	\$264
Dovetail Drawer x3	\$465	\$465
Interio Drawer x3	\$279	\$279

*Rollout location predetermined.  
NOTE: x2 adjustable shelves in cab without rollout.*

# TALL CABINETS

## 94" HIGH UTILITY HUTCH CABINET



Double door Cabinet Shown

### SIZE / SKU

### PRICE

18"W	UH1894 (L/R) (single door)	\$858
24"W	UH2494 (dbl door)	\$1,071
30"W	UH3094 (dbl door)	\$1,215
33"W	UH3394 (dbl door)	\$1,292

**NOTE:** 18" wide pantries 2 door single swing,  
24"-33" wide pantries 4 door double swing

### STANDARD FEATURES

Fixed Shelf (x2).  
Full depth adjustable Shelf (x1).  
Metabox Drawers.

### UPGRADES

### Sgl. Dr. Unit

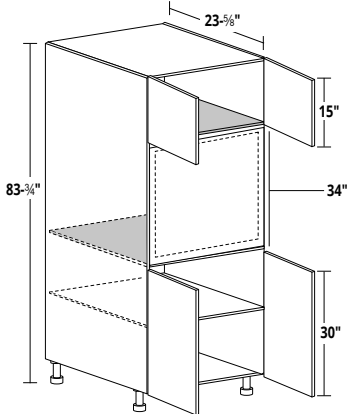
### Dbl. Dr. Unit

Metabox Rollout x2	\$202	\$264
Dovetail Drawer x3	\$465	\$465
Intero Drawer x3	\$279	\$279

*Rollout location predetermined.*

**NOTE:** x2 adjustable shelves in cab without roll out.

## 84" HIGH SINGLE OVEN CABINET



### SIZE / SKU

### PRICE

33"W	OS3384	\$867
------	--------	-------

*\*Additional reinforcement/materials are recommended to be added at the time of installing any appliance to this cabinet. Please refer to the Manufacturers specs regarding installation requirements of any appliances.*

### STANDARD FEATURES

Fixed Shelf (x2).  
Full depth adjustable Shelf (x1).  
Field cut panel - Requires L bracket. (not Incl.)  
Panel is 33"W x 35 1/4" (893mm).  
Max Cutout is 28"W x 29"H.  
Appliance support not available.

### UPGRADES

### PRICE

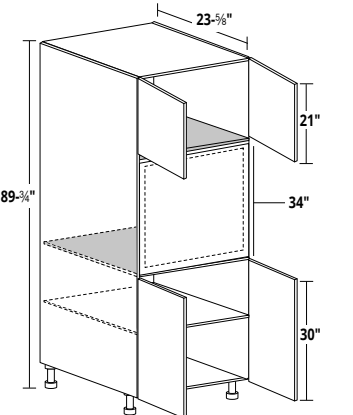
Metabox Rollout (x2)	\$264
----------------------	-------

*Rollout location predetermined.*

\*Edgetape sold separately

\*Rollouts installed in bottom

## 90" HIGH SINGLE OVEN CABINET



### SIZE / SKU

### PRICE

33"W	OS3390	\$952
------	--------	-------

*\*Additional reinforcement/materials are recommended to be added at the time of installing any appliance to this cabinet. Please refer to the Manufacturers specs regarding installation requirements of any appliances.*

### STANDARD FEATURES

Fixed Shelf (x2).  
Full depth adjustable Shelf (x1).  
Field cut panel - Requires L bracket. (not Incl.)  
Panel is 33"W x 35 1/4" (893mm).  
Max Cutout is 28"W x 29"H.  
Appliance support not available.

### UPGRADES

### PRICE

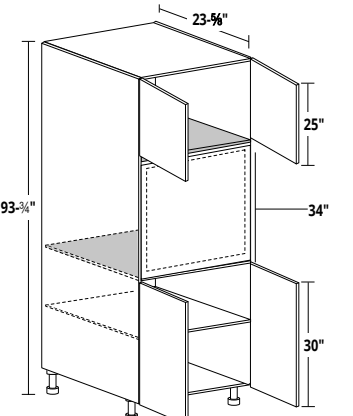
Metabox Rollout (x2)	\$264
----------------------	-------

*Rollout location predetermined.*

\*Edgetape sold separately

\*Rollouts installed in bottom

## 94" HIGH SINGLE OVEN CABINET



### SIZE / SKU

### PRICE

33"W	OS3394	\$1,028
------	--------	---------

*\*Additional reinforcement/materials are recommended to be added at the time of installing any appliance to this cabinet. Please refer to the Manufacturers specs regarding installation requirements of any appliances.*

### STANDARD FEATURES

Fixed Shelf (x2).  
Full depth adjustable Shelf (x1).  
Field cut panel - Requires L bracket. (not Incl.)  
Panel is 33"W x 35 1/4" (893mm).  
Max Cutout is 28"W x 29"H.  
Appliance support not available.

### UPGRADES

### PRICE

Metabox Rollout (x2)	\$264
----------------------	-------

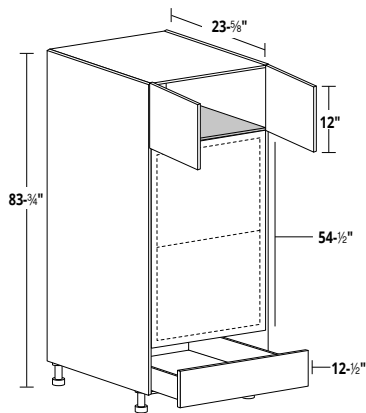
*Rollout location predetermined.*

\*Edgetape sold separately

\*Rollouts installed in bottom

# TALL CABINETS

## 84" HIGH DOUBLE OVEN CABINET



SIZE / SKU	PRICE
33"W OD3384	\$875

*\*Additional reinforcement/materials are recommended to be added at the time of installing any appliance to this cabinet. Please refer to the Manufacturers specs regarding installation requirements of any appliances.*

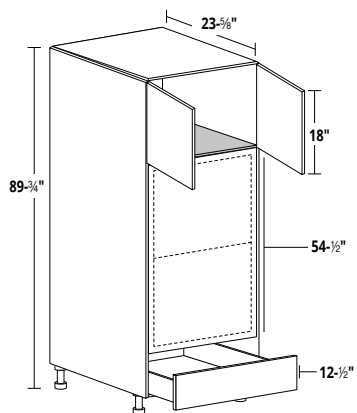
### STANDARD FEATURES

Fixed Shelf (x2).  
 Metabox Drawer.  
 Field cut panel - Requires L bracket. (not Incl.)  
 Panel is 33"W x 54 1/2" (893mm).  
 Max Cutout is 29"W x 49"H.  
 Appliance support not available.

UPGRADES	PRICE
Dovetail Drawer (x1)	\$155
Interio Drawer (x1)	\$93

\*Edgetape sold separately

## 90" HIGH DOUBLE OVEN CABINET



SIZE / SKU	PRICE
33"W OD3390	\$960

*\*Additional reinforcement/materials are recommended to be added at the time of installing any appliance to this cabinet. Please refer to the Manufacturers specs regarding installation requirements of any appliances.*

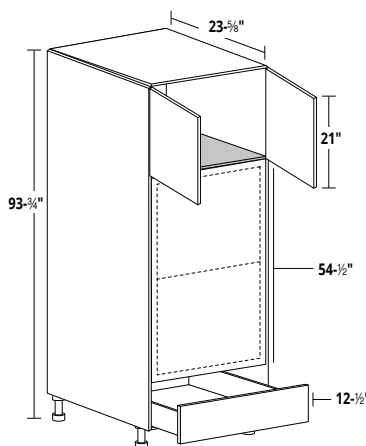
### STANDARD FEATURES

Fixed Shelf (x2).  
 Metabox Drawer.  
 Field cut panel - Requires L bracket. (not Incl.)  
 Panel is 33"W x 54 1/2" (893mm).  
 Max Cutout is 29"W x 49"H.  
 Appliance support not available.

UPGRADES	PRICE
Dovetail Drawer (x1)	\$155
Interio Drawer (x1)	\$93

\*Edgetape sold separately

## 94" HIGH DOUBLE OVEN CABINET



SIZE / SKU	PRICE
33"W OD3394	\$1,045

*\*Additional reinforcement/materials are recommended to be added at the time of installing any appliance to this cabinet. Please refer to the Manufacturers specs regarding installation requirements of any appliances.*

### STANDARD FEATURES

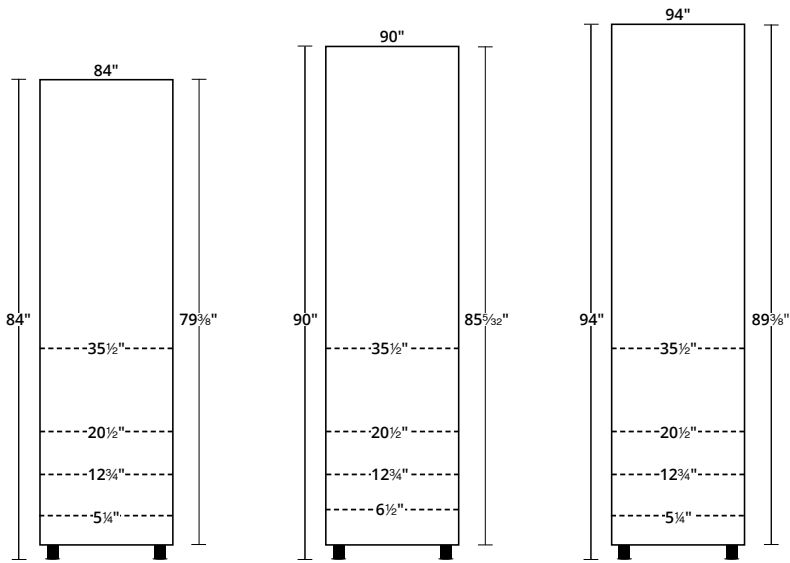
Fixed Shelf (x2).  
 Metabox Drawer.  
 Field cut panel - Requires L bracket. (not Incl.)  
 Panel is 33"W x 54 1/2" (893mm).  
 Max Cutout is 29"W x 49"H.  
 Appliance support not available.

UPGRADES	PRICE
Dovetail Drawer (x1)	\$155
Interio Drawer (x1)	\$93

\*Edgetape sold separately

# ROLL-OUT LOCATION / WEIGHT GUIDE

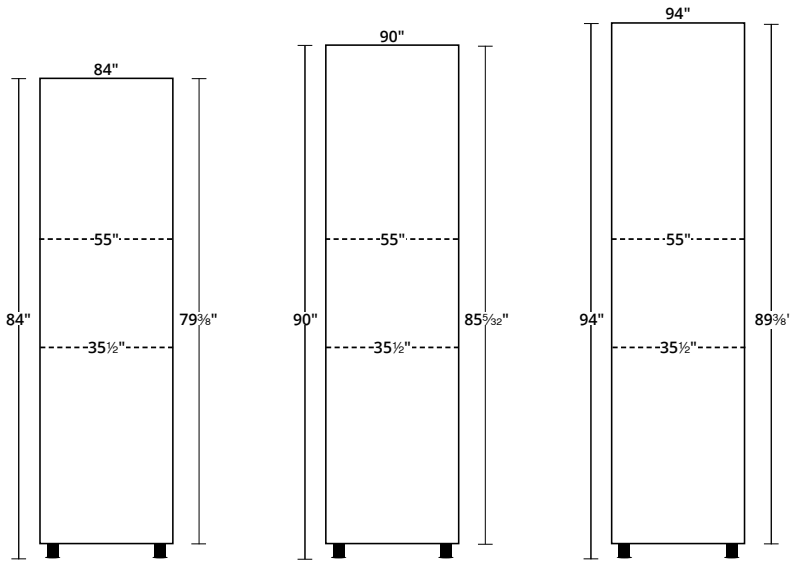
## PANTRY CABINETS WITH X4 ROLL-OUTS (84" / 90" / 94")



### NOTE

Roll-out locations are measured up from the base of the gable.

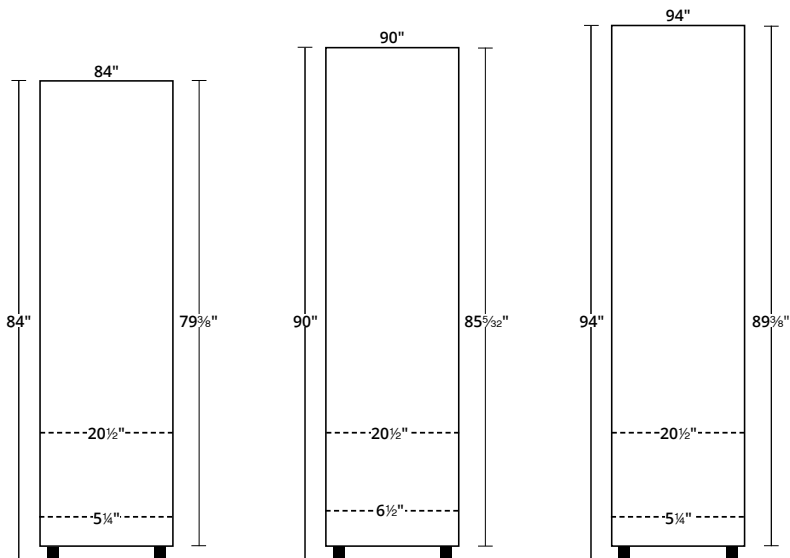
## HUTCH CABINETS WITH X2 ROLL-OUTS (84" / 90" / 94")



### NOTE

Roll-out locations are measured up from the base of the gable.

## SINGLE OVEN CABINET WITH X2 ROLL-OUTS (84" / 90" / 94")



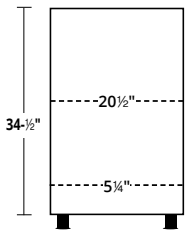
### NOTE

Roll-out locations are measured up from the base of the gable.

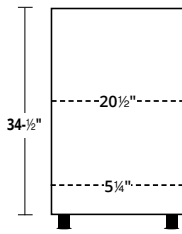
# ROLL-OUT LOCATION / WEIGHT GUIDE

## BH CABINET ROLL-OUTS (24" DEEP FULL HEIGHT DOOR BASE)

SINGLE DOOR  
BASE CAB  
(BH09 - BH21)



DOUBLE DOOR  
BASE CAB  
(BH24 - BH36)

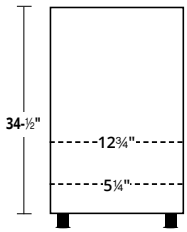


**NOTE**

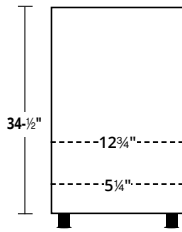
*Roll-out locations are measured up from the base of the gable.*

## BD CABINET ROLL-OUTS (24" DEEP DRAWER/DOOR BASE)

SINGLE DRAWER/  
DOOR BASE CAB  
(BD13.5 - BD21)



DOUBLE DRAWER/  
DOOR BASE CAB  
(BD24 - BD36)



**NOTE**

*Roll-out locations are measured up from the base of the gable.*

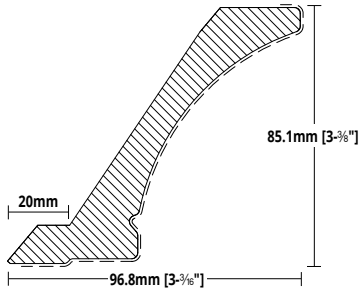
## WEIGHT LIMITATIONS ON DRAWERS AND ROLLOUTS



Metabox	50lbs
Tandem	60lbs
Dovetail	80lbs
Roll Outs	20lbs

# ACCESSORIES

## CONTEMPORARY CROWN MOULDING (POLYESTER)



\*107" Length

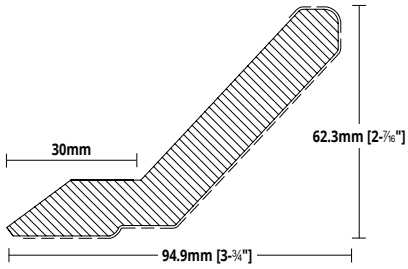
### SKU

CS-CCROWN-

COLOUR	PRICE	COLOUR	PRICE
WH=White	\$135	CM=Canmore	\$135
AW=Antique White	\$135	JS=jasper	\$135
CP=Chocolate Pear	\$135	WS=Whistler	\$135
ZA=Zambukka	\$135	BU=Marine Blue	\$135
FS=Fossil	\$135	GN=Beach Glass	\$135
AS=Ashen	\$135	BA=Black	\$135
BN=Banff	\$135		

**NOTE:** Crown cannot be used with 40"H uppers and 8' ceilings.  
\*Integrated cleat/nailing strip (top mount) Cleat Length = 20mm

## SHAKER CROWN MOULDING (POLYESTER)



\*107" Length

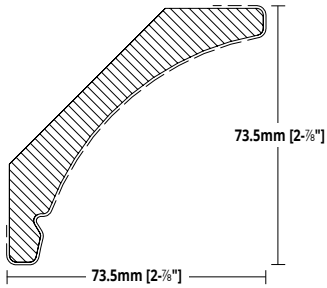
### SKU

CS-IMSHCROWN-

COLOUR	PRICE	COLOUR	PRICE
WH=White	\$135	CM=Canmore	\$135
AW=Antique White	\$135	JS=jasper	\$135
CP=Chocolate Pear	\$135	WS=Whistler	\$135
ZA=Zambukka	\$135	BU=Marine Blue	\$135
FS=Fossil	\$135	GN=Beach Glass	\$135
AS=Ashen	\$135	BA=Black	\$135
BN=Banff	\$135		

**NOTE:** Crown cannot be used with 40"H uppers and 8' ceilings.  
\*Integrated cleat/nailing strip (top mount) Cleat Length = 30mm

## FACEMOUNT CONTEMPORARY CROWN (POLYESTER)



\*107" Length

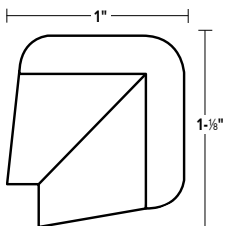
### SKU

CS-IMFMCCROWN-

COLOUR	PRICE	COLOUR	PRICE
WH=White	\$135	CM=Canmore	\$135
AW=Antique White	\$135	JS=jasper	\$135
CP=Chocolate Pear	\$135	WS=Whistler	\$135
ZA=Zambukka	\$135	BU=Marine Blue	\$135
FS=Fossil	\$135	GN=Beach Glass	\$135
AS=Ashen	\$135	BA=Black	\$135
BN=Banff	\$135		

**NOTE:** Starter moulding or scribe required for installation.  
\*No cleat/nailing strip (surface mount).

## OUTSIDE MOULDING (POLYESTER)



\*96" Length

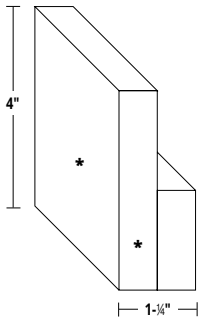
### SKU

CS-IMOUTCORNER-

COLOUR	PRICE	COLOUR	PRICE
WH=White	\$135	CM=Canmore	\$135
AW=Antique White	\$135	JS=jasper	\$135
CP=Chocolate Pear	\$135	WS=Whistler	\$135
ZA=Zambukka	\$135	BU=Marine Blue	\$135
FS=Fossil	\$135	GN=Beach Glass	\$135
AS=Ashen	\$135	BA=Black	\$135
BN=Banff	\$135		

# ACCESSORIES

## FACEMOUNT STARTER MOULDING (MELAMINE)



96" Length

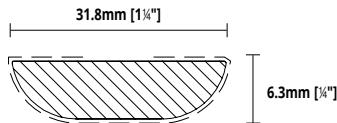
### SKU

CS-IMSM4-

\* Indicates finished sides

COLOUR	PRICE	COLOUR	PRICE
<b>WSM</b> = Smooth White	\$160	<b>CM</b> =Canmore	\$140
<b>AW</b> =Antique White	\$140	<b>JS</b> =Jasper	\$140
<b>CP</b> =Chocolate Pear	\$140	<b>WS</b> =Whistler	\$140
<b>ZA</b> =Zambukka	\$140	<b>BU</b> =Marine Blue	\$156
<b>FS</b> =Fossil	\$140	<b>GN</b> =Beach Glass	\$156
<b>AS</b> =Ashen	\$140	<b>BA</b> =Black	\$156
<b>BN</b> =Banff	\$140		

## BATTEN MOULDING (POLYESTER)



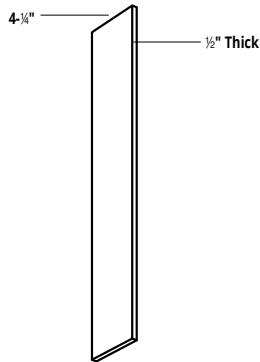
\*107" Length

### SKU

CS-IMBATTEN-

COLOUR	PRICE	COLOUR	PRICE
<b>WH</b> =White	\$78	<b>CM</b> =Canmore	\$78
<b>AW</b> =Antique White	\$78	<b>JS</b> =Jasper	\$78
<b>CP</b> =Chocolate Pear	\$78	<b>WS</b> =Whistler	\$78
<b>ZA</b> =Zambukka	\$78	<b>BU</b> =Marine Blue	\$78
<b>FS</b> =Fossil	\$78	<b>GN</b> =Beach Glass	\$78
<b>AS</b> =Ashen	\$78	<b>BA</b> =Black	\$78
<b>BN</b> =Banff	\$78		

## TOE KICK (TK) / VANITY TOEKICK (VK)



\*107" Length. No finished edges.

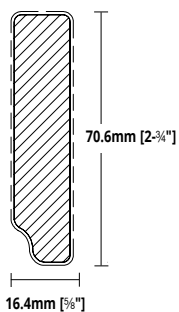
### SKU

CS-96TK-

CS-96VK-

COLOUR	PRICE (TK)	PRICE (VK)	COLOUR	PRICE (TK)	PRICE (VK)
<b>WH</b> =White	\$31	\$42	<b>CM</b> =Canmore	\$75	\$66
<b>AW</b> =Antique White	\$53	\$59	<b>JS</b> =Jasper	\$75	\$66
<b>CP</b> =Chocolate Pear	\$53	\$59	<b>WS</b> =Whistler	\$75	\$66
<b>ZA</b> =Zambukka	\$75	\$66	<b>BU</b> =Marine Blue	\$75	\$66
<b>FS</b> =Fossil	\$75	\$66	<b>GN</b> =Beach Glass	\$75	\$66
<b>AS</b> =Ashen	\$75	\$66	<b>BA</b> =Black	\$75	\$66
<b>BN</b> =Banff	\$75	\$66			

## LIGHT VALANCE (POLYESTER)



\*107" Length

### SKU

CS-LVALANCE-

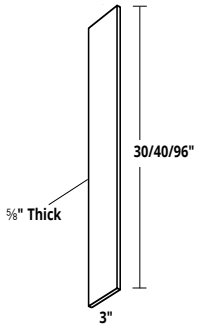
**DID YOU KNOW!**  
Light Valance can also be installed flat as a Crown & match Flat Valance

COLOUR	PRICE	COLOUR	PRICE
<b>WH</b> =White	\$95	<b>CM</b> =Canmore	\$95
<b>AW</b> =Antique White	\$95	<b>JS</b> =Jasper	\$95
<b>CP</b> =Chocolate Pear	\$95	<b>WS</b> =Whistler	\$95
<b>ZA</b> =Zambukka	\$95	<b>BU</b> =Marine Blue	\$95
<b>FS</b> =Fossil	\$95	<b>GN</b> =Beach Glass	\$95
<b>AS</b> =Ashen	\$95	<b>BA</b> =Black	\$95
<b>BN</b> =Banff	\$95		

**NOTE:** Installed using L brackets (not incl.). Fully wrapped.  
\*No cleat/nailing strip (surface mount).

# ACCESSORIES

## FILLER STRIP 30" / 40" / 96"



\*No finished edges

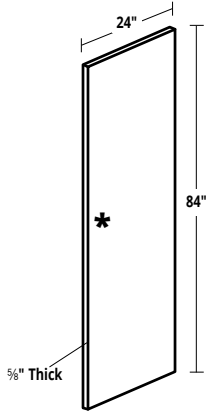
### SKU

CS-30FILLER-  
CS-40FILLER-  
CS-96FILLER-

COLOUR	30"	40"	96"	COLOUR	30"	40"	96"
<b>WSM</b> = Smooth White	\$40	\$50	\$90	<b>CM</b> =Canmore	\$41	\$44	\$75
<b>AW</b> =Antique White	\$28	\$31	\$53	<b>JS</b> =Jasper	\$41	\$44	\$75
<b>CP</b> =Chocolate Pear	\$28	\$31	\$53	<b>WS</b> =Whistler	\$41	\$44	\$75
<b>ZA</b> =Zambukka	\$41	\$44	\$75	<b>BU</b> =Marine Blue	\$41	\$44	\$75
<b>FS</b> =Fossil	\$41	\$44	\$75	<b>GN</b> =Beach Glass	\$41	\$44	\$75
<b>AS</b> =Ashen	\$41	\$44	\$75	<b>BA</b> =Black	\$41	\$44	\$75
<b>BN</b> =Banff	\$41	\$44	\$75				

NOTE: WSM = Smooth White Upgrade for NSW & NTW.

## REFRIDGERATOR PANELS (84" HEIGHT)



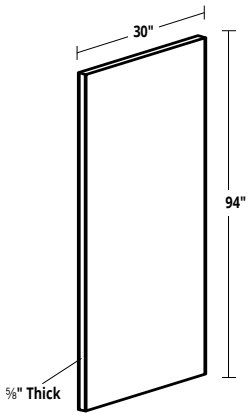
### SKU

CS-FRIDGE84-WH

COLOUR	PRICE
<b>WH</b> =White ( <i>melamine</i> )	\$142

NOTE: Both sides are finished, as well as front vertical edge.

## REFRIDGERATOR PANEL 30" DEEP (94" HEIGHT)



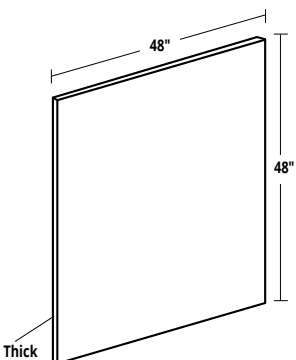
### SKU

CS-FRIDGE9430-

COLOUR	94"	COLOUR	94"
<b>WH</b> =White ( <i>melamine</i> )	\$173	<b>CM</b> =Canmore	\$258
<b>AW</b> =Antique White	\$258	<b>JS</b> =Jasper	\$258
<b>CP</b> =Chocolate Pear	\$258	<b>WS</b> =Whistler	\$258
<b>ZA</b> =Zambukka	\$258	<b>BU</b> =Marine Blue	\$569
<b>FS</b> =Fossil	\$258	<b>GN</b> =Beach Glass	\$569
<b>AS</b> =Ashen	\$258	<b>BA</b> =Black	\$569
<b>BN</b> =Banff	\$258		

NOTE: Both sides are finished, as well as front vertical edge.

## ISLAND PANEL



### SKU

CS-ISLAND48-

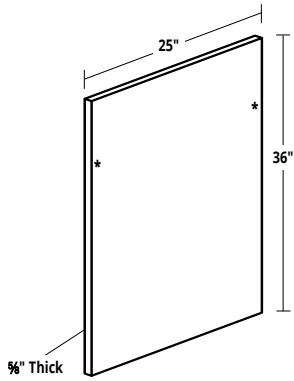
COLOUR	PRICE	COLOUR	PRICE
<b>WH</b> =White ( <i>melamine</i> )	\$117	<b>CM</b> =Canmore	\$255
<b>AW</b> =Antique White	\$152	<b>JS</b> =Jasper	\$255
<b>CP</b> =Chocolate Pear	\$191	<b>WS</b> =Whistler	\$255
<b>ZA</b> =Zambukka	\$255	<b>BU</b> =Marine Blue	\$339
<b>FS</b> =Fossil	\$255	<b>GN</b> =Beach Glass	\$339
<b>AS</b> =Ashen	\$255	<b>BA</b> =Black	\$339
<b>BN</b> =Banff	\$255		

NOTE: Both sides are finished, as well as front vertical edge.



# ACCESSORIES

## DISHWASHER PANEL



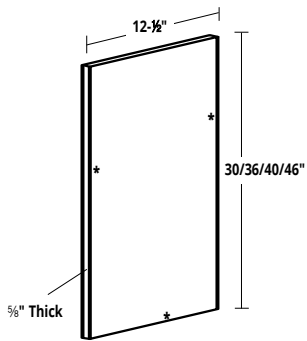
### SKU

CS-DWPANEL3625-

COLOUR	PRICE	COLOUR	PRICE
<b>WH</b> =White ( <i>melamine</i> )	\$64	<b>CM</b> =Canmore	\$144
<b>AW</b> =Antique White	\$98	<b>JS</b> =Jasper	\$144
<b>CP</b> =Chocolate Pear	\$98	<b>WS</b> =Whistler	\$144
<b>ZA</b> =Zambukka	\$144	<b>BU</b> =Marine Blue	\$185
<b>FS</b> =Fossil	\$144	<b>GN</b> =Beach Glass	\$185
<b>AS</b> =Ashen	\$144	<b>BA</b> =Black	\$185
<b>BN</b> =Banff	\$144		

NOTE: Both sides are finished, \* shows finished edges.

## WALL END PANEL -12" DEEP (30" / 36" / 40" / 46" HEIGHT)



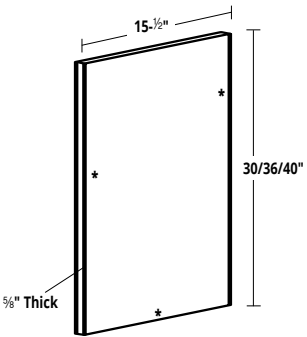
### SKU

CS-WEP1230-  
CS-WEP1236-  
CS-WEP1240-  
CS-WEP12.546-

COLOUR	30"	36"	40"	46"	COLOUR	30"	36"	40"	46"
<b>WH</b> =White ( <i>melamine</i> )	\$49	\$58	\$58	\$64	<b>CM</b> =Canmore	\$81	\$100	\$105	\$108
<b>AW</b> =Antique White	\$56	\$61	\$71	\$68	<b>JS</b> =Jasper	\$81	\$100	\$105	\$108
<b>CP</b> =Chocolate Pear	\$56	\$61	\$71	\$68	<b>WS</b> =Whistler	\$81	\$100	\$105	\$108
<b>ZA</b> =Zambukka	\$81	\$100	\$105	\$108	<b>BU</b> =Marine Blue	\$99	\$119	\$124	\$124
<b>FS</b> =Fossil	\$81	\$100	\$105	\$108	<b>GN</b> =Beach Glass	\$99	\$119	\$124	\$124
<b>AS</b> =Ashen	\$81	\$100	\$105	\$108	<b>BA</b> =Black	\$99	\$119	\$124	\$124
<b>BN</b> =Banff	\$81	\$100	\$105	\$108					

NOTE: Both sides are finished, \* shows finished edges.

## WALL END PANEL -15" DEEP (36" HEIGHT)



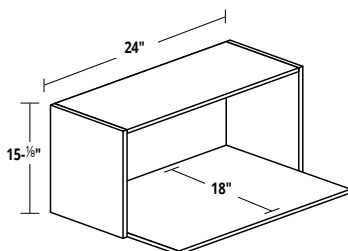
### SKU

CS-WEP1530-  
CS-WEP1536-  
CS-WEP1540-

COLOUR	30"	36"	40"	COLOUR	30"	36"	40"
<b>WH</b> =White ( <i>melamine</i> )	\$64	\$72	\$72	<b>CM</b> =Canmore	\$116	\$146	\$175
<b>AW</b> =Antique White	\$68	\$76	\$76	<b>JS</b> =Jasper	\$116	\$146	\$175
<b>CP</b> =Chocolate Pear	\$68	\$76	\$95	<b>WS</b> =Whistler	\$116	\$146	\$175
<b>ZA</b> =Zambukka	\$116	\$146	\$175	<b>BU</b> =Marine Blue	\$116	\$146	\$175
<b>FS</b> =Fossil	\$116	\$146	\$175	<b>GN</b> =Beach Glass	\$116	\$146	\$175
<b>AS</b> =Ashen	\$116	\$146	\$175	<b>BA</b> =Black	\$116	\$146	\$175
<b>BN</b> =Banff	\$116	\$146	\$175				

NOTE: Both sides are finished, \* shows finished edges.

## MICROWAVE SHELF



### SKU

CS-MS2415-

COLOUR	PRICE	COLOUR	PRICE
<b>WH</b> =White ( <i>melamine</i> )	\$181	<b>CM</b> =Canmore	\$320
<b>AW</b> =Antique White	\$181	<b>JS</b> =Jasper	\$320
<b>CP</b> =Chocolate Pear	\$181	<b>WS</b> =Whistler	\$320
<b>ZA</b> =Zambukka	\$274	<b>BU</b> =Marine Blue	\$320
<b>FS</b> =Fossil	\$274	<b>GN</b> =Beach Glass	\$320
<b>AS</b> =Ashen	\$274	<b>BA</b> =Black	\$320
<b>BN</b> =Banff	\$320		

## WHITE ACCESSORY REFERENCE GUIDE

### EASY REFERENCE GUIDE

Pure Series offers one variation of White which require certain accessories to best match your Cabinetry. Below helps to explain which shade(s) of White for your accessory to use with your choice of Doorstyle.

#### VARIATIONS:

Shaker White (NSW) / Transtional White (NTW)

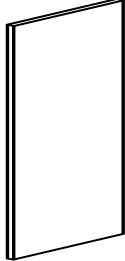
DOOR STYLE	ACCESSORY		
	FILLER STRIPS	CROWN / MOULDING	PANELS / WEP / TOEKICKS
NSW / NTW	Use Colour Code <b>-WSM</b>	Use Colour Code <b>-WH</b>	Use Colour Code <b>-WH</b>

#### EXAMPLE: NSW KITCHEN ORDER

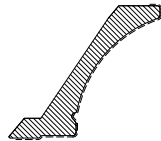
SKU  
CS-30FILLER-WSM



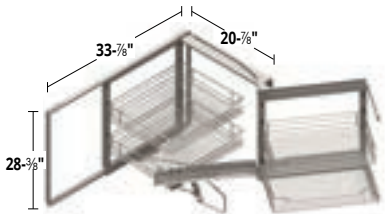
SKU  
CS-WEP1230-WH



SKU  
CS-CCROWN-WH



### MAGIC CORNER



\*CS-S3002 Left hand shown.

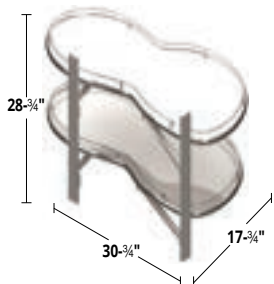
SKU	PRICE
CS-S3001	\$1,209
CS-S3002	\$1,209

#### DESIGNED FOR USE IN

- .CS-S3001:**
  - BBH45/48R Blind Corner Cabinet
- .CS-S3002:**
  - BBH45/48L Blind Corner Cabinet

**NOTE:** Accessory is not installed, shipped separately. When installing, two pieces of material will be required to mount to centre panel of door. 7mm thick X 6"W x 2"H.

### KIDNEY MAGIC CORNER



\*Right hand shown.

SKU	PRICE
CS-S3013 (for Right Handed door)	\$1,252
CS-S3014 (for Left Handed door)	\$1,252

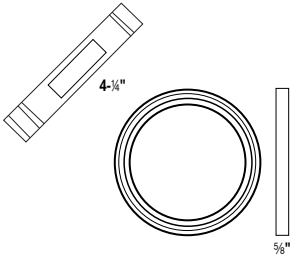
#### DESIGNED FOR USE IN

- .CS-S3013: (FOR RH DOOR)**
  - BBH45R Blind Corner Cabinet
- .CS-S3014: (FOR LH DOOR)**
  - BBH45L Blind Corner Cabinet

**NOTE:** Accessory is not installed, shipped separately. When installing, two pieces of material will be required to mount to centre panel of door. 7mm thick X 6"W x 2"H.

# ACCESSORIES

## FINISHING MATERIALS (TOUCH-UP CRAYONS / EDGETAPE)

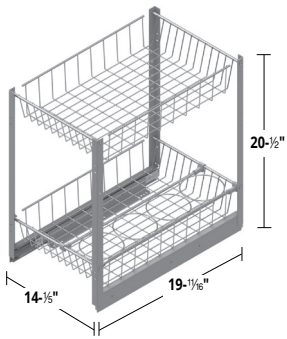


	SKU	PRICE
Touch up Crayon	CS-CRAYON	\$24/each
Iron-on Edge Tape (5/8") (WH, AW, CP, ZA)	CS-EDGETAPE	\$2/ft
Peel and Stick Edge Tape (5/8") (AS, BN, CM, FS, JS, WS, BU, BA, GN)	CS-EDGETAPE-PSC	\$4/ft

**NOTE:** Iron on Tape available in White (WH), Chocolate Pear (CP) & Zambukka (ZA).

Peel & Stick Tape available in Ashen (AS), Fossil (FS), Banff (BN), Jasper (JS), Canmore (CM) & Whistler (WS).

## 2 BASKET WITH BOTTLE HOLDER



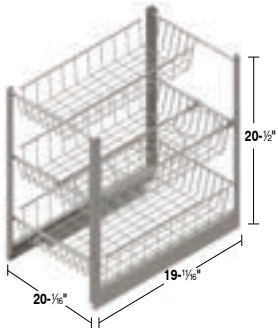
SKU	PRICE
CS-S2103	\$309

### DESIGNED FOR USE IN

- **BH18** Full Height Base Cabinet
- **BD18** 1 Door/1 Drawer Base Cabinet
- **UP1884** 18" Wide Pantry (without Rollouts)
- **UP1890** 18" Wide Pantry (without Rollouts)
- **UP1894** 18" Wide Pantry (without Rollouts)

**NOTE:** Accessory is not installed, shipped separately.

## 3 BASKET WITH BOTTLE HOLDER



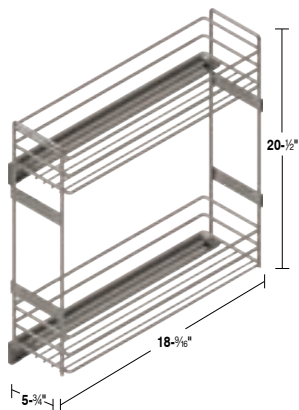
SKU	PRICE
CS-S2126	\$399

### DESIGNED FOR USE IN

- **BH24** Full Height Base Cabinet
- **BD24** 1 Door/1 Drawer Base Cabinet
- **UP2484** 24" Wide Pantry (without Rollouts)
- **UP2490** 24" Wide Pantry (without Rollouts)
- **UP2494** 24" Wide Pantry (without Rollouts)

**NOTE:** Accessory is not installed, shipped separately.

## UNIVERSAL RACK (SPICES & DETERGENTS)



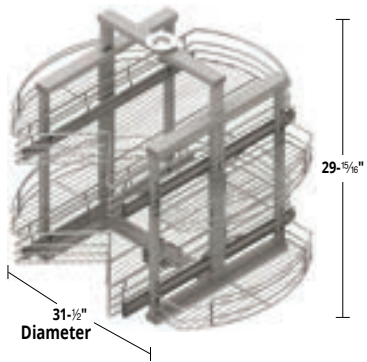
SKU	PRICE
CS-S2213	\$219

### DESIGNED FOR USE IN

- **BH09** Full Height Base Cabinet

**NOTE:** Accessory is not installed, shipped separately.

## TURNING BASKET WITH RAILS



SKU	PRICE
CS-S3041	\$1,795

### DESIGNED FOR USE IN

- **BE36** Easy Reach Corner Cabinet

**NOTE:** Accessory is not installed, shipped separately in 2 boxes.

## WIRE LAZY SUSAN



SKU	PRICE
.CS-LSW33	\$445
.CS-LSW36	\$475

33" = 29<sup>1</sup>/<sub>16</sub>" Diameter x 29<sup>15</sup>/<sub>16</sub>" Height  
 36" = 32<sup>1</sup>/<sub>16</sub>" Diameter x 29<sup>15</sup>/<sub>16</sub>" Height

### DESIGNED FOR USE IN

#### .CS-LSW33:

- **BE33** Easy Reach Corner Cabinet
- **BE33-36** Offset Easy Reach Corner Cabinet
- **BE36-33** Offset Easy Reach Corner Cabinet

#### .CS-LSW36:

- **BE36** Easy Reach Corner Cabinet

**NOTE:** Accessory ships installed. Can also be ordered uninstalled separately.

## P.V.C LAZY SUSAN



SKU	PRICE
.CS-P24K30	\$189
.CS-P28K30	\$229

33" = 29<sup>1</sup>/<sub>16</sub>" Diameter x 29<sup>15</sup>/<sub>16</sub>" Height  
 36" = 32<sup>1</sup>/<sub>16</sub>" Diameter x 29<sup>15</sup>/<sub>16</sub>" Height

### DESIGNED FOR USE IN

#### .CS-P24K30:

- **BE33** Easy Reach Corner Cabinet
- **BE33-36** Offset Easy Reach Corner Cabinet
- **BE36-33** Offset Easy Reach Corner Cabinet

#### .CS-P28K30:

- **BE36** Easy Reach Corner Cabinet

**NOTE:** Accessory ships installed. Can also be ordered uninstalled separately.

## DUAL GARBAGE CAN SYSTEM



SKU	PRICE
CS-WB-BLK	\$300
CS-WB-BLK-DOORKIT	\$50

### DESIGNED FOR USE IN

#### CS-WB-BLK:

Any 18"W Base Cabinet.

#### CS-WB-BLK-DOORKIT:

A Door mounting kit designed for the CS-WB-BLK only. When installing, two pieces of material will be required to mount to centre panel of door. 7mm thick x 6"W x 2"H.

**NOTE:** Accessory is not installed, shipped separately. Each bin has a 35 quart capacity.

Cabinetsmith   
style • quality • affordability

# IMPRESSION

series

## **VANITY SPEC & PRICING**

**PRICING SHOWN IN LIST. MX.48  
NO DOOR MULTIPLIER REQUIRED WHEN ORDERING.**

**IMPRESSION PURE WHITE | PAGES. 30-37  
IMPRESSION CLASSIC MAPLE | PAGES. 38-43  
VANITY TOP OFFERING | PAGE. 44**

## PURE WHITE | Construction Overview

IMPRESSION Series Vanities offer two choices in construction with **PURE** White and Classic **MAPLE**. Please note for MAPLE Classic vanities, pricing includes decorative style toekicks. See below for full details and options.



NOTCHED GABLE



SOFTCLOSE DOORS



SOFTCLOSE DRAWERS

## PURE WHITE | Standard Features

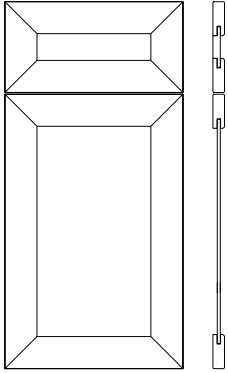
<b>INTERIOR COLOUR</b> <i>*Top/Bottom/Rails &amp; Drawers</i>	<b>WHITE</b>
<b>INTERIOR COLOUR</b> <i>*Cabinet Sides</i>	Colour Matched To Door
<b>EXTERIOR SIDE COLOUR</b>	Colour Matched To Door
<b>VERTICAL EDGE TAPING</b> <i>*Exterior Side</i>	Colour Matched To Door
<b>HORIZONTAL EDGE TAPING</b>	White
<b>SOFT CLOSE HINGES</b>	✓
<b>SOFT CLOSE METABOX DRAWERS</b>	✓



- 99% post industrial recyclable material
- High heat, scratch & stain resistant
- Permanent antibacterial surface

### SHAKER

SMOOTH, PAINT LIKE FINISHES

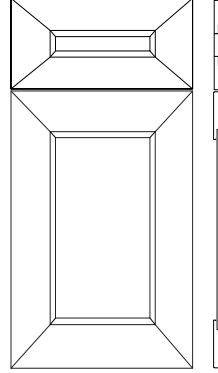


**Specifications**

- Construction – Mitre, mortise & tenon
- Rail & Stile – 2¼" wide
- Door Panel – ¼" thick
- Drawer front – 5 piece mitre
- Drawer Panel – ¼" thick
- Door Vertical grain centre panel
- Drawer Horizontal grain centre panel

### TRANSITIONAL

SMOOTH, PAINT LIKE FINISHES



**Specifications**

- Construction – Mitre, mortise & tenon
- Rail & Stile – 2½" wide
- Door panel – ¼" thick
- Drawer Front – 5 piece mitre
- Drawer Panel – ¼" thick
- Door Vertical grain centre panel
- Drawer Horizontal grain centre panel

White	NSW
Antique White	NSA
Java	NSJ
Zambukka	NSZ
Fossil	NSF
Ashen	NSQ

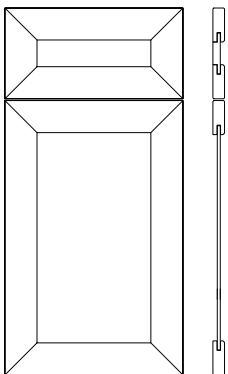
Marine Blue	NSE
Beach Glass	NSG
Black	NSK

White	NTW
Antique White	NTA
Java	NTJ
Zambukka	NTZ
Fossil	NTF
Ashen	NTQ

Marine Blue	NTE
Beach Glass	NTG
Black	NTK

### SHAKER WOODGRAIN

TRUE WOOD TEXTURES & GRAINS

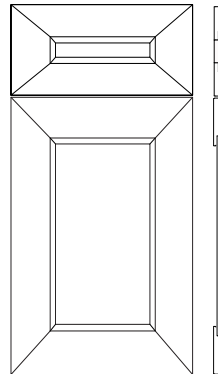


**Specifications**

- Construction – Mitre, mortise & tenon
- Rail & Stile – 2¼" wide
- Door panel – ¼" thick
- Drawer Front – 5 piece mitre
- Drawer Panel – ¼" thick
- Vertical grain centre panel
- Door Vertical grain centre panel
- Drawer Horizontal grain centre panel

### TRANSITIONAL WOODGRAIN

TRUE WOOD TEXTURES & GRAINS



**Specifications**

- Construction – Mitre, mortise & tenon
- Rail & Stile – 2½" wide
- Door panel – ¼" thick
- Drawer Front – 5 piece mitre
- Drawer Panel – ¼" thick
- Door Vertical grain centre panel
- Drawer Horizontal grain centre panel

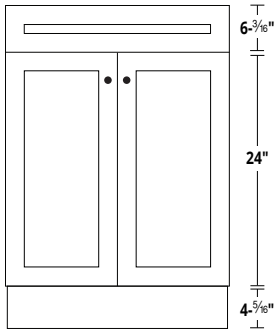
Whistler	ISW
Jasper	ISJ
Banff	ISB
Canmore	ISC

Whistler	ITW
Jasper	ITJ
Banff	ITB
Canmore	ITC

**Maintenance:** The surface of ECOSTYLE may be cleaned with a damp cloth, ordinary soap and water, or, if considered necessary, with a general-purpose household cleaner. Using a diluted vinegar solution for general purpose cleaning is suitable. Thoroughly dry the surface with a soft, cotton cloth. More stubborn dirt and greasy fingerprints may be removed with solvents such as Acetone (nail polish remover), methyl ethyl ketone (MEK) (use adequate ventilation, beware of open flame). Acidic, alkaline or abrasive cleaners should not be used because it can damage laminate surfaces. Please note - Do not use lemon juice because it is acidic.

# IMPRESSION PURE VANITIES | 34.5"H EASY ORDER COMBOS

## 24"W X 34.5"H | 2-DOOR VANITY



### STANDARD FEATURES

21" D | Notched gables | Soft close doors | *Not Pre-drilled for hardware.*

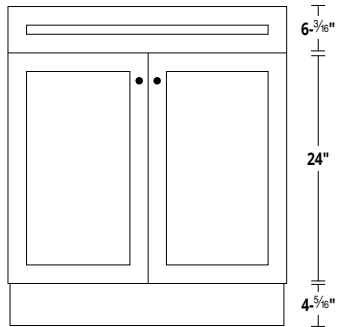
SIZE / SKU	Vanity Only PRICE
24"W   CS-VFH2421	\$569.10

### COMBO PRICING

CULTURED MARBLE	PRISM QUARTZ
\$877.44	\$1,137.85

(\*Top Packaged separately)

## 30"W X 34.5"H | 2-DOOR VANITY



### STANDARD FEATURES

21" D | Notched gables | Soft close doors | *Not Pre-drilled for hardware.*

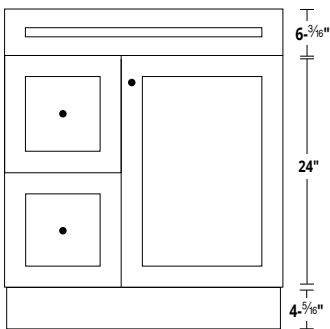
SIZE / SKU	Vanity Only PRICE
30"W   CS-VFH3021	\$657.30

### COMBO PRICING

CULTURED MARBLE	PRISM QUARTZ
\$983.35	\$1,253.27

(\*Top Packaged separately)

## 30"W X 34.5"H | 1-DOOR / 2-DRAWER VANITY (L/R)



Left Hand Shown

### STANDARD FEATURES

21" D | Notched gables | Soft close doors | Soft close metabox drawers | *Not Pre-drilled for hardware.*

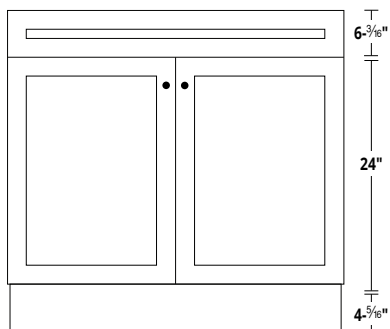
SIZE / SKU	Vanity Only PRICE
30"W   CS-V2D3021 (L/R)	\$861.00

### COMBO PRICING

CULTURED MARBLE	PRISM QUARTZ
\$1,187.05	\$1,456.97

(\*Top Packaged separately)

## 36"W X 34.5"H | 2-DOOR VANITY



### STANDARD FEATURES

21" D | Notched gables | Soft close doors | *Not Pre-drilled for hardware.*

SIZE / SKU	Vanity Only PRICE
36"W   CS-VFH3621	\$747.60

### COMBO PRICING

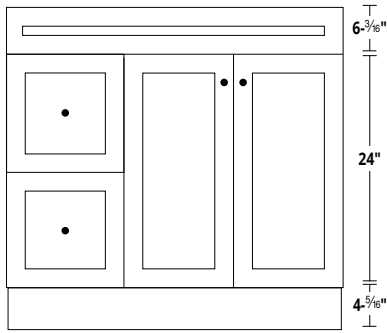
CULTURED MARBLE	PRISM QUARTZ
\$1,142.23	\$1,408.58

(\*Top Packaged separately)



# IMPRESSION PURE VANITIES | 34.5"H EASY ORDER COMBOS

## 36"W X 34.5"H | 2-DOOR / 2-DRAWER VANITY (L/R)



Left Hand Shown

### STANDARD FEATURES

21" D | Notched gables | Soft close doors | Soft close metabox drawers | *Not Pre-drilled for hardware.*

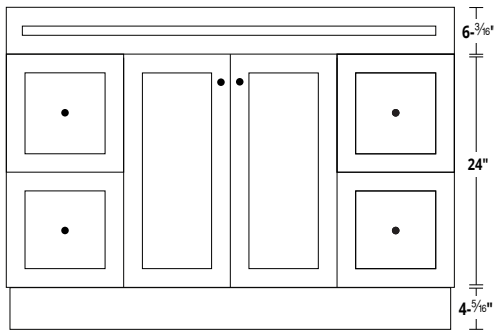
SIZE / SKU	Vanity Only PRICE
<b>36"W</b> CS-V2D3621	\$959.70

### COMBO PRICING

CULTURED MARBLE	PRISM QUARTZ
\$1,354.33	\$1,620.68

(\*Top Packaged separately)

## 48"W X 34.5"H | 2-DOOR / 4-DRAWER VANITY



### STANDARD FEATURES

21" D | Notched gables | Soft close doors | Soft close metabox drawers | *Not Pre-drilled for hardware.*

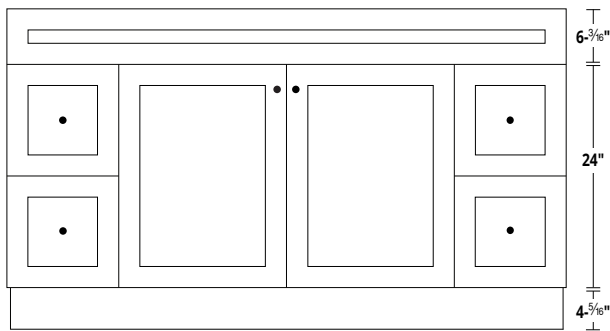
SIZE / SKU	Vanity Only PRICE
<b>48"W</b> CS-V4D4821	\$1,310.40

### COMBO PRICING

CULTURED MARBLE	PRISM QUARTZ
\$1,813.17	\$2,005.90

(\*Top Packaged separately)

## 60"W X 34.5"H | 2-DOOR / 4-DRAWER SINGLE SINK VANITY



### STANDARD FEATURES

21" D | Notched gables | Soft close doors | Soft close metabox drawers | *Not Pre-drilled for hardware.*

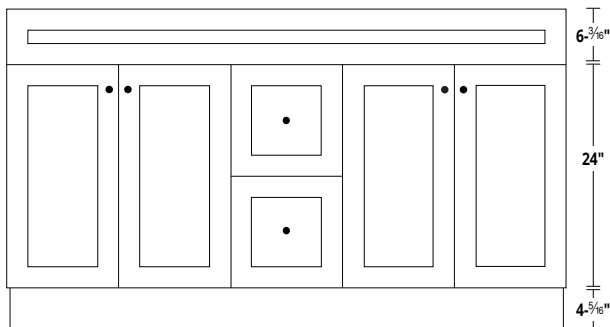
SIZE / SKU	Vanity Only PRICE
<b>60"W</b> CS-V4D6021	\$1,604.40

### COMBO PRICING

CULTURED MARBLE	PRISM QUARTZ
\$2,232.87	\$2,640.01

(\*Top Packaged separately)

## 60"W X 34.5"H | 4-DOOR / 2-DRAWER DOUBLE SINK VANITY



### STANDARD FEATURES

21" D | Notched gables | Soft close doors | Soft close metabox drawers | *Not Pre-drilled for hardware.*

SIZE / SKU	Vanity Only PRICE
<b>60"W</b> CS-V2D6021	\$1,344.00

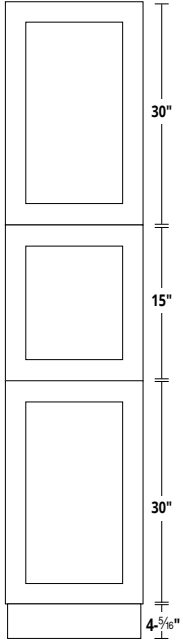
### COMBO PRICING

CULTURED MARBLE	PRISM QUARTZ
\$2,024.20	\$2,556.06

(\*Top Packaged separately)

# IMPRESSION PURE VANITIES | 80"H LINEN TOWER

## 15"W X 80"H | 3-DOOR LINEN TOWER (L/R)

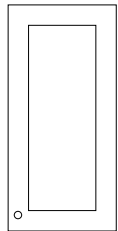


### STANDARD FEATURES

21" D | Notched gables | Soft close doors | X3 Adjustable shelves | *Not Pre-drilled for hardware.*

SIZE / SKU		PRICE
15"W	CS-VL1580 (L/R)	\$966.00

## WALL CABINET | 12"W X 25"H MIRROR | 24"W X 30"H

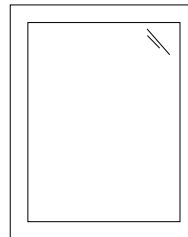


Right Hand Shown

### STANDARD FEATURES

8" D | Soft close door | *Pre-drilling available for hardware*

SIZE / SKU		PRICE
12"W	CS-WS1225-08 (L/R)	\$518.75

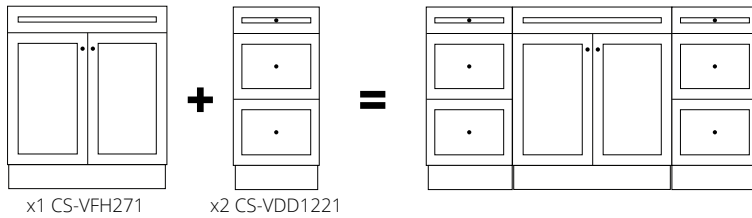


SIZE / SKU		PRICE
24"W	CS-MIRROR-2430	\$247.50

## 34.5"H CABINETSMITH MODULAR VANITY OPTIONS

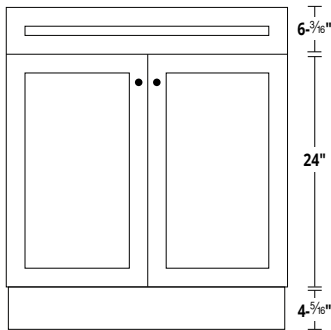
Modular Vanities act as separate cabinets which are used together to create a finished Vanity design. (\*Requires custom tops not available through Cabinetsmith)

**EXAMPLE:** I have a customer that wants to fill a 51" space and will be ordering a custom top. Using a **27" 2-Door Vanity** (CS-VFH271) paired with two **12" 3-Drawer Banks** (CS-VDB1221-3) I can make up the total space of 51" with plenty of storage and functionality.



Make up odd size spacing with Filler Strips (pg.24) & don't forget your Vanity Toe Kick (pg.23) when ordering.

### 34.5"H | 2-DOOR VANITY



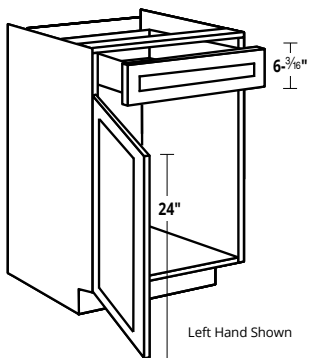
#### STANDARD FEATURES

21" D | Notched gables | Soft close doors | *Not Pre-drilled for hardware.*

SIZE / SKU	PRICE
<b>27"W</b> CS-VFH271	\$621.60
<b>33"W</b> CS-VFH3321	\$693.00

\*Additional sizes available. See page 32

### 34.5"H | 1-DOOR / 1-DRAWER MODULAR CABINET (L/R)

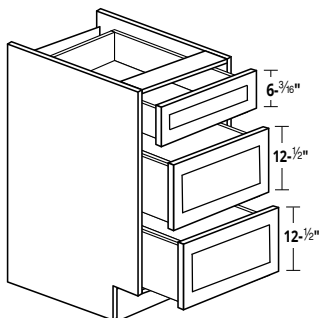


#### STANDARD FEATURES

21" D | Notched gables | Soft close door | Soft close metabox drawer | *Not Pre-drilled for hardware.*

SIZE / SKU	PRICE
<b>12"W</b> CS-VDD1221 (L/R)	\$522.90
<b>15"W</b> CS-VDD1521 (L/R)	\$558.60
<b>18"W</b> CS-VDD1821 (L/R)	\$594.30

### 34.5"H | 3-DRAWER MODULAR CABINET



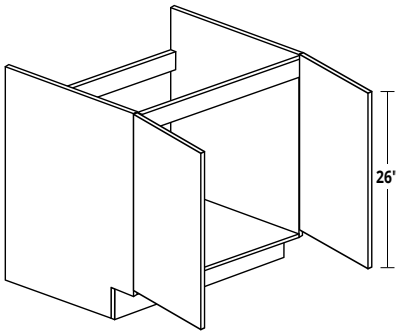
#### STANDARD FEATURES

21" D | Notched gables | Soft close metabox drawers | *Not Pre-drilled for hardware.*

SIZE / SKU	PRICE
<b>12"W</b> CS-VDB1221-3	\$861.00
<b>15"W</b> CS-VDB1521-3	\$949.20
<b>18"W</b> CS-VDB1821-3	\$984.90

# IMPRESSION PURE VANITIES | 30.5"H EASY ORDER COMBOS

## 24"W X 30.5"H | 2 FULL HEIGHT DOOR VANITY



### STANDARD FEATURES

21" D | Notched gables | Soft close doors | *Not Pre-drilled for hardware.*

SIZE / SKU	Vanity Only PRICE
24"W   CS-VF2421-30	\$493.50

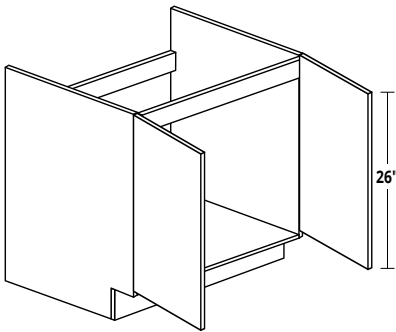
### COMBO PRICING

CULTURED MARBLE	PRISM QUARTZ
\$801.84	\$1,062.25

(\*Top Packaged separately)

NOTE: Toekick NOT included. Must order separately (pg. 23)

## 30"W X 30.5"H | 2 FULL HEIGHT DOOR VANITY



### STANDARD FEATURES

21" D | Notched gables | Soft close doors | *Not Pre-drilled for hardware.*

SIZE / SKU	Vanity Only PRICE
30"W   CS-VF3021-30	\$569.10

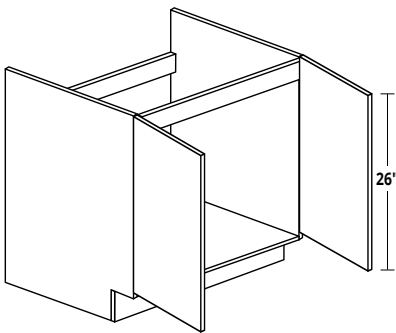
### COMBO PRICING

CULTURED MARBLE	PRISM QUARTZ
\$895.15	\$1,165.07

(\*Top Packaged separately)

NOTE: Toekick NOT included. Must order separately (pg. 23)

## 36"W X 30.5"H | 2 FULL HEIGHT DOOR VANITY



### STANDARD FEATURES

21" D | Notched gables | Soft close doors | *Not Pre-drilled for hardware.*

SIZE / SKU	Vanity Only PRICE
36"W   CS-VF3621-30	\$642.60

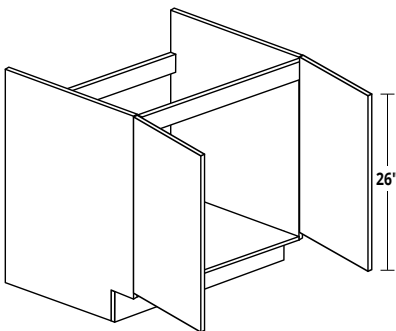
### COMBO PRICING

CULTURED MARBLE	PRISM QUARTZ
\$1,037.23	\$1,303.58

(\*Top Packaged separately)

NOTE: Toekick NOT included. Must order separately (pg. 23)

## 42"W X 30.5"H | 2 FULL HEIGHT DOOR VANITY



### STANDARD FEATURES

21" D | Notched gables | Soft close doors | *Not Pre-drilled for hardware.*

SIZE / SKU	Vanity Only PRICE
42"W   CS-VF4221-30	\$682.50

### COMBO PRICING

CULTURED MARBLE	PRISM QUARTZ
N/A	\$1,441.96

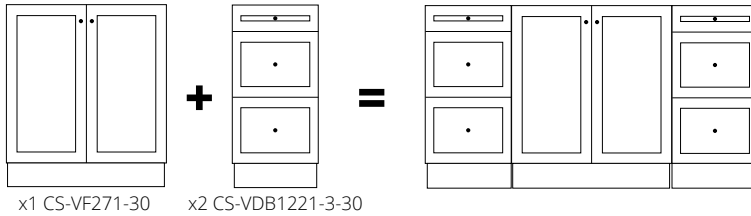
(\*Top Packaged separately)

NOTE: Toekick NOT included. Must order separately (pg. 23)

## 30.5"H CABINETSMITH MODULAR VANITY OPTIONS

Modular Vanities act as separate cabinets which are used together to create a finished Vanity design. (\*Requires custom tops not available through Cabinetsmith)

**EXAMPLE:** I have a customer that wants to fill a 51" space and will be ordering a custom top. Using a **27" 2-Door Full Height Vanity** (CS-VF271-30) paired with two **12" 3-Drawer Banks** (CS-VDB1221-3-30) I can make up the total space of 51" with plenty of storage and functionality.

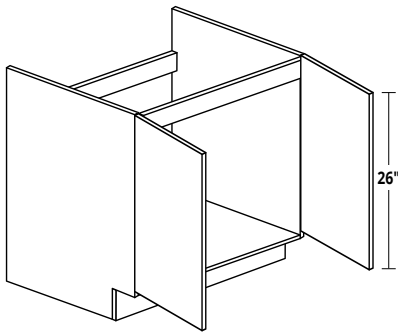


x1 CS-VF271-30

x2 CS-VDB1221-3-30

Make up odd size spacing with Filler Strips (pg.24) & don't forget your Vanity Toe Kick (pg.23) when ordering.

### 30.5"H | 2 FULL HEIGHT DOOR MODULAR VANITY



#### STANDARD FEATURES

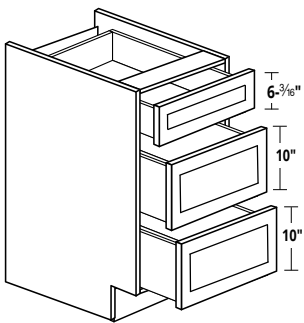
21" D | Notched gables | Soft close doors | *Not Pre-drilled for hardware.*

SIZE / SKU		PRICE
<b>27"W</b>	CS-VF2721-30	\$533.40
<b>33"W</b>	CS-VF3321-30	\$604.80

\*Additional sizes available. See page 36

**NOTE:** Toekick NOT included. Must order separately (pg. 23)

### 30.5"H | 3-DRAWER MODULAR CABINET



#### STANDARD FEATURES

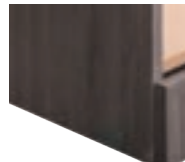
21" D | Notched gables | Soft close metabox drawers | *Not Pre-drilled for hardware.*

SIZE / SKU		PRICE
<b>12"W</b>	CS-VDB1221-3-30	\$789.60
<b>15"W</b>	CS-VDB1521-3-30	\$861.00
<b>18"W</b>	CS-VDB1821-3-30	\$896.70

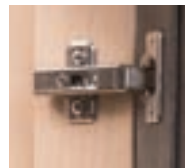
**NOTE:** Toekick NOT included. Must order separately (pg. 23)

## CLASSIC MAPLE | Construction Overview

IMPRESSION Series Vanities offer two choices in construction with **PURE** White and Classic **MAPLE**. Please note for Classic MAPLE Vanities, pricing includes decorative style toekicks. See below for full details and options.



FULL GABLE



SOFTCLOSE DOORS



SOFTCLOSE DRAWERS

### CLASSIC MAPLE | Standard Features

<b>INTERIOR COLOUR</b> <i>*Top/Bottom/Back Gables &amp; Drawers</i>	<b>MAPLE</b> <i>*White/Ant. White =White</i>
<b>INTERIOR COLOUR</b> <i>*Side Gables</i>	Colour Matched To Door
<b>EXTERIOR SIDE COLOUR</b>	Colour Matched To Door
<b>VERTICAL EDGE TAPING</b>	Colour Matched To Door
<b>HORIZONTAL EDGE TAPING</b>	Maple
<b>SOFT CLOSE HINGES</b>	✓
<b>SOFT CLOSE METABOX DRAWERS</b>	✓

### DRAWER OPTION UPGRADES

Upgrade to either Dovetail or Interio Drawers.  
 \*Each upgrade has full extension, soft close.



DOVETAIL DRAWERS



INTERIO DRAWERS

### KNOB/PULL HARDWARE OPTIONS

Classic Maple Vanities can be pre-drilled for knob or pull hardware. Also available not drilled.  
 Hardware options: Canterbury Knob / Bar Handle (128mmCC) / Zinc Square Knob / D Handle (128mmCC)  
 Finishes: Brushed Nickel, Brushed Brass, Matte Black or Oil Rubbed Bronze

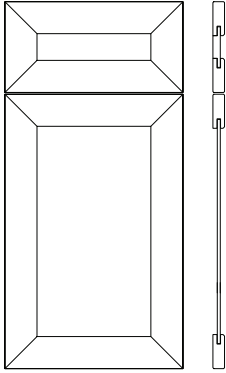




- 99% post industrial recyclable material
- High heat, scratch & stain resistant
- Permanent antibacterial surface

### SHAKER

SMOOTH, PAINT LIKE FINISHES

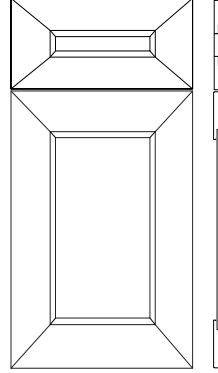


#### Specifications

- Construction – Mitre, mortise & tenon
- Rail & Stile – 2¼" wide
- Door Panel – ¼" thick
- Drawer front – 5 piece mitre
- Drawer Panel – ¼" thick
- Door Vertical grain centre panel
- Drawer Horizontal grain centre panel

### TRANSITIONAL

SMOOTH, PAINT LIKE FINISHES



#### Specifications

- Construction – Mitre, mortise & tenon
- Rail & Stile – 2½" wide
- Door panel – ¼" thick
- Drawer Front – 5 piece mitre
- Drawer Panel – ¼" thick
- Door Vertical grain centre panel
- Drawer Horizontal grain centre panel

White	NSW
Antique White	NSA
Java	NSJ
Zambukka	NSZ
Fossil	NSF
Ashen	NSQ

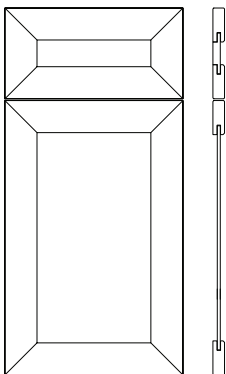
Marine Blue	NSE
Beach Glass	NSG
Black	NSK

White	NTW
Antique White	NTA
Java	NTJ
Zambukka	NTZ
Fossil	NTF
Ashen	NTQ

Marine Blue	NTE
Beach Glass	NTG
Black	NTK

### SHAKER WOODGRAIN

TRUE WOOD TEXTURES & GRAINS

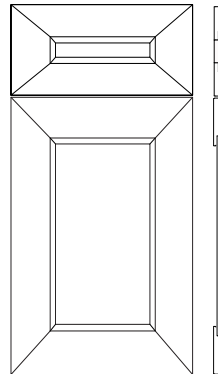


#### Specifications

- Construction – Mitre, mortise & tenon
- Rail & Stile – 2¼" wide
- Door panel – ¼" thick
- Drawer Front – 5 piece mitre
- Drawer Panel – ¼" thick
- Vertical grain centre panel
- Door Vertical grain centre panel
- Drawer Horizontal grain centre panel

### TRANSITIONAL WOODGRAIN

TRUE WOOD TEXTURES & GRAINS



#### Specifications

- Construction – Mitre, mortise & tenon
- Rail & Stile – 2½" wide
- Door panel – ¼" thick
- Drawer Front – 5 piece mitre
- Drawer Panel – ¼" thick
- Door Vertical grain centre panel
- Drawer Horizontal grain centre panel

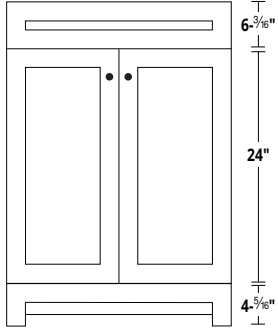
Whistler	ISW
Jasper	ISJ
Banff	ISB
Canmore	ISC

Whistler	ITW
Jasper	ITJ
Banff	ITB
Canmore	ITC

**Maintenance:** The surface of ECOSTYLE may be cleaned with a damp cloth, ordinary soap and water, or, if considered necessary, with a general-purpose household cleaner. Using a diluted vinegar solution for general purpose cleaning is suitable. Thoroughly dry the surface with a soft, cotton cloth. More stubborn dirt and greasy fingerprints may be removed with solvents such as Acetone (nail polish remover), methyl ethyl ketone (MEK) (use adequate ventilation, beware of open flame). Acidic, alkaline or abrasive cleaners should not be used because it can damage laminate surfaces. Please note - Do not use lemon juice because it is acidic.

# IMPRESSION MAPLE VANITIES | EASY ORDER COMBOS

## 24"W X 34.5"H | 2-DOOR VANITY



### STANDARD FEATURES

21" D | Full side gables | Soft close doors | *Pre-drilling available for hardware*  
 \*Decorative Toe Kick included in price. Deduct \$60 for standard/recessed Toe Kicks.

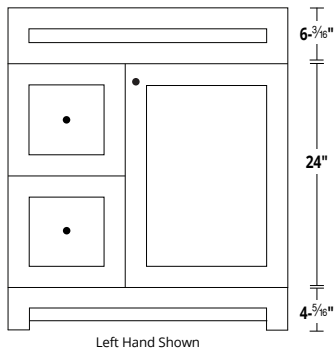
### COMBO PRICING

SIZE / SKU	Vanity Only PRICE
24"W   CS-VFHS2421-TK	\$652.50

CULTURED MARBLE	PRISM QUARTZ
\$960.84	\$1,221.25

(\*Top Packaged separately)

## 30"W X 34.5"H | 2-DOOR / 1-DRAWER VANITY (L/R)



### STANDARD FEATURES

21" D | Full side gables | Soft close door | Soft close metabox drawers | *Pre-drilling available for hardware*  
 \*Decorative Toe Kick included in price. Deduct \$60 for standard/recessed Toe Kicks.

### COMBO PRICING

SIZE / SKU	Vanity Only PRICE
30"W   CS-V2DS3021 (L/R)	\$962.50

CULTURED MARBLE	PRISM QUARTZ
\$1,288.55	\$1,558.47

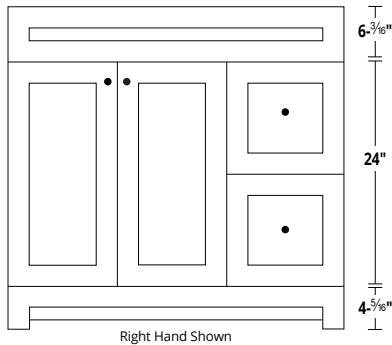
### W/DRAWER UPGRADES

CS-V2DTS3021 (Interio)	\$1,148.50
CS-V2DDS3021 (Dovetail)	\$1,272.50

\$1,474.55	\$1,744.47
\$1,598.55	\$1,868.47

(\*Top Packaged separately)

## 36"W X 34.5"H | 2-DOOR / 2-DRAWER VANITY (L/R)



### STANDARD FEATURES

21" D | Full side gables | Soft close door | Soft close metabox drawers | *Pre-drilling available for hardware*  
 \*Decorative Toe Kick included in price. Deduct \$60 for standard/recessed Toe Kicks.

### COMBO PRICING

SIZE / SKU	Vanity Only PRICE
36"W   CS-V2DS3621 (L/R)	\$1,045.00

CULTURED MARBLE	PRISM QUARTZ
\$1,439.63	\$1,705.98

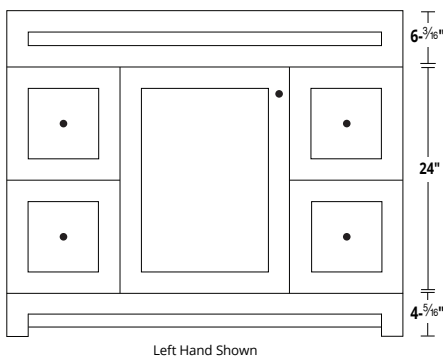
### W/DRAWER UPGRADES

CS-V2DTS3621 (Interio)	\$1,231.00
CS-V2DDS3621 (Dovetail)	\$1,355.00

\$1,625.63	\$1,891.98
\$1,746.63	\$2,015.98

(\*Top Packaged separately)

## 42"W X 34.5"H | 1-DOOR / 4-DRAWER VANITY (L/R)



### STANDARD FEATURES

21" D | Full side gables | Soft close door | Soft close metabox drawers | *Pre-drilling available for hardware*  
 \*Decorative Toe Kick included in price. Deduct \$60 for standard/recessed Toe Kicks.

### COMBO PRICING

SIZE / SKU	Vanity Only PRICE
42"W   CS-V4DS4221 (L/R)	\$1,347.50

CULTURED MARBLE	PRISM QUARTZ
N/A	\$2,106.96

### W/DRAWER UPGRADES

CS-V4DTS4221 (Interio)	\$1,719.50
CS-V4DDS4221 (Dovetail)	\$1,967.50

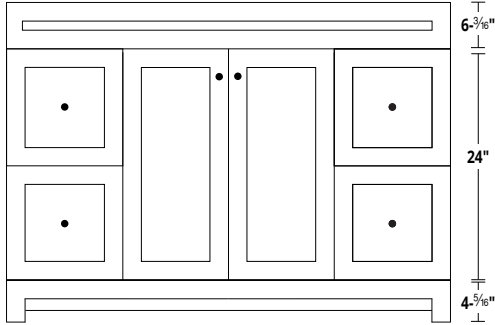
N/A	\$2,478.96
N/A	\$2,726.96

(\*Top Packaged separately)



# IMPRESSION MAPLE VANITIES | EASY ORDER COMBOS

## 48"W X 34.5"H | 2-DOOR / 4-DRAWER VANITY



### STANDARD FEATURES

21" D | Full side gables | Soft close doors | Soft close metabox drawers | *Pre-drilling available for hardware*  
 \*Decorative Toe Kick included in price. Deduct \$60 for standard/recessed Toe Kicks.

### COMBO PRICING

SIZE / SKU	Vanity Only PRICE
48"W   CS-V4DS4821 (L/R)	\$1,417.50

CULTURED MARBLE	PRISM QUARTZ
\$1,920.27	\$2,113.00

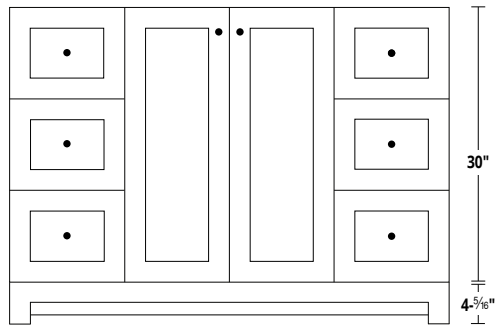
### W/DRAWER UPGRADES

CS-V4DTS4821 (Interio)	\$1,789.50
CS-V4DDS4821 (Dovetail)	\$2,547.50

\$2,292.27	\$2,485.00
\$3,050.27	\$3,243.00

(\*Top Packaged separately)

## 48"W X 34.5"H | 2-DOOR / 6-DRAWER VANITY



### STANDARD FEATURES

21" D | Full side gables | Soft close doors | Soft close metabox drawers | *Pre-drilling available for hardware*  
 \*Decorative Toe Kick included in price. Deduct \$60 for standard/recessed Toe Kicks.

### COMBO PRICING

SIZE / SKU	Vanity Only PRICE
48"W   CS-V6DS4821 (L/R)	\$1,617.50

CULTURED MARBLE	PRISM QUARTZ
\$2,120.27	\$2,313.00

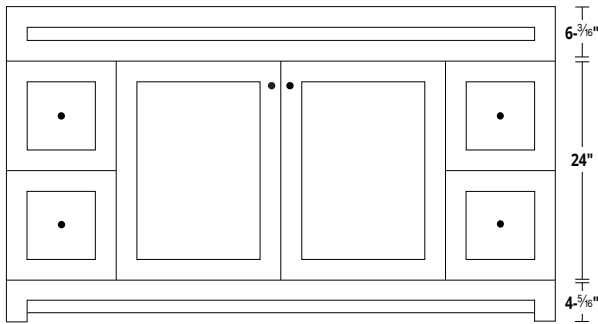
### W/DRAWER UPGRADES

CS-V6DTS4821 (Interio)	\$2,175.50
CS-V6DDS4821 (Dovetail)	\$2,547.50

\$2,678.27	\$2,871.00
\$3,050.27	\$3,243.00

(\*Top Packaged separately)

## 60"W X 34.5"H | 2-DOOR / 4-DRAWER SINGLE SINK VANITY



### STANDARD FEATURES

21" D | Full side gables | Soft close doors | Soft close metabox drawers | *Pre-drilling available for hardware*  
 \*Decorative Toe Kick included in price. Deduct \$60 for standard/recessed Toe Kicks.

### COMBO PRICING

SIZE / SKU	Vanity Only PRICE
60"W   CS-V4DS6021	\$1,752.50

CULTURED MARBLE	PRISM QUARTZ
\$2,380.97	\$2,788.11

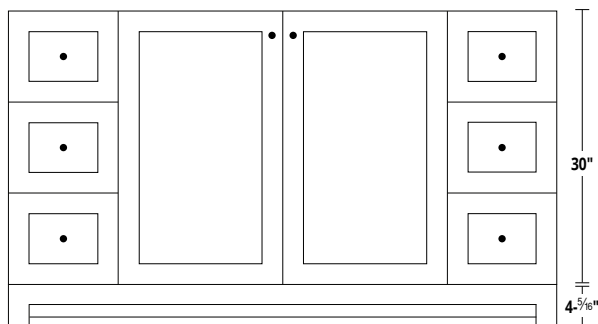
### W/DRAWER UPGRADES

CS-V4DTS6021 (Interio)	\$2,124.50
CS-V4DDS6021 (Dovetail)	\$2,372.50

\$2,752.97	\$3,160.11
\$3,408.11	\$3,000.97

(\*Top Packaged separately)

## 60"W X 34.5"H | 2-DOOR / 6-DRAWER SINGLE SINK VANITY



### STANDARD FEATURES

21" D | Full side gables | Soft close doors | Soft close metabox drawers | *Pre-drilling available for hardware*  
 \*Decorative Toe Kick included in price. Deduct \$60 for standard/recessed Toe Kicks.

### COMBO PRICING

SIZE / SKU	Vanity Only PRICE
60"W   CS-V6DS6021	\$1,952.50

CULTURED MARBLE	PRISM QUARTZ
\$2,988.11	\$2,580.97

### W/DRAWER UPGRADES

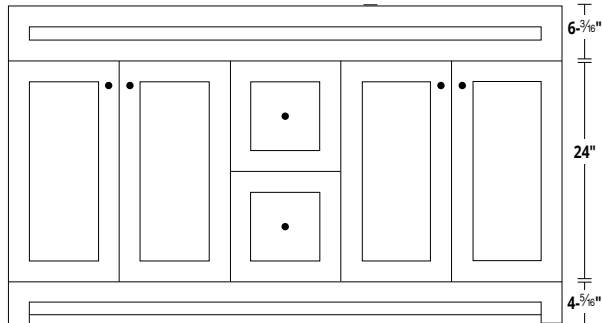
CS-V6DTS6021 (Interio)	\$2,510.50
CS-V6DDS6021 (Dovetail)	\$2,882.50

\$2,138.97	\$2,546.11
\$3,510.97	\$3,918.11

(\*Top Packaged separately)

# IMPRESSION MAPLE VANITIES | EASY ORDER COMBOS

## 60"W X 34.5"H | 4-DOOR / 2-DRAWER DOUBLE SINK VANITY



### STANDARD FEATURES

21" D | Full side gables | Soft close doors | Soft close metabox drawers | *Pre-drilling available for hardware*  
 \*Decorative Toe Kick included in price. Deduct \$60 for standard/recessed Toe Kicks.

### COMBO PRICING

SIZE / SKU	Vanity Only PRICE
60"W   CS-V2DS6021	\$1,480.00

CULTURED MARBLE	PRISM QUARTZ
\$2,160.20	\$2,692.06

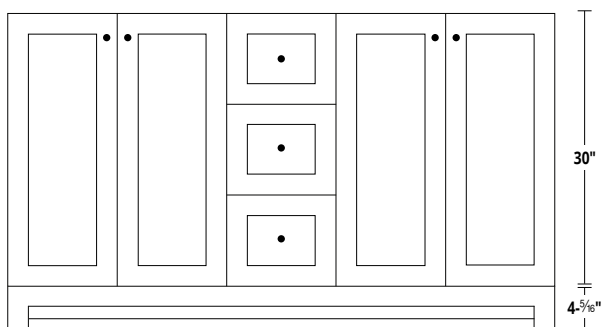
### W/DRAWER UPGRADES

CS-V2DTS6021 (Intero)	\$1,666.00
CS-V2DDS6021 (Dovetail)	\$1,790.00

\$2,346.20	\$2,878.06
\$2,470.20	\$3,002.06

(\*Top Packaged separately)

## 60"W X 34.5"H | 4-DOOR / 3-DRAWER DOUBLE SINK VANITY



### STANDARD FEATURES

21" D | Full side gables | Soft close doors | Soft close metabox drawers | *Pre-drilling available for hardware*  
 \*Decorative Toe Kick included in price. Deduct \$60 for standard/recessed Toe Kicks.

### COMBO PRICING

SIZE / SKU	Vanity Only PRICE
60"W   CS-V3DS6021	\$1,580.00

CULTURED MARBLE	PRISM QUARTZ
\$2,260.20	\$2,792.06

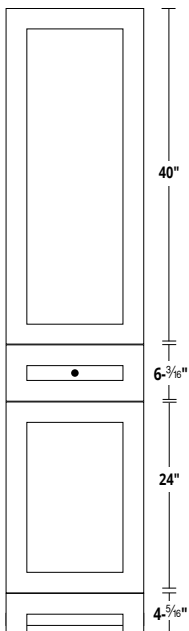
### W/DRAWER UPGRADES

CS-V3DTS6021 (Intero)	\$1,859.00
CS-V3DDS6021 (Dovetail)	\$2,045.00

\$2,539.20	\$3,071.06
\$2,725.20	\$3,257.06

(\*Top Packaged separately)

## 15"W X 75"H | 2-DOOR / 1-DRAWER LINEN TOWER (L/R)



### STANDARD FEATURES

18" D | Full side gables | Soft close doors | Soft close metabox drawer | X3 Adjustable shelf | *Pre-drilling available for hardware*  
 \*Decorative Toe Kick included in price. Deduct \$60 for standard/recessed Toe Kicks.

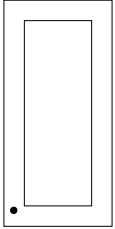
SIZE / SKU	PRICE
15"W   CS-VL1DS1575 (L/R)	\$1,102.50

### W/DRAWER UPGRADES

CS-VL1DTS1575 (Intero)	\$1,195.50
CS-VL1DDS1575 (Dovetail)	\$1,257.50

# IMPRESSION MAPLE VANITIES | EASY ORDER COMBOS

## WALL CABINET | 12"W X 25"H MIRROR | 24"W X 30"H

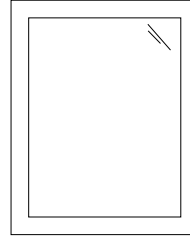


Right Hand Shown

### STANDARD FEATURES

8" D | Soft close door | *Pre-drilling available for hardware*

SIZE / SKU		PRICE
12"W	CS-WS1225-08 (L/R)	\$518.75



SIZE / SKU		PRICE
24"W	CS-MIRROR-2430	\$247.50

# VANITY TOP OFFERING | CULTURED MARBLE & PRISM QUARTZ

## CONTEMPO TOP | WHITE CULTURED MARBLE

Integrated Square Bowl | Built-in Overflow | Pre-drilled for 4" faucets | 22" Deep

**SIZE OPTIONS:** 25" | 31" | 37" | 49" | 61" (Single Sink) | 61" (Double Sink)

SIZE / SKU	PRICE
25" MO-2522COSW	\$308.34
31" MO-3122COSW	\$326.05
37" MO-3722COSW	\$394.63
49" MO-4922COSW	\$502.77
61" MO-6122COSW (SGL Sink)	\$628.47
61" MO-6122COSW-DBL (DBL Sink)	\$680.20



## PRISM QUARTZ TOP | WHITE CARRARA

Rectangular Undermount Porcelain Bowl With Eased Edge | Pre-drilled for Single Faucet | 22-1/4" Deep | 2cm Thick | Backsplash Included

**SIZE OPTIONS:** 25" | 31" | 37" | 43" | 49" | 61" (Single Sink) | 61" (Double Sink)

SIZE / SKU	PRICE
25" CT-Q1007-2522-RU-1	\$568.75
31" CT-Q1007-3122-RU-1	\$595.97
37" CT-Q1007-3722-RU-1	\$660.98
43" CT-Q1007-4322-RU-1	\$759.46
49" CT-Q1007-4922-RU-1	\$695.50
61" MCT-Q1007-6122-RU-1 (SGL Sink)	\$1,035.61
61" CT-Q1007-6122D12-RU1 (DBL Sink)	\$1,212.06



QUARTZ SIDE SPLASH	PRICE
21"L x 4 1/16"H x 5/8"W sold separately.	\$125.00

## PRISM QUARTZ TOP | PORCELAIN WHITE

Rectangular Undermount Porcelain Bowl With Eased Edge | Pre-drilled for Single Faucet | 22-1/4" Deep | 2cm Thick | Backsplash Included

**SIZE OPTIONS:** 25" | 31" | 37" | 43" | 49" | 61" (Single Sink) | 61" (Double Sink)

SIZE / SKU	PRICE
25" CT-Q3007-2522-RU-1	\$568.75
31" CT-Q3007-3122-RU-1	\$595.97
37" CT-Q3007-3722-RU-1	\$660.98
43" CT-Q3007-4322-RU-1	\$759.46
49" CT-Q3007-4922-RU-1	\$695.50
61" MCT-Q3007-6122-RU-1 (SGL Sink)	\$1,035.61
61" CT-Q3007-6122D12-RU1 (DBL Sink)	\$1,212.06



QUARTZ SIDE SPLASH	PRICE
21"L x 4 1/16"H x 5/8"W sold separately.	\$125.00

Cabinetsmith   
style • quality • affordability

# IMPRESSION

series

## **LAUNDRY SPEC & PRICING**

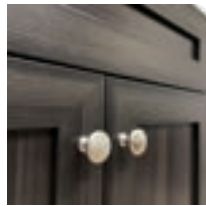
**PRICING SHOWN IN LIST. MX.48  
NO DOOR MULTIPLIER REQUIRED WHEN ORDERING.**

## LAUNDRY TUB | Construction Overview

IMPRESSION Series Laundry Tub combos are built with 2 soft-close doors drilled for knob hardware (Brushed Nickel knobs) and a false front, paired with an upgraded Vector™ fiberglass top. See below for full details and options.

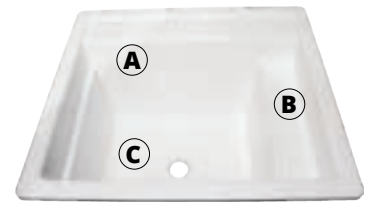


Combo dimensions: 25" W x 22" D x 35" H  
\*Shown in Shaker Zambukka (NSZ)



### LAUNDRY | 25"W x 22"D x 35"H Standard Features

- Shaker or Transitional Impression Door.
- 2 softclose doors & a decorative false front.
- Maple interior with colour matched sides.
- 2 Brushed nickel knobs (Pre-drilled).
- Vector® 45 litre fiberglass top with recessed shelf.
- Packaged separately.



**VECTOR** | Vector™ fiberglass Multi-Task sink that's made of premium compressed molded fiberglass blended with special resins for extra strength and durability. This creates a semi-gloss, scratch & stain-resistant surface.

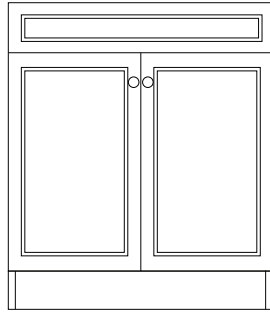
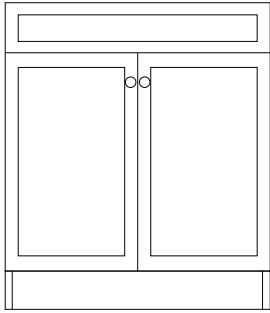
- Ⓐ 12 gallon capacity, deep 12-3/4"D bowl
- Ⓑ Recessed, self draining shelf, 3.25" below rim, 3.125" W x 15.5"L. Ideal for soap dispensers, spray bottles, sponges, etc.
- Ⓒ Includes 1-1/2" drain assembly with stopper that connects to standard 1-1/2" P or S trap.

**Multi-Task sinks meet or exceed performance requirements as listed:**

- International Association of Plumbing and Mechanical Officials (IAPMO)® Listed
- Warnock Hersey® (Canada) Listed—CSA #B45.0 and #B45.5
- American National Standards Institute (ANSI)—Specification Z 124-2011

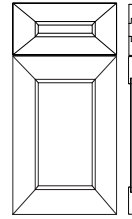
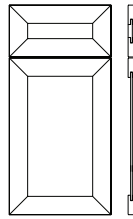
# IMPRESSION LAUNDRY TUB | CABINET COMBO

25"W X 35"H X 22"D | LAUNDRY TUB CABINET



## STANDARD FEATURES

22" D | Full side gables | Soft close doors | Predrilled for hardware (Included)



\*Any door style in IMPRESSION Series is available as a Laundry Combo. Include the door code at the end of the SKU when ordering.

SIZE / SKU		PRICE
25"W	CS-ENS-LFH2421-	\$956.25

WHISTLER



JASPER



BANFF



CANMORE



JAVA



ZAMBUKKA



ASHEN



FOSSIL



WHITE



ANT. WHITE



SHAKER	ISW
TRANS.	ITW

SHAKER	ISJ
TRANS.	ITJ

SHAKER	ISB
TRANS.	ITB

SHAKER	ISC
TRANS.	ITC

SHAKER	NSJ
TRANS.	NTJ

SHAKER	NSZ
TRANS.	NTZ

SHAKER	NSQ
TRANS.	NTQ

SHAKER	NSF
TRANS.	NTF

SHAKER	NSW
TRANS.	NTW

SHAKER	NSA
TRANS.	NTA

MARINE BLUE



BEACH GLASS



BLACK



SHAKER	ISE
TRANS.	ITE

SHAKER	ISG
TRANS.	ITG

SHAKER	ISK
TRANS.	ITK

## ADDITIONAL CABINERY OPTIONS AVAILABLE

You can create an entire Laundry room for your customers using Cabinetsmith cabinetry. Base, wall and tall cabinets are available as add-on options and upgrades to complete your living space.



# CABINETSMITH SERIES COMPARISON REFERENCE CHART

		<b>SELECT SERIES</b>	<b>IMPRESSION PURE WHITE</b>	<b>IMPRESSION CLASSIC MAPLE</b>
<b>KITCHENS</b>	<b>DOOR MATERIAL</b>	Thermofoil & Melamine 1-piece doors	EcoStyle 5-pc doors	EcoStyle 5-pc doors
	<b>INTERIOR</b>	White	White	Maple
	<b>EXTERIOR</b>	White	White	Melamine Colour matched to door
	<b>VERTICAL EDGETAPE</b>	White	Colour matched to door *See chart on pg. 4	Colour matched to door
	<b>HORIZONTAL EDGETAPE</b>	White	White	Maple
	<b>OVERLAYS REQUIRED?</b>	Yes	Yes	No
	<b>WALL CABINET HEIGHTS</b>	30"H / 40"H *36"H in SSW / SSD / SSL / SSS / SSH / SMB / SMI / SMH / SMW Only	30"H / 36"H / 40"H	30"H / 36"H / 40"H
	<b>TOP DRAWER HEIGHT</b>	5"H	6-3/16"H	6-3/16"H
	<b>SOFT CLOSE HINGES</b>	INCLUDED as standard	INCLUDED as standard	INCLUDED as standard
	<b>MATCHING INTERIOR WALL CABINETS (Prepped for Glass)</b>	Available as upcharge	Available as upcharge	Available as upcharge
	<b>INTERO DRAWERS (Full extension soft close)</b>	Available as upcharge	Available as upcharge	Available as upcharge
	<b>DOVETAIL DRAWERS</b>	N/A	Available as upcharge	Available as upcharge
<b>DRAWER BANKS</b>	Standard Select drawer options	Standard drawer options with 2-Drawer & 4-Drawer	Standard drawer options with 2-Drawer & 4-Drawer	

<b>VANITIES</b>	<b>DOOR MATERIAL</b>	Thermofoil & Melamine 1-piece doors	EcoStyle 5-pc doors	EcoStyle 5-pc doors
	<b>INTERIOR</b>	Gable Colour matched to door, white bottoms/ backs/rest of interior	Gable Colour matched to door, white bottoms/ backs/rest of interior	Gable Colour matched to door, White rest of interior for WH & AW, Maple interior for rest of doors
	<b>EXTERIOR</b>	Colour matched to door	Colour matched to door	Colour matched to door
	<b>VERTICAL EDGETAPE</b>	Colour matched to door	Colour matched to door	Colour matched to door
	<b>HORIZONTAL EDGETAPE</b>	White	White	White rest of interior for WH & AW, Maple interior for rest of doors
	<b>OVERLAYS REQUIRED?</b>	No	No	No
	<b>GABLE STYLE</b>	Notched	Notched	Full Gable. Non-notched
	<b>TOP DRAWER HEIGHT</b>	5"H	6-3/16"H	6-3/16"H
	<b>SOFT CLOSE</b>	INCLUDED as standard	INCLUDED as standard	INCLUDED as standard
	<b>HARDWARE</b>	Hardware not included	Hardware not included	Included as Standard
	<b>INTERO DRAWERS (Full extension soft close)</b>	N/A	N/A	Available as upcharge
	<b>DOVETAIL DRAWERS</b>	N/A	N/A	Available as upcharge

**FOR CURRENT LEAD TIME, GO TO [WWW.CABINETSMITH.CA/LEAD-TIMES-FOR-NEW-ORDERS](http://WWW.CABINETSMITH.CA/LEAD-TIMES-FOR-NEW-ORDERS)**



Cabinetsmith   
style • quality • affordability

# IMPRESSION

series

## **HARDWARE SPEC & PRICING**

**PRICING SHOWN IN LIST. | MX.48**

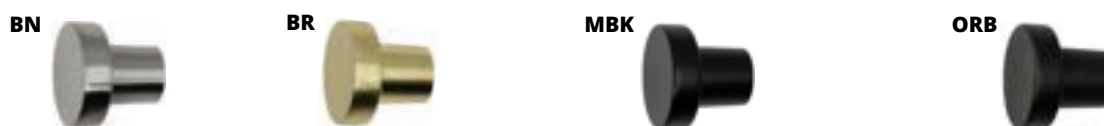
# CABINETSMITH HARDWARE | KNOBS

## CANTERBURY KNOB |



<b>SKU</b>	KH-40044-BN	KH-40044-BR	KH-40044-MBK	KH-40044-ORB
<b>FINISH</b>	Brushed Nickel	Brushed Brass	Matte Black	Oil Rubbed Bronze
<b>Dimensions</b>	N/A			
<b>Base Dimensions</b>	N/A			
<b>LIST PRICE</b>	\$6.00			

## FLAT HEAD KNOB |



<b>SKU</b>	KH-40658-BN	KH-40658-BR	KH-40658-MBK	KH-40658-ORB
<b>FINISH</b>	Brushed Nickel	Brushed Brass	Matte Black	Oil Rubbed Bronze
<b>Dimensions</b>	33mm (L), 33mm (W), 28mm (H)			
<b>Base Dimensions</b>	18mm x 18mm			
<b>LIST PRICE</b>	\$9.00			

## CIRCLE DECORATIVE KNOB |



<b>SKU</b>	KH-40778-BN	KH-40778-BR	KH-40778-MBK	KH-40778-ORB
<b>FINISH</b>	Brushed Nickel	Brushed Brass	Matte Black	Oil Rubbed Bronze
<b>Dimensions</b>	30mm (L), 30mm (W), 24mm (H)			
<b>Base Dimensions</b>	17mm			
<b>LIST PRICE</b>	\$9.00			

## GLASS KNOB |



<b>SKU</b>	KH-GLASSKNOB-BN	KH-GLASSKNOB-BR	KH-GLASSKNOB-MBK	KH-GLASSKNOB-ORB
<b>FINISH</b>	Brushed Nickel	Brushed Brass	Matte Black	Oil Rubbed Bronze
<b>Dimensions</b>	6mm (Screw Stem), 37mm (DIA)			
<b>Base Dimensions</b>	23mm			
<b>LIST PRICE</b>	\$15.00			

# CABINETSMITH HARDWARE | KNOBS

## ZINC KNOB |



<b>SKU</b>	KH-40745- <b>BN</b>	KH-40745- <b>BR</b>	KH-40745- <b>MBK</b>	KH-40745- <b>ORB</b>
<b>FINISH</b>	Brushed Nickel	Brushed Brass	Matte Black	Oil Rubbed Bronze
<b>Dimensions</b>	30mm (L), 30mm (W), 25mm (H)			
<b>Base Dimensions</b>	20mm x 20mm			
<b>LIST PRICE</b>	\$9.00			

## RECTANGLE KNOB |



<b>SKU</b>	KH-40783- <b>BN</b>	KH-40783- <b>BR</b>	KH-40783- <b>MBK</b>	KH-40783- <b>ORB</b>
<b>FINISH</b>	Brushed Nickel	Brushed Brass	Matte Black	Oil Rubbed Bronze
<b>Dimensions</b>	34mm (L), 34mm (W), 24mm (H)			
<b>Base Dimensions</b>	19mm x 19mm			
<b>LIST PRICE</b>	\$15.00			

## SQUARE KNOB |



<b>SKU</b>	KH-40200- <b>BN</b>	KH-40200- <b>BR</b>	KH-40200- <b>MBK</b>	KH-40200- <b>ORB</b>
<b>FINISH</b>	Brushed Nickel	Brushed Brass	Matte Black	Oil Rubbed Bronze
<b>Dimensions</b>	30mm (L), 30mm (W), 20mm (H)			
<b>Base Dimensions</b>	18mm x 18mm			
<b>LIST PRICE</b>	\$9.00			

## ANTIQUE ENGLISH KNOB |



<b>SKU</b>	KH-40777- <b>BN</b>	KH-40777- <b>BR</b>	KH-40777- <b>MBK</b>	KH-40777- <b>ORB</b>
<b>FINISH</b>	Brushed Nickel	Brushed Brass	Matte Black	Oil Rubbed Bronze
<b>Dimensions</b>	67mm (L), 19mm (W), 22mm (H)			
<b>Base Dimensions</b>	32mm x 8mm			
<b>LIST PRICE</b>	\$9.00			

# CABINETSMITH HARDWARE | PULLS

## 76 BAR HANDLE |



<b>SKU</b>	KH-50037-12076-BN	KH-50037-12076-BR	KH-50037-12076-MBK	KH-50037-12076-ORB
<b>FINISH</b>	Brushed Nickel	Brushed Brass	Matte Black	Oil Rubbed Bronze
<b>Dimensions</b>	76mm (CC), 116mm (Overall), 32mm (H), 12mm (DIA)			
<b>LIST PRICE</b>	\$9.00			

## 96 BAR HANDLE |



<b>SKU</b>	KH-50037-12096-BN	KH-50037-12096-BR	KH-50037-12096-MBK	KH-50037-12096-ORB
<b>FINISH</b>	Brushed Nickel	Brushed Brass	Matte Black	Oil Rubbed Bronze
<b>Dimensions</b>	96mm (CC), 136mm (Overall), 32mm (H), 12mm (DIA)			
<b>LIST PRICE</b>	\$9.00			

## 128 BAR HANDLE |



<b>SKU</b>	KH-50037-12128-BN	KH-50037-12128-BR	KH-50037-12128-MBK	KH-50037-12128-ORB
<b>FINISH</b>	Brushed Nickel	Brushed Brass	Matte Black	Oil Rubbed Bronze
<b>Dimensions</b>	128mm (CC), 168mm (Overall), 32mm (H), 12mm (DIA)			
<b>LIST PRICE</b>	\$9.00			

## 160 BAR HANDLE |



<b>SKU</b>	KH-50037-12160-BN	KH-50037-12160-BR	KH-50037-12160-MBK	KH-50037-12160-ORB
<b>FINISH</b>	Brushed Nickel	Brushed Brass	Matte Black	Oil Rubbed Bronze
<b>Dimensions</b>	160mm (CC), 200mm (Overall), 32mm (H), 12mm (DIA)			
<b>LIST PRICE</b>	\$9.00			

# CABINETSMITH HARDWARE | PULLS

## T BAR PULL |



<b>SKU</b>	KH-50937-40X32-BN	KH-50937-40X32-BR	KH-50937-40X32-MBK	KH-50937-40X32-ORB
<b>FINISH</b>	Brushed Nickel	Brushed Brass	Matte Black	Oil Rubbed Bronze
<b>Dimensions</b>	40mm (L), 32mm (H), 12mm (DIA)			
<b>LIST PRICE</b>	\$9.00			

## 128 D HANDLE |



<b>SKU</b>	KH-45248-128-BN	KH-45248-128-BR	KH-45248-128-MBK	KH-45248-128-ORB
<b>FINISH</b>	Brushed Nickel	Brushed Brass	Matte Black	Oil Rubbed Bronze
<b>Dimensions</b>	128mm (CC), 137mm (L), 28mm (H), 9mm (W)			
<b>LIST PRICE</b>	\$15.00			

## 160 D HANDLE |



<b>SKU</b>	KH-45248-160-BN	KH-45248-160-BR	KH-45248-160-MBK	KH-45248-160-ORB
<b>FINISH</b>	Brushed Nickel	Brushed Brass	Matte Black	Oil Rubbed Bronze
<b>Dimensions</b>	160mm (CC), 168mm (L), 28mm (H), 9mm (W)			
<b>LIST PRICE</b>	\$15.00			

## LARGE D HANDLE |



<b>SKU</b>	KH-45344-160-BN	KH-45344-160-BR	KH-45344-160-MBK	KH-45344-160-ORB
<b>FINISH</b>	Brushed Nickel	Brushed Brass	Matte Black	Oil Rubbed Bronze
<b>Dimensions</b>	160mm (CC), 168mm (L), 31mm (H), 21mm (W)			
<b>LIST PRICE</b>	\$15.00			

### TERMS

Cabinetsmith's terms are NET 30 DAYS to accounts with approved credit. All new accounts are COD for first 30 days. Application for credit must include bank and trade references.  
A 1.5% monthly finance charge will be calculated on ALL OVERDUE ACCOUNTS.

### RETURNS AND CREDIT

There will be no restocking charge for damaged goods, shipping errors, order desk errors or manufacturer defects. We will issue credit notes upon receipt and verification of goods. Call our order desk for a Return Authorization and we will arrange to pick it up, no charge. NOTE: Pictures may be required in the event of defects/damages before a claim can be authorized.

### STOCK

Returns for any other reason for stock items must be in original condition and packaging. A Minimum 20% restocking fee will be applied (minimum charge \$5). This fee is to cover initial order processing, freight out, invoicing, return processing, freight back, handling, and credit issuing. For areas not serviced by CanSave's fleet, dealer is responsible for return freight. Please call the Order Desk or your Sales Representative to discuss your request.

### SPECIAL ORDERS

All kitchen cabinets & vanities are considered special order, as they are "made to order". Please be sure to OBTAIN A DEPOSIT from YOUR customer before placing a special order! Special orders can NOT be returned or cancelled once the manufacturer has processed them! Your purchase order will be considered a binding contract. LEAD TIMES quoted for special orders are approximate. Special orders can NOT be cancelled in the event of an extended lead time. Please be certain that your customers understand this before you place a special order. RETURN AUTHORIZATIONS are valid for 30 days from date of issue. Product not returned within 30 days is dealer's responsibility.  
OUR DRIVERS ARE UNABLE TO ACCEPT ANY RETURN WITHOUT PROPER PAPERWORK. CanSave is not responsible for any product that comes back without proper authorization.

### CLAIMS

DAMAGE CLAIMS, or claims for MISSING PRODUCT must be made within 48 hours of delivery. Pictures may be required in the event of defects/damages before a claim can be authorized. CONCEALED DAMAGE must be reported within 7 days, and product MUST be returned in original undamaged packaging. Claims for credits due to PRICING ERRORS must be made within 60 days of invoicing.

### WARRANTIES

We will replace any goods and take care of warranty claims for you, as long as it falls within the manufacturer's warranty guidelines. The manufacturers' word is final, and Cabinetsmith does not offer extended or additional warranty coverage. Cabinetsmith does not cover labour charges.

*For complete warranty details, please refer to  
<https://cabinetsmith.ca/wp-content/uploads/2016/10/Cabinetsmith-Warranty-Eng.pdf>*

**All Warranties are to be submitted online under dealer portal @ [www.cabinetsmith.ca/warranty-requests](http://www.cabinetsmith.ca/warranty-requests)**

## **CABINETSMITH® 10 YEAR WORKMANSHIP AND WARRANTY**

**Cabinetsmith® Cabinetry warrants to the original consumer purchaser that our Kitchen and Vanity cabinetry will be free from defects in material and workmanship under normal use for a period of ten (10) years from date of purchase. Cabinetsmith® may elect to replace any defective Cabinetsmith® product covered by our Warranty.**

If Cabinetsmith® is liable under the warranty claim, they will arrange replacement of the part required due to defective workmanship. Cabinetsmith will not be responsible for any service/installation charges related to replacement parts.

If a warranted product is no longer available, the manufacturer, at its absolute discretion, may replace the warranted product with substituted item which would be as close as possible in dimension / function and colour. The manufacturer however, cannot guarantee that the replacement item will be exactly the same in all aspects when compared with the original item. Should the material no longer be available to Cabinetsmith by our suppliers, Cabinetsmith will only credit the cost of the item being claimed under warranty.

### **EXCLUSIONS**

This warranty does not apply in relation to any damage to the warranted products caused by the following:

- Improper installation of the cabinets and related accessories
- Wear and tear suffered through normal use (including scratches and cuts) or damage caused by impacts or accidents;
- Use of inappropriate chemicals;
- Damages caused by wet articles such as dishes or clothes placed in your cabinets or on countertop joints;
- Damages caused by attaching or installing fixture/units inside or outside of your cabinet doors exceeding 3 lbs.;
- Damages caused by overloading your drawers or placing articles above the level of your drawer;
- Damages caused by placing any unnecessary pressure on your cabinet doors by tugging / pulling open / standing on open drawers;
- Damages caused by extreme temperatures changes and/or extreme humidity changes. Cabinets are to be installed inside a house/dwelling that is heated/cooled within normal ranges.
- Insufficient or improper care (including inappropriate use of cleaning products);
- Cabinet dimensions are subject to a +/- 2mm tolerance per cabinet
- Fading, discolouration or damage caused by exposure to intensive or excessive light including ultra violet light, moisture or heat (be careful with kettles, toasters and ranges which should be equipped with a range hood);
- Alterations, modifications or use of the Warranted Products which is beyond or inconsistent with the supplied product instructions and which has not been authorized by Cabinetsmith®;
- Thermofoil delamination due to over exposure to heat or water; OR
- The natural aging or darkening of wood color, the inherent growth characteristics of, or variation in wood. (We believe this is the beauty of nature and not a defect. Every attempt has been made to ensure that the colours of the door finishes in the Cabinetsmith® website are as close to the actual finishes as possible. However, please note that due to the limitations of the computer screen, these colours are meant as representations only and that actual finishes may vary from what is on the screen).



# **Specification Guide & Price List**

**Pub. NOV.2024**  
Prices subject to change