



## HONEST CANADIAN MADE CABINETRY



48" | Transitional Marine Blue | Quartz Carrara White | Bar Pull in Brass | PURE Series

PUB APR. 2026

# BATH CABINETRY

*Inspiration*



36" | Metro Banff with linen tower | Contempo Cultured White Marble | Bar Pull in Matte Black | Select Series

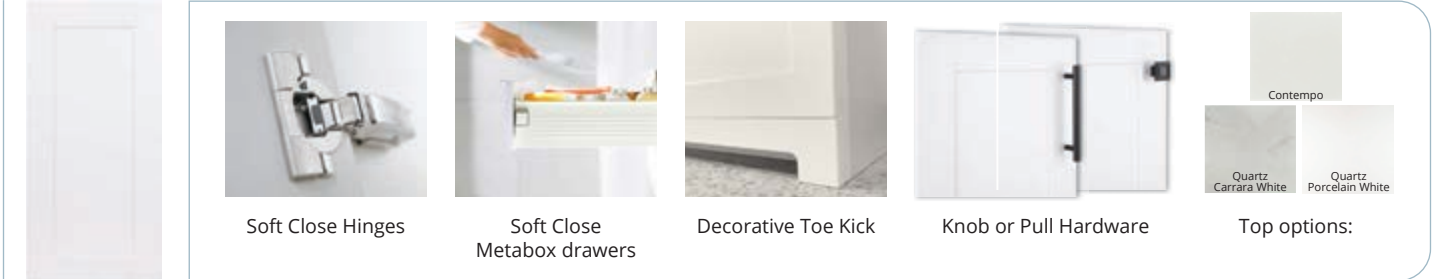


48" | Huntsville Shaker Charcoal | Quartz Carrara White | D Handle in Brushed Nickel | Select Series

# SELECT PLUS+ VANITY COMBOS

Our selection of Select Plus+ Vanity Combos are sure to provide you with great value and aesthetic. With our Huntsville thermofoil white doors, a variety of knob and pull options, as well as many different configurations to finish the look of any bathroom.

## Standard with:



**SELECT** plus+  
series

# Cabinet Configurations

See below for our most popular Huntsville White vanity configurations. For our full lineup and more details please visit our website at [www.cabinetsmith.ca](http://www.cabinetsmith.ca)

24"



30" L/R  
(Left Handed shown)



36" L/R  
(Right Handed shown)



48"



48"



60" Single Bowl



60" Single Bowl



60" Double Bowl



60" Double Bowl



# SELECT series

Select series is comprised of shaker and slab styling across an assortment of fashionable colour options. Our one-piece thermofoil doors provide the look and durability that's low maintenance and easy to clean. Browse our styles and configurations below.

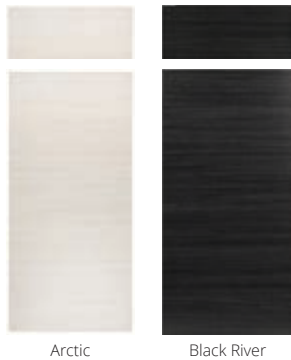
- Available in 15 style & colour combinations.
- Classic and modern styles.
- Durable, low maintenance style without forfeiting quality.
- White cabinet interiors.

## Door Style Options

### HUNTSVILLE SHAKER

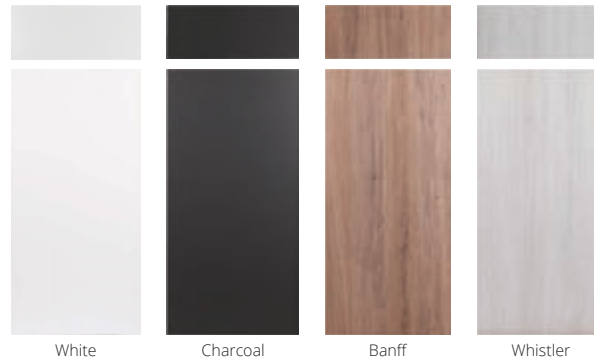


### INSPIRE SLAB



### METRO SLAB

Smooth, paint like finishes / True wood textures & grains

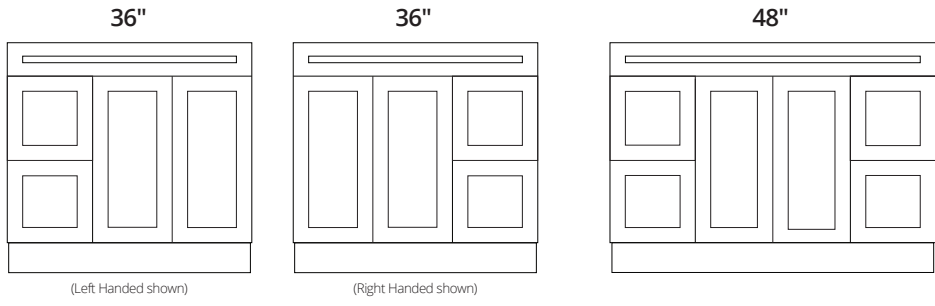
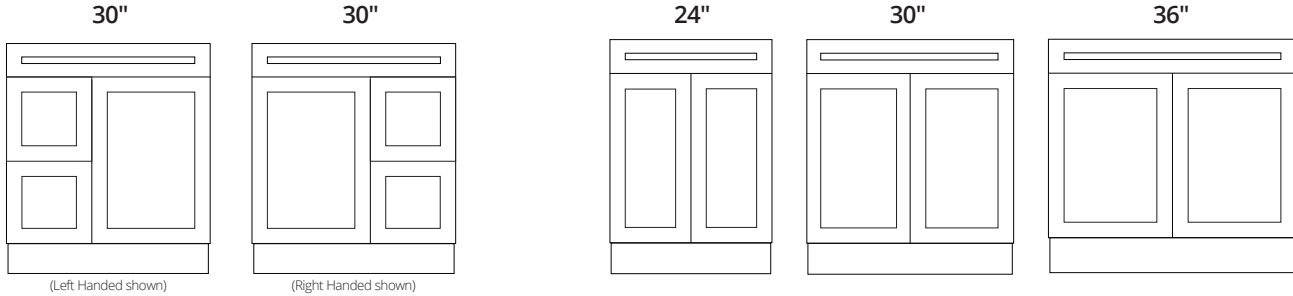


### Simcoe Raised Panel

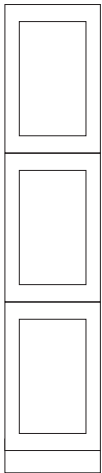


# Special Order Vanity Configuration Options Additional configurations available.

Each vanity is built at 34½" height and 21" deep. They use a 5" false front and recessed side gable/toe kick, and are not pre-drilled for hardware. Choose from a variety of vanity construction layouts and linen tower options. Additional components are available including decorative crown mouldings, mirrors and wall cabinets. Speak to your Cabinetsmith distributor for details.



## 15" Linen Tower L/R



36" | Inspire Black River with linen tower | Contempo Cultured White Marble | Custom Hardware | Select Series

# PURE series



Pure is synonymous with clean, sleek, modern, and timeless styles. We use pure to describe the clean white interiors and shelving for your vanity. We recommend matching these interiors with lighter door styles, such as White, or Whistler; or create a striking contrast by choosing coloured doors like Zambukka, or Java.

- Ecostyle doors, available in 30 style & colour combinations.
- Shaker & transitional designs.
- The look of re-purposed wood, unique colours, and textures.
- White cabinet box interiors.

## Door Style Options

### SMOOTH SHAKER

Matte, paint like finishes



White    Antique White    Ashen    Fossil    Java    Zambukka    Beach Glass    Marine Blue    Black    Verde

### WOODGRAIN SHAKER

True wood textures & grains



Whistler    Jasper    Banff    Canmore    Lake Louise    Point Pelee

### SMOOTH TRANSITIONAL

Matte, paint like finishes



White    Antique White    Ashen    Fossil    Java    Zambukka    Beach Glass    Marine Blue    Black    Verde

### WOODGRAIN TRANSITIONAL

True wood textures & grains



Whistler    Jasper    Banff    Canmore    Lake Louise    Point Pelee

\*Print colours may not be an exact representation of doors. See in-store samples prior to purchase.

# Special Order Vanity Configuration Options Additional configurations available.

Pure series vanities offer two setups, one is combos, the other is modular. Each vanity is built at 34½" height and 21" deep with a 6" false front. See your options below for information on layouts and sizing within each offering.

## PURE | WHITE

White Interior / White Exterior



NOTCHED GABLE

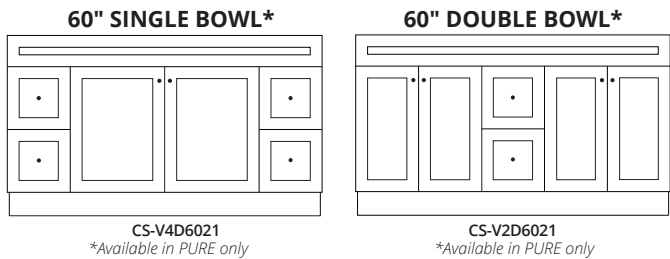
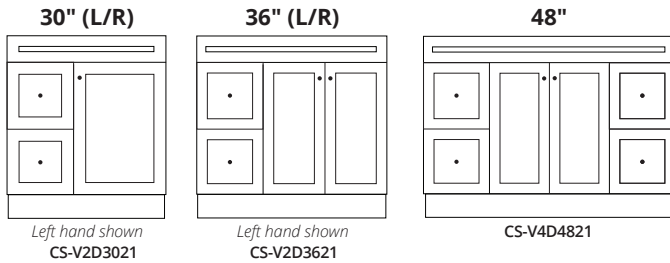
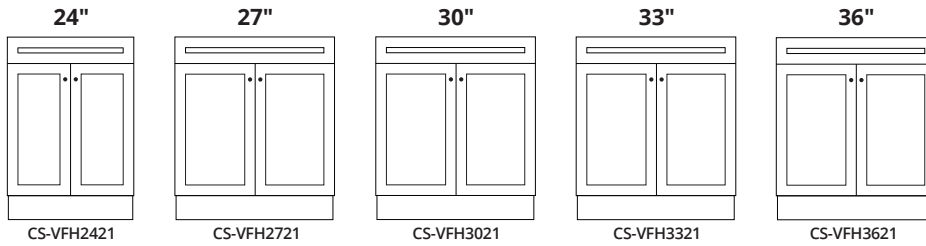


SOFTCLOSE DOORS

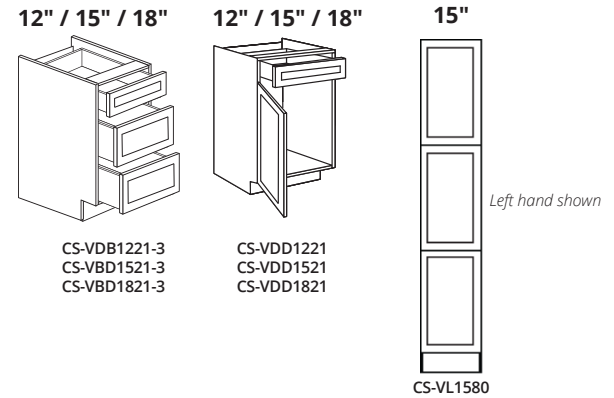


SOFTCLOSE DRAWERS

PURE VANITIES ARE NOT PRE-DRILLED FOR HARDWARE OR INCLUDE HARDWARE AS STANDARD. MUST BE ORDERED SEPARATELY.

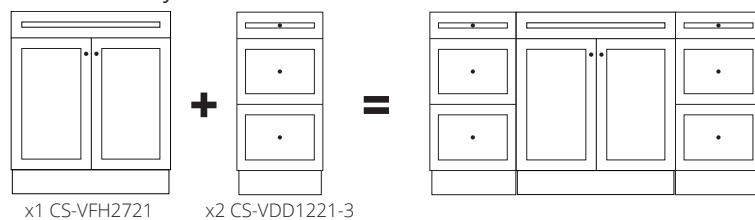


## ADDITIONAL MODULAR CABINETS



Modular Vanities act as separate cabinets which are used together to create a finished Vanity design.

**EXAMPLE:** Customer wants to fill a 51" space, and will be ordering a custom top. Using a **27" 2-Door Vanity** (CS-VFH271) paired with two **12" 3-Drawer Banks** (CS-VDB1221-3) I can make up the total space of 51" with plenty of storage and functionality.



*Make up odd size spacing with Filler Strips & don't forget your Toe Kick when ordering.*

# IMPRESSION series

Impression series doors are made of 99% post industrial recyclable material, with an antibacterial, moisture, heat, and scratch resistant surface. Sourced locally, to leave a small environmental footprint.



- Ecostyle doors, available in 16 style & colour combinations.
- Shaker & transitional designs.
- The look of re-purposed wood, unique colours, and textures.
- Maple cabinet box interiors.

## Door Style Options

### SMOOTH SHAKER

Matte, paint like finishes



White    Antique White    Ashen    Fossil    Java    Zambukka    Beach Glass    Marine Blue    Black    Verde

### WOODGRAIN SHAKER

True wood textures & grains



Whistler    Jasper    Banff    Canmore    Lake Louise    Point Pelee

### SMOOTH TRANSITIONAL

Matte, paint like finishes



White    Antique White    Ashen    Fossil    Java    Zambukka    Beach Glass    Marine Blue    Black    Verde

### WOODGRAIN TRANSITIONAL

True wood textures & grains



Whistler    Jasper    Banff    Canmore    Lake Louise    Point Pelee

\*Print colours may not be an exact representation of doors. See in-store samples prior to purchase.

# Special Order Vanity Configuration Options Additional configurations available.

IMPRESSION Series Vanities offer two choices in construction with **PURE White** and **Classic MAPLE**. Each vanity is built at 34½" height and 21" deep with a 6" false front. See your options below for information on layouts and sizing within each offering.



## CLASSIC | MAPLE

Maple Interior / Colour Matched Exterior

Maple is one of the most commonly used materials in home cabinetry. Known for its natural allure and warmer hue, maple compliments any look, whether it's traditional, rustic, or contemporary. Pair this interior finish with your choice of wood-like door styles such as Banff, or Canmore.

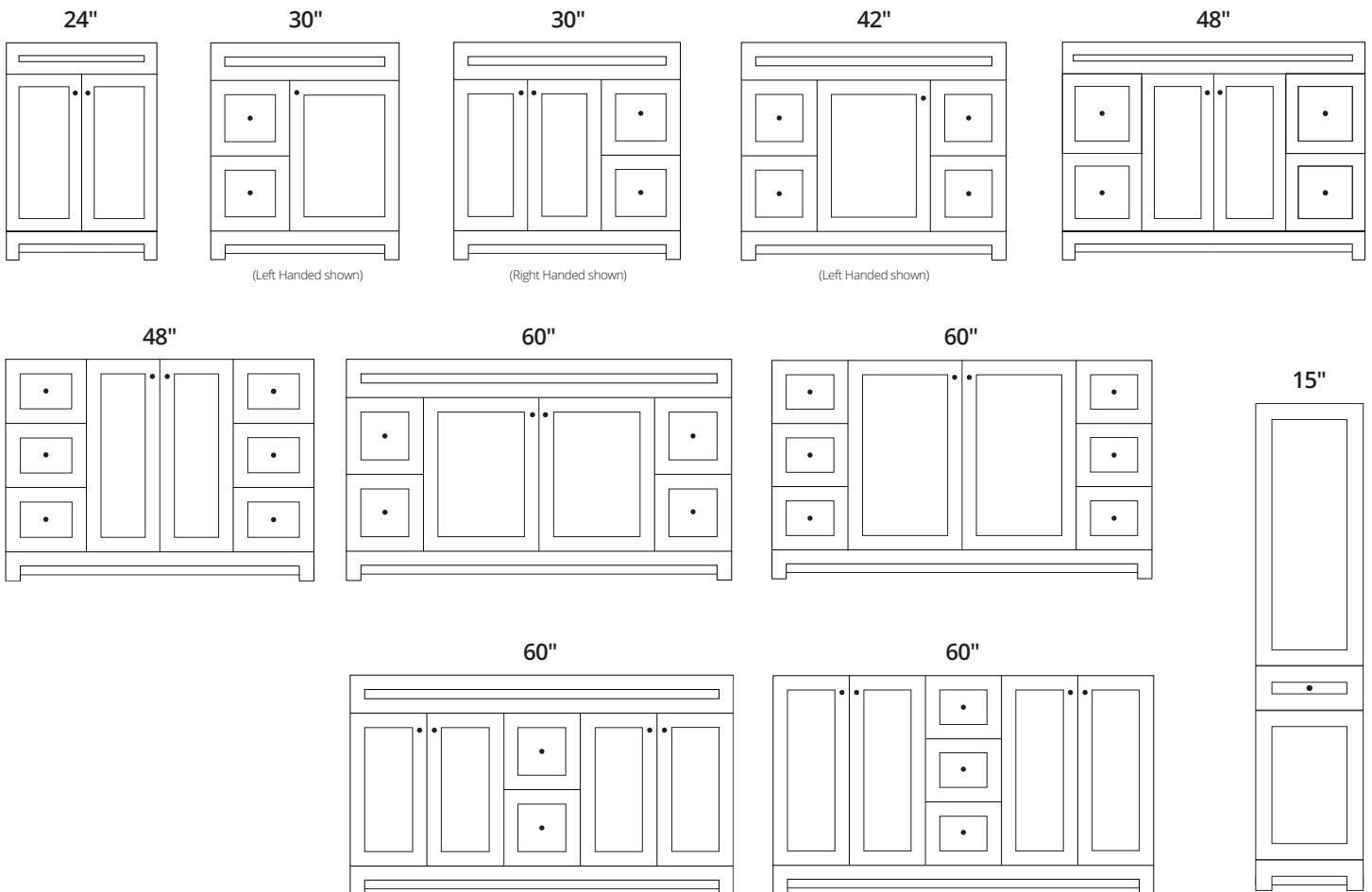
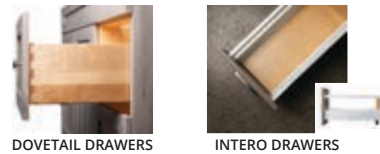
## KNOB/PULL HARDWARE OPTIONS

Classic Maple Vanities can be pre-drilled for knob or pull hardware. Also available not drilled.  
Hardware options: Canterbury Knob / Bar Handle (128mmCC) / Zinc Square Knob / D Handle (128mmCC)  
Finishes: Brushed Nickel, Brushed Brass, Matte Black or Oil Rubbed Bronze



## DRAWER OPTION UPGRADES

Upgrade to either Dovetail or Intero Drawers.  
\*Each upgrade has full extension, soft close.



# Vanity Top Options

Tops come as one piece with an integrated bowl.

## CONTEMPO

Contempo  
Cultured Marble  
White  
4" centre



Contempo vanity tops offer the stylish look you need to complete your vanity. Each top has a square bowl with a built in over flow and comes pre-drilled for 4" faucets.

Available in 25"W, 31"W, 37"W, 49"W, 61"W single, 61"W double; all in 22" depth.

## PRISM QUARTZ

Carrara White  
Single Hole



Our Prism Quartz Vanity Tops are fabricated from tough quartz aggregate, creating a surface that is harder and more scratch resistant than granite. Comes pre-drilled for single faucet hole.

Available in 25"W, 31"W, 37"W, 43"W, 49"W, 61"W single, 61"W double; all in 22" depth.

Porcelain White  
Single Hole



Single & double bowls are available with standard depth of 22-1/4".

Backsplash pieces are included.

\*Sidesplash pieces (21 1/2"L x 4 1/8"H x 5/8"W) sold separately.



Includes:  
Rectangular under mount porcelain bowl with an eased edge.

# Vanity Hardware

Our large selection of hardware will ensure you find the perfect finishing touch to your vanity.

## KNOBS



Canterbury Knob  
Brushed Nickel



Canterbury Knob  
Brushed Brass



Canterbury Knob  
Matte Black



Canterbury Knob  
Oil Rubbed Bronze



Zinc Knob  
Brushed Nickel



Zinc Knob  
Brushed Brass



Zinc Knob  
Matte Black



Zinc Knob  
Oil Rubbed Bronze

## PULLS

128CC



Bar Handle  
Brushed Nickel



Bar Handle  
Brushed Brass



Bar Handle  
Matte Black



Bar Handle  
Oil Rubbed Bronze



D Handle  
Brushed Nickel



D Handle  
Brushed Brass



D Handle  
Matte Black



D Handle  
Oil Rubbed Bronze

### 10 YEAR WORKMANSHIP AND WARRANTY

Cabinetsmith® Cabinetry warrants to the original consumer purchaser that our Kitchen and Vanity cabinetry will be free from defects in material and workmanship under normal use for a period of ten (10) years from date of purchase. Cabinetsmith® may elect to replace any defective Cabinetsmith® product covered by our Warranty. For other warranty details visit our website [www.cabinetsmith.ca](http://www.cabinetsmith.ca).