

1. PREPARATION

You must locate the high point in the floor where the cabinets will be installed. **Please refer to local building codes before installation.**

From this high point, measure up the wall and mark the top line of your base cabinets (34½") and the top line of your wall cabinets 83¾" if using 30"H wall cabinets, or 93¾" if using 40"H wall cabinets. (Fig. 1a)

Mark the outline of all cabinets on the wall to confirm cabinet fit.

Using a stud finder, locate the wall studs. Mark the centre of the wall studs at the top and bottom of the wall cabinet position. Most wall studs are located 16" apart. (Fig. 1b)

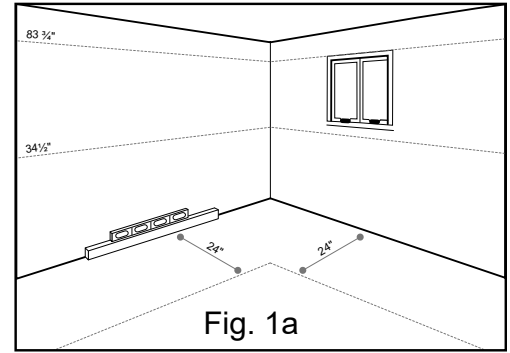


Fig. 1a

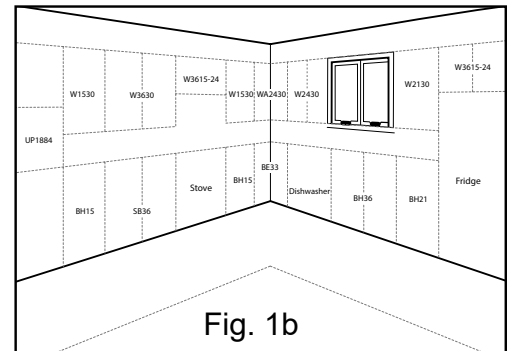


Fig. 1b

2. INSTALLING WALL CABINETS

Start with the corner wall cabinet.

Pre-drill the cabinet top and bottom rail to line up with the wall studs.

Fasten the corner cabinet loosely to the wall with 3" wood screws. Shim the cabinet to make it level and plumb. When the cabinet is perfectly plumb and level, tighten the screws. (Fig. 2a)

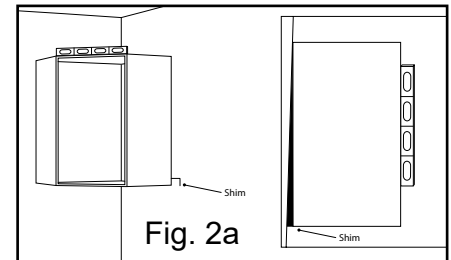


Fig. 2a

If you are using a Blind Corner Wall Cabinet, be sure to pull it out from the corner the distance indicated on your floor plan drawing.

To turn the corner from the installed Blind Corner Wall Cabinet, attach a filler strip trimmed to fit using 1½" screws to the side of the adjacent cabinet. Screw from the inside of the cabinet, and into the filler strip. (Fig. 2b)

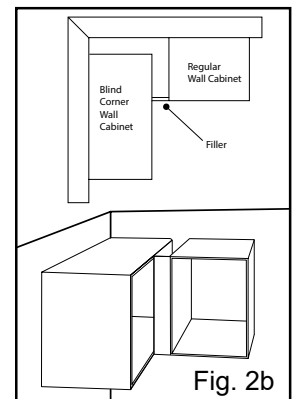


Fig. 2b

Continuing by installing adjacent wall cabinets. Pre-drill the back of the adjoining cabinet through the hanging rails to line up with the wall studs.

Position the adjoining cabinet so that the front edges of both cabinets are flush, using shims if necessary. Cabinets should always be plumb and level. Attach loosely to the wall, and attach the cabinets together using clamps.

Pre-drill four 1/8" diameter holes through one cabinet in the locations shown in the diagram. Do NOT penetrate the adjoining cabinet! Secure the cabinets together using 1-1/8" flathead screws and cup washers (not supplied). (Fig. 2c)

Finish by tightening the cabinet securely to the wall. Continue until all wall cabinets are installed.

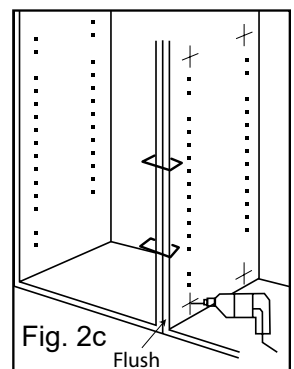


Fig. 2c

***Blu-motion Soft Close Notice:** 40" high doors require 2 soft close per door.

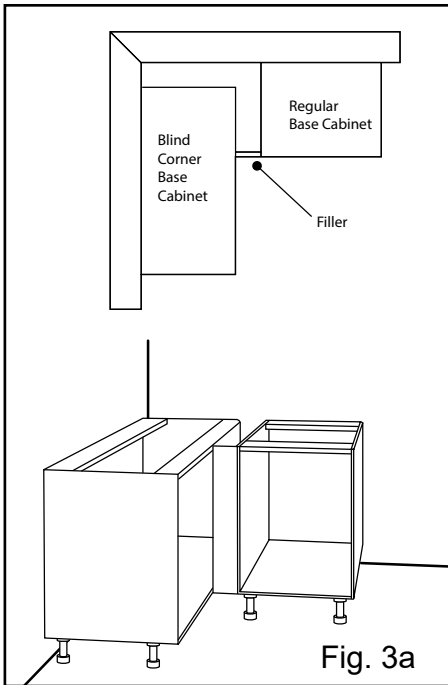


Fig. 3a

3. INSTALLING BASE CABINETS

Begin by installing the corner cabinet(s). Align the corner cabinet so that the top is level and even with the 34½" line marked on the wall. This is done by turning the adjustable legs (*Note: Screws are not supplied for legs). (Fig. 3a)

When the cabinet is in place and level, pre-drill pilot holes through the hanging rail at the rear of the cabinet, making sure they are aligned with the wall studs. Attach the cabinet loosely to the wall, making sure you hit the studs. Check that it is still level, and turn the adjustable legs if necessary. Tighten the screws.

Continue to install adjacent base cabinets, using the same technique you used to attach adjacent wall cabinets.

Blind Corner Base Cabinets: Be certain to pull a blind corner base cabinet out of the corner by the distance indicated on the floor plan. Attach a piece of 1x4 board (not supplied) to the wall at the 34½" mark to support the counter top. Use the same method described for Blind Corner Wall Cabinets to turn the corner.

If you plan to return the toe kick at the end of the base run, rather than use an end panel (desired method), then you must move the outside set of legs BEFORE installing the last base cabinet! See below. Edgetape is required to finish toekick edges if not mitred.

Toe Kick Flush with End Panel: If your base cabinet run does NOT end at a wall, then the desired method is to use a Dishwasher End Panel, and run the toe kick flush to the panel (Fig. 3b).

This method is the easiest, and also gives a superior looking finish to your cabinets.

If you wish to **return the toe kick** (no end panel), then this can be done simply by turning the front and rear

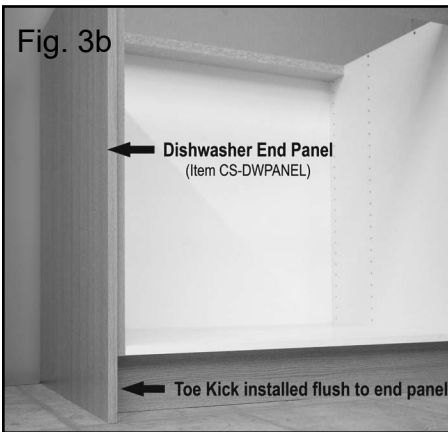


Fig. 3b

installation cups a 1/4 turn (fig 3c).

Once you have made this adjustment it will allow the kick to return with a 3/4" offset.

Once all cabinets are installed, you may install any finishing touches, such as crown mouldings and light valances. To install refrigerator and dishwasher end panels, use angle brackets (not supplied).



Leg adjustments - Min 3³/₁₆"
Max 5¹/₄"



Adjustable Leg Kick Clip
*Screws are not supplied for adjustable legs.

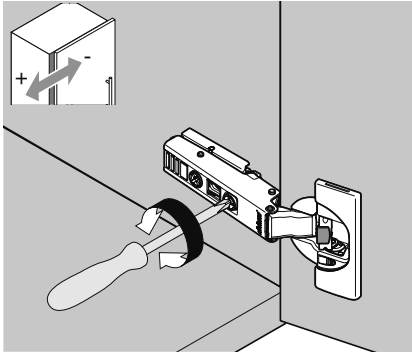


Fig. 3c

CLIP-TOP BLUMOTION DOOR ADJUSTMENT

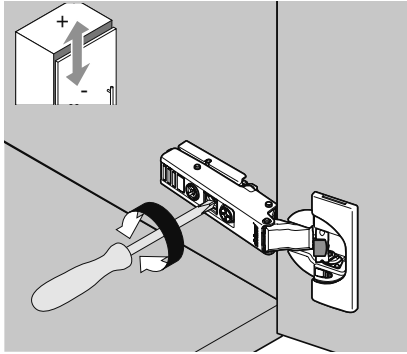
Three-dimensional adjustment

SIDE TO SIDE ADJUSTMENT



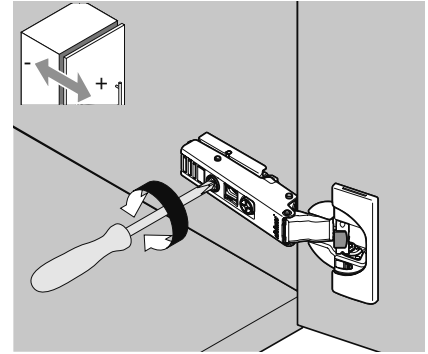
Using a phillips head screwdriver, turn the adjustment screw clockwise and counter clockwise to move the door - the direction of turn and it's effect is dependent on which the side of the door the hinge is attached.

HEIGHT ADJUSTMENT



This adjustment involves two screws, one to the top and one to the bottom of the clip. Loosen the screws slightly and then lift or lower the door until it is in the position you want. Re-tighten the screws to secure the door.

DEPTH ADJUSTMENT



Use this screw to adjust how far out or in the doors are in comparison to your cabinet and to the other cabinet doors and drawers surrounding it. Loosen the screw and manually push or pull the door to adjust it. Re-tighten the screw when the door is in the position you want.

BLUM METABOX DRAWER

Adjustment

DRAWER FRONT HEIGHT ADJUSTMENT



This adjustment involves two front fixing brackets. Each front fixing bracket has two screws, one at the top and one at the bottom.

Step 1) Loosen the top screws slightly .

Step 2) Use the bottom screws to adjust the height of the drawer front.

Step 3) Re-tighten the top screws to secure the drawer front in place.

INTERO DRAWER

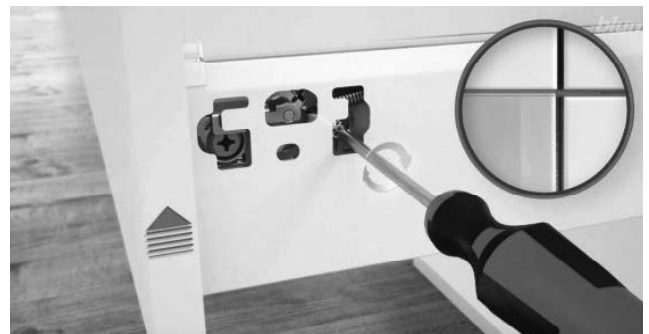
Two-dimensional adjustment

SIDE TO SIDE ADJUSTMENT



Using a phillips head screwdriver, turn the front adjustment screw clockwise and counter clockwise to move the drawer.

HEIGHT ADJUSTMENT

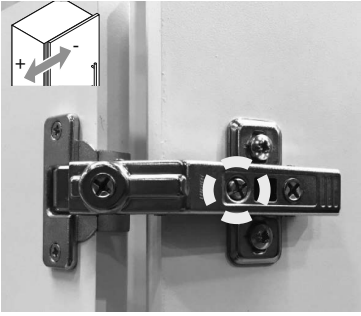


Using a phillips head screwdriver, turn the rear adjustment screw clockwise and counter clockwise to move the drawer.

BIFOLD BLUM DOOR ADJUSTMENT

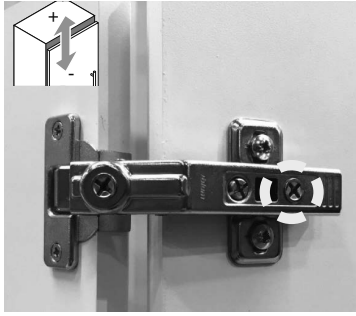
Three-dimensional adjustment

SIDE TO SIDE ADJUSTMENT



Using a phillips head screwdriver, turn the adjustment screw clockwise and counter clockwise to move the door - the direction of turn and it's effect is dependent on which the side of the door the hinge is attached.

HEIGHT ADJUSTMENT



Using a phillips head screwdriver, turn the adjustment screw clockwise and counter clockwise to move the door - the direction of turn and it's effect is dependent on which the side of the door the hinge is attached.

DEPTH ADJUSTMENT



Use this screw to adjust how far out or in the doors are in comparison to your cabinet and to the other cabinet doors and drawers surrounding it. Loosen the screw and manually push or pull the door to adjust it. Re-tighten the screw when the door is in the position you want.



DOVETAIL DRAWER

Adjustment / Installation Instruction

**Cabinetsmith recommends having dovetail cabinetry and vanities installed professionally to ensure a true square fit.*

HEIGHT ADJUSTMENT

Step 1) Underneath the dovetail drawer, locate the Blum dovetail clip.

Step 2) Press small grey tab in and slide forward for height adjustment (up to 2mm).

**Drawer fronts can only move +/- 2mm height. Anything more than that, or if side-to-side adjustment is required, the front needs to be removed from the Dovetail box by removing the screws, realign, and then screw back onto the dovetail drawer box.*



DRAWER FRONT INSTALLATION

Ensure your cabinets are installed square and leveled. If your cabinets are not level it will cause your drawers to appear off-set. If your cabinets are square and leveled and the drawer fronts still require adjustment please take the following steps.

Step 1) Pull open drawer

Step 2) From the inside of the drawer, unscrew the back of the drawer front. (Fig 1)

Step 3) Adjust the drawer front to be as square as possible. We recommend starting from the lowest drawer on the cabinet and ensuring it is flush with the bottom of your cabinet. (Using a clamp or tack to ensure the drawer front does not move during this step can help)

Step 4) Tighten drawer front screws.

Step 5) Repeat Steps 1-4 for each drawer that requires adjustment.



(Fig 1)

Cabinetsmith 
style • quality • affordability

www.cabinetsmith.ca